

**Robert Bosch Power Tools GmbH**  
70538 Stuttgart  
GERMANY

[www.bosch-pt.com](http://www.bosch-pt.com)

**1 609 92A 1X0** (2014.01) O / 43 **ASIA**



1 609 92A 1X0

## GSS Professional

14,4 V-Li | 18 V-Li



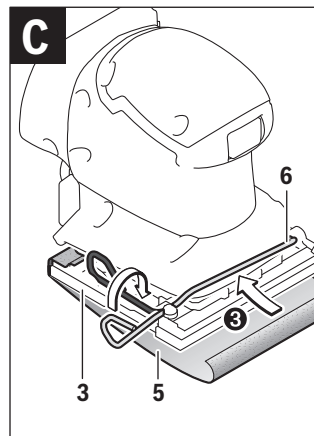
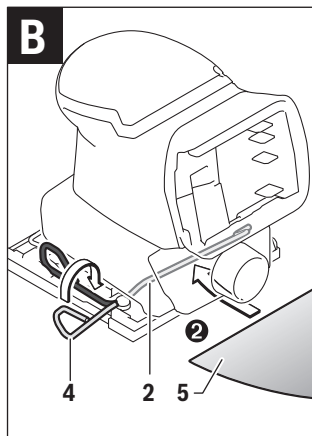
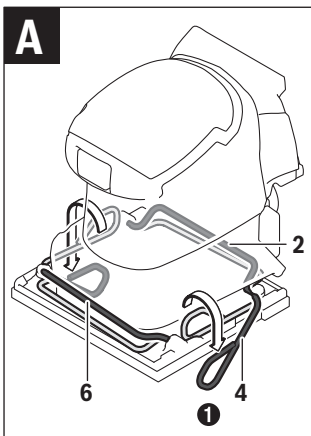
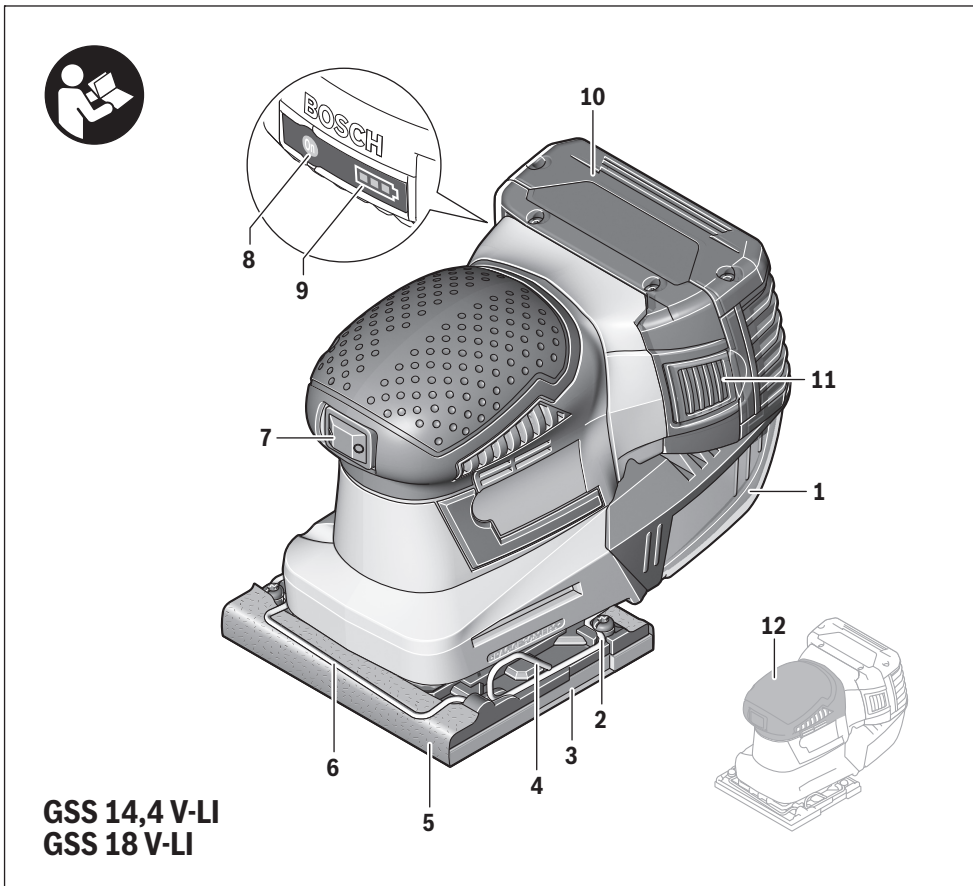
- en** Original instructions
- cn** 正本使用说明书
- tw** 原始使用說明書
- ko** 사용 설명서 원본
- th** หนังสือคู่มือการใช้งานฉบับต้นแบบ
- id** Petunjuk-Petunjuk untuk Penggunaan Orisinal
- vi** Bản gốc hướng dẫn sử dụng



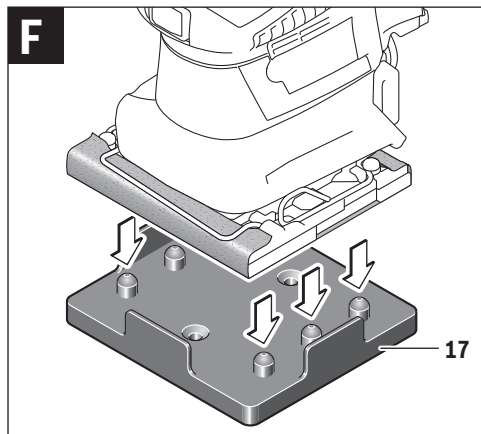
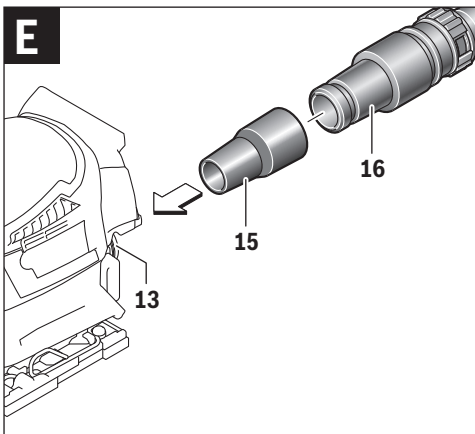
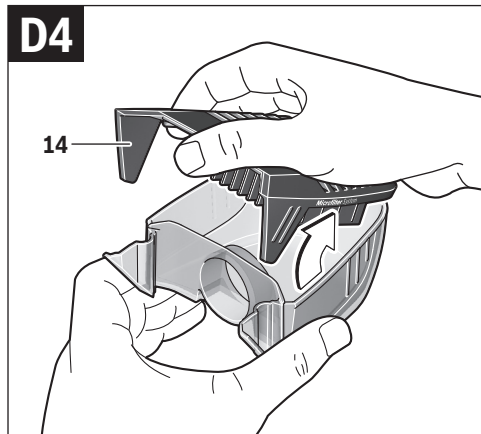
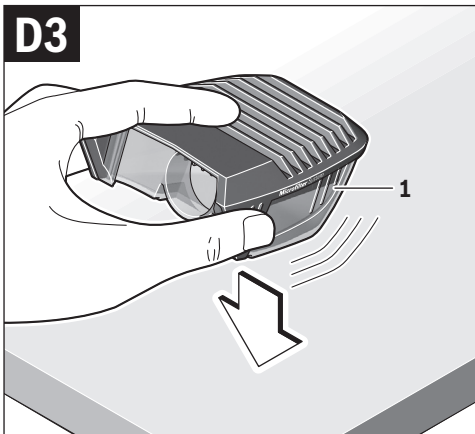
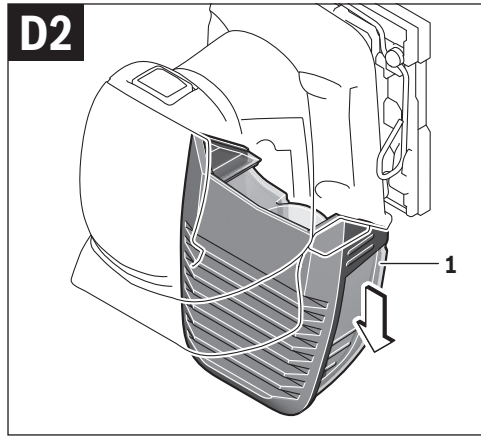
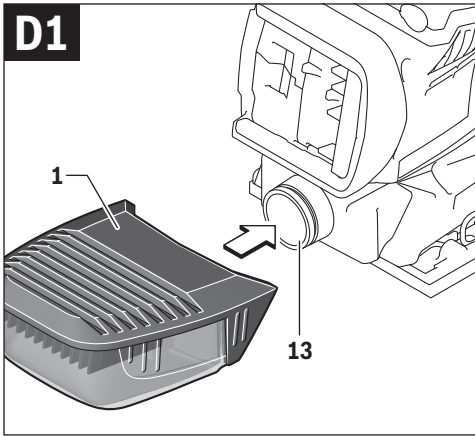


English ..... Page 5  
 中文 . . . . . 页 10  
 中文 . . . . . 頁 15  
 한국어 . . . . . 페이지 19  
 ภาษาไทย..... หน้า 24  
 Bahasa Indonesia ..... Halaman 30  
 Tiếng Việt . . . . . Trang 35





4 |



## English

### Safety Notes

#### General Power Tool Safety Warnings

**⚠ WARNING** Read all safety warnings and all instructions. Failure to follow the warnings and instructions may result in electric shock, fire and/or serious injury.

#### Save all warnings and instructions for future reference.

The term "power tool" in the warnings refers to your mains-operated (corded) power tool or battery-operated (cordless) power tool.

#### Work area safety

- ▶ **Keep work area clean and well lit.** Cluttered or dark areas invite accidents.
- ▶ **Do not operate power tools in explosive atmospheres, such as in the presence of flammable liquids, gases or dust.** Power tools create sparks which may ignite the dust or fumes.
- ▶ **Keep children and bystanders away while operating a power tool.** Distractions can cause you to lose control.

#### Electrical safety

- ▶ **Power tool plugs must match the outlet. Never modify the plug in any way. Do not use any adapter plugs with earthed (grounded) power tools.** Unmodified plugs and matching outlets will reduce risk of electric shock.
- ▶ **Avoid body contact with earthed or grounded surfaces, such as pipes, radiators, ranges and refrigerators.** There is an increased risk of electric shock if your body is earthed or grounded.
- ▶ **Do not expose power tools to rain or wet conditions.** Water entering a power tool will increase the risk of electric shock.
- ▶ **Do not abuse the cord. Never use the cord for carrying, pulling or unplugging the power tool. Keep cord away from heat, oil, sharp edges and moving parts.** Damaged or entangled cords increase the risk of electric shock.
- ▶ **When operating a power tool outdoors, use an extension cord suitable for outdoor use.** Use of a cord suitable for outdoor use reduces the risk of electric shock.
- ▶ **If operating a power tool in a damp location is unavoidable, use a residual current device (RCD) protected supply.** Use of an RCD reduces the risk of electric shock.

#### Personal safety

- ▶ **Stay alert, watch what you are doing and use common sense when operating a power tool. Do not use a power tool while you are tired or under the influence of drugs, alcohol or medication.** A moment of inattention while operating power tools may result in serious personal injury.
- ▶ **Use personal protective equipment. Always wear eye protection.** Protective equipment such as dust mask, non-skid safety shoes, hard hat, or hearing protection used for appropriate conditions will reduce personal injuries.

- ▶ **Prevent unintentional starting. Ensure the switch is in the off-position before connecting to power source and/or battery pack, picking up or carrying the tool.** Carrying power tools with your finger on the switch or energising power tools that have the switch on invites accidents.
- ▶ **Remove any adjusting key or wrench before turning the power tool on.** A wrench or a key left attached to a rotating part of the power tool may result in personal injury.
- ▶ **Do not overreach. Keep proper footing and balance at all times.** This enables better control of the power tool in unexpected situations.
- ▶ **Dress properly. Do not wear loose clothing or jewellery. Keep your hair, clothing and gloves away from moving parts.** Loose clothes, jewellery or long hair can be caught in moving parts.
- ▶ **If devices are provided for the connection of dust extraction and collection facilities, ensure these are connected and properly used.** Use of dust collection can reduce dust-related hazards.

#### Power tool use and care

- ▶ **Do not force the power tool. Use the correct power tool for your application.** The correct power tool will do the job better and safer at the rate for which it was designed.
- ▶ **Do not use the power tool if the switch does not turn it on and off.** Any power tool that cannot be controlled with the switch is dangerous and must be repaired.
- ▶ **Disconnect the plug from the power source and/or the battery pack from the power tool before making any adjustments, changing accessories, or storing power tools.** Such preventive safety measures reduce the risk of starting the power tool accidentally.
- ▶ **Store idle power tools out of the reach of children and do not allow persons unfamiliar with the power tool or these instructions to operate the power tool.** Power tools are dangerous in the hands of untrained users.
- ▶ **Maintain power tools. Check for misalignment or binding of moving parts, breakage of parts and any other condition that may affect the power tool's operation. If damaged, have the power tool repaired before use.** Many accidents are caused by poorly maintained power tools.
- ▶ **Keep cutting tools sharp and clean.** Properly maintained cutting tools with sharp cutting edges are less likely to bind and are easier to control.
- ▶ **Use the power tool, accessories and tool bits etc. in accordance with these instructions, taking into account the working conditions and the work to be performed.** Use of the power tool for operations different from those intended could result in a hazardous situation.

#### Battery tool use and care

- ▶ **Recharge only with the charger specified by the manufacturer.** A charger that is suitable for one type of battery pack may create a risk of fire when used with another battery pack.

## 6 | English

- ▶ **Use power tools only with specifically designated battery packs.** Use of any other battery packs may create a risk of injury and fire.
- ▶ **When battery pack is not in use, keep it away from other metal objects, like paper clips, coins, keys, nails, screws or other small metal objects, that can make a connection from one terminal to another.** Shorting the battery terminals together may cause burns or a fire.
- ▶ **Under abusive conditions, liquid may be ejected from the battery; avoid contact. If contact accidentally occurs, flush with water. If liquid contacts eyes, additionally seek medical help.** Liquid ejected from the battery may cause irritation or burns.

**Service**

- ▶ **Have your power tool serviced by a qualified repair person using only identical replacement parts.** This will ensure that the safety of the power tool is maintained.

**Safety Warnings for Sander**

- ▶ **Use the machine only for dry sanding.** Penetration of water into the machine increases the risk of an electric shock.
- ▶ **Caution, fire hazard! Avoid overheating the object being sanded as well as the sander. Always empty the dust collector before taking breaks.** In unfavourable conditions, e. g., when sparks emit from sanding metals, sanding debris in the dust bag, micro filter or paper sack (or in the filter sack or filter of the vacuum cleaner) can self-ignite. Particularly when mixed with remainders of varnish, polyurethane or other chemical materials and when the sanding debris is hot after long periods of working.
- ▶ **Secure the workpiece.** A workpiece clamped with clamping devices or in a vice is held more secure than by hand.
- ▶ **Keep your workplace clean.** Blends of materials are particularly dangerous. Dust from light alloys can burn or explode.
- ▶ **Do not open the battery.** Danger of short-circuiting.



**Protect the battery against heat, e. g., against continuous intense sunlight, fire, water, and moisture.** Danger of explosion.

- ▶ **In case of damage and improper use of the battery, vapours may be emitted. Ventilate the area and seek medical help in case of complaints.** The vapours can irritate the respiratory system.

- ▶ **Use the battery only in conjunction with your Bosch product.** This measure alone protects the battery against dangerous overload.
- ▶ **The battery can be damaged by pointed objects such as nails or screwdrivers or by force applied externally.** An internal short circuit can occur and the battery can burn, smoke, explode or overheat.

**Product Description and Specifications**

**Read all safety warnings and all instructions.** Failure to follow the warnings and instructions may result in electric shock, fire and/or serious injury.

**Intended Use**

The machine is intended for dry sanding of wood, plastic, filler and coated surfaces.

**Product Features**

The numbering of the product features refers to the illustration of the machine on the graphics page.

- 1 Dust box, complete (Microfilter System)
- 2 Rear clamping bracket
- 3 Sanding plate
- 4 Sanding-sheet clamps (2x)
- 5 Sanding sheet\*
- 6 Front clamping bracket
- 7 On/Off switch
- 8 Button for charge-control indicator\*
- 9 Battery charge-control indicator\*
- 10 Battery pack
- 11 Battery unlocking button
- 12 Handle (insulated gripping surface)
- 13 Extraction outlet
- 14 Filter element (Microfilter System)\*
- 15 Extraction adapter\*
- 16 Vacuum hose\*
- 17 Perforating tool\*

\*Accessories shown or described are not part of the standard delivery scope of the product. A complete overview of accessories can be found in our accessories program.

**Technical Data**

Orbital sander		GSS 14,4 V-LI	GSS 18 V-LI
Article number		3 601 JD0 1..	3 601 JD0 2..
Rated voltage	V=	14.4	18
No-load speed	min <sup>-1</sup>	11 000	11 000
No-load orbital stroke rate	min <sup>-1</sup>	22 000	22 000
Sanding sheet surface	cm <sup>2</sup>	114.7	114.7

\*dependent of the battery pack being used

English | 7

Orbital sander		GSS 14,4 V-Li	GSS 18 V-Li
Orbit diameter	mm	1.6	1.6
Dimensions	mm	199.5 x 113 x 141	199.5 x 113 x 141
Weight according to EPTA-Procedure 01:2014	kg	1.2/1.4*	1.3/1.5*

\*dependent of the battery pack being used

Battery		GSS 14,4 V-Li	GSS 18 V-Li
Permitted ambient temperature			
– when charging	°C	0...+45	0...+45
– during operation*	°C	–20...+50	–20...+50
– during storage	°C	–20...+60	–20...+60
Recommended batteries		GBA 14,4V x,xAh M-	GBA 18V x,xAh M-

\* Limited performance at temperatures &lt;0 °C

## Assembly

- ▶ **Before any work on the machine (e. g. maintenance, changing the tool, etc.) as well as during its transport and storage, lock the On/Off switch in the off position.**

There is danger of injury when the On/Off switch is unintentionally actuated.

## Battery Charging

- ▶ **Use only the battery chargers listed on the accessories page.** Only these battery chargers are matched to the lithium ion battery of your power tool.

**Note:** The battery is supplied partially charged. To ensure full capacity of the battery, completely charge the battery in the battery charger before using your power tool for the first time.

The lithium-ion battery can be charged at any time without reducing its service life. Interrupting the charging procedure does not damage the battery.

The lithium ion battery is protected against deep discharging by the "Electronic Cell Protection (ECP)". When the battery is empty, the machine is switched off by means of a protective circuit: The inserted tool no longer rotates.

- ▶ **Do not continue to press the On/Off switch after the machine has been automatically switched off.** The battery can be damaged.

To remove the battery **10**, press the unlocking button **11** and pull the battery sideways out of the power tool. **Do not exert any force.**

Observe the notes for disposal.

## Replacing the Sanding Sheet

When attaching a new sanding sheet, remove any dust or debris from the sanding plate **3** (e. g. with a brush).

To ensure optimum dust extraction, pay attention that the punched holes in the sanding sheet match with the holes in the sanding plate.

### Sanding Sheets without Velcro Backing (see figure A – C)

- 1 Unlock both sanding-sheet clamps **4** and swivel them downwards.
- 2 Insert the sanding sheet **5** under the rear clamping bracket **2**. Ensure that the sanding sheet **5** is not too short and that it is correctly clamped. Swivel the sand-

ing-sheet clamp **4** back into the starting position and lock it there.

- 3 Place the sanding paper taut around the sanding plate **3**. Clamp the front part of the sanding sheet under the front clamping bracket **6**. Ensure that the sanding sheet **5** is not too short and that it is correctly clamped. Swivel the sanding-sheet clamp **4** back into the starting position and lock it there.

Sanding sheets without holes, e. g. from rolls or by the meter, can be punctured with the perforating tool **17**. For this, push the power tool with the sanding sheet mounted onto the perforating tool (see figure F).

To remove the sanding sheet **5**, unlock both sanding-sheet clamps **4** and pull the sanding sheet out of its holder.

### Selecting the Sanding Sheet

Depending on the material to be worked and the required rate of material removal, different sanding sheets are available:

		Grain size	
<b>red:Wood</b>	<b>For the working of all wooden materials</b>		<b>40–180</b>
	For coarse-sanding, e. g. of rough, unplanned beams and boards	coarse	40
	For face sanding and planing small irregularities	medium	80, 120
For finish and fine sanding of wood	fine	180	
<b>white:Paint</b>	<b>For the working of paint/enamel coats or primers and fillers</b>		<b>40–180</b>
	For sanding off paint	coarse	40
	For sanding primer	medium	80, 120
For final sanding of primers before coating	fine	180	

For reworking or polishing, especially of metal and stone, use fleece/polishing cloth pad.

Depending on the desired surface quality of the workpiece, different fleece types or polishing cloth pads are to be used.

## 8 | English

**Dust/Chip Extraction**

- ▶ Dusts from materials such as lead-containing coatings, some wood types, minerals and metal can be harmful to one's health. Touching or breathing-in the dusts can cause allergic reactions and/or lead to respiratory infections of the user or bystanders.

Certain dusts, such as oak or beech dust, are considered as carcinogenic, especially in connection with wood-treatment additives (chromate, wood preservative). Materials containing asbestos may only be worked by specialists.

- As far as possible, use a dust extraction system suitable for the material.
- Provide for good ventilation of the working place.
- It is recommended to wear a P2 filter-class respirator.

Observe the relevant regulations in your country for the materials to be worked.

- ▶ **Prevent dust accumulation at the workplace.** Dusts can easily ignite.

**Integrated Dust Extraction with Dust Box (see figures D1 – D4)**

Attach the dust box **1** onto the extraction outlet **13** until it latches.

To empty the dust box **1**, pull off the dust box downward.

Before opening the dust box **1**, it is recommended to loosen the dust from the filter element by gently striking it against a firm support (as shown in the figure).

Grasp the dust box **1** by the recessed grip, fold the filter element **14** upward and empty the dust box. Clean the thin plates of the filter element **14** with a soft brush.

**External Dust Extraction (see figure E)**

Slide the extraction adapter **15** onto the outlet piece **13**. Ensure that the latching levers of the extraction adapter engage. The extraction adapter **15** accepts a vacuum hose with a diameter of 19 mm.

An overview for connecting to different vacuum cleaners can be found at the end of these operating instructions.

For removal of the extraction adapter **15**, press the latching levers together at the rear and pull the extraction adapter off.

The vacuum cleaner must be suitable for the material being worked.

When vacuuming dry dust that is especially detrimental to health or carcinogenic, use a special vacuum cleaner.

**Operation****Starting Operation****Inserting the battery**

- ▶ **Use only original Bosch lithium ion batteries with the voltage listed on the nameplate of your power tool.** Using other batteries can lead to injuries and pose a fire hazard.

**Switching On and Off**

To **start** the machine, tilt the On/Off switch **7** toward the right to the "I" position.

To **switch off** the machine, tilt the On/Off switch **7** toward the left to the "0" position.

**Battery Charge-control Indication (see figure A)**

The three green LEDs of the battery charge-control indicator **9** indicate the charge condition of the battery **10**. For safety reasons, it is only possible to check the status of the charge condition when the machine is at a standstill.

Press button **8** to indicate the charge condition. This is also possible when the battery **10** is removed.

LED	Capacity
Continuous lighting 3 x green	≥ 2/3
Continuous lighting 2 x green	≥ 1/3
Continuous lighting 1 x green	< 1/3
Flashing light 1 x green	Reserve

When no LED lights up after pushing button **8**, then the battery is defective and must be replaced.

**Temperature Dependent Overload Protection**

When using as intended for, the power tool cannot be subject to overload. When the load is too high or the allowable battery temperature of 65 °C is exceeded, the electronic control switches off the power tool until the temperature is in the optimum temperature range again.

**Working Advice**

- ▶ **Wait until the machine has come to a standstill before placing it down.**

The removal capacity during sanding is mainly determined by the selection of the sanding sheet.

Only flawless sanding sheets achieve good sanding capacity and extend the service life of the machine.

Pay attention to apply uniform sanding pressure; this increases the working life of the sanding sheets.

Intensifying the sanding pressure does not lead to an increase of the sanding capacity, but to increased wear of the machine and the sanding sheet.

A sanding sheet that has been used for metal should not be used for other materials.

Use only original Bosch sanding accessories.

**Recommendations for Optimal Handling of the Battery**

Protect the battery against moisture and water.

Store the battery only within a temperature range between 0 °C and 50 °C. As an example, do not leave the battery in the car in summer.

Occasionally clean the venting slots of the battery using a soft, clean and dry brush.

A significantly reduced working period after charging indicates that the battery is used and must be replaced.

Observe the notes for disposal.



## Maintenance and Service

### Maintenance and Cleaning

- **Before any work on the machine (e. g. maintenance, changing the tool, etc.) as well as during its transport and storage, lock the On/Off switch in the off position.**

There is danger of injury when the On/Off switch is unintentionally actuated.

- **For safe and proper working, always keep the machine and ventilation slots clean.**

When the battery is no longer operative, please refer to an authorised after-sales service agent for Bosch power tools.

### After-sales Service and Application Service

Our after-sales service responds to your questions concerning maintenance and repair of your product as well as spare parts. Exploded views and information on spare parts can also be found under:

#### **www.bosch-pt.com**

Bosch's application service team will gladly answer questions concerning our products and their accessories.

In all correspondence and spare parts order, please always include the 10-digit article number given on the type plate of the machine.

### People's Republic of China

#### **China Mainland**

Bosch Power Tools (China) Co., Ltd.  
567, Bin Kang Road  
Bin Jiang District 310052  
Hangzhou, P. R. China  
Service Hotline: 4008268484  
Fax: (0571) 87774502  
E-Mail: contact.ptcn@cn.bosch.com  
www.bosch-pt.com.cn

#### **HK and Macau Special Administrative Regions**

Robert Bosch Hong Kong Co. Ltd.  
21st Floor, 625 King's Road  
North Point, Hong Kong  
Customer Service Hotline: +852 2101 0235  
Fax: +852 2590 9762  
E-Mail: info@hk.bosch.com  
www.bosch-pt.com.hk

#### **Indonesia**

PT. Multi Mayaka  
Kawasan Industri Pulogadung  
Jalan Rawa Gelam III No. 2  
Jakarta 13930  
Indonesia  
Tel.: (021) 46832522  
Fax: (021) 46828645/6823  
E-Mail: sales@multimayaka.co.id  
www.bosch-pt.co.id

#### **Philippines**

Robert Bosch, Inc.  
28th Floor Fort Legend Towers,  
3rd Avenue corner 31st Street,  
Fort Bonifacio Global City,  
1634 Taguig City, Philippines  
Tel.: (02) 8703871  
Fax: (02) 8703870  
matheus.contiero@ph.bosch.com  
www.bosch-pt.com.ph

Bosch Service Center:  
9725-27 Kamagong Street  
San Antonio Village  
Makati City, Philippines  
Tel.: (02) 8999091  
Fax: (02) 8976432  
rosalie.dagdagan@ph.bosch.com

#### **Malaysia**

Robert Bosch (S.E.A.) Sdn. Bhd.  
No. 8A, Jalan 13/6  
G.P.O. Box 10818  
46200 Petaling Jaya  
Selangor, Malaysia  
Tel.: (03) 79663194  
Fax: (03) 79583838  
cheehoe.on@my.bosch.com  
Toll-Free: 1800 880188  
www.bosch-pt.com.my

#### **Thailand**

Robert Bosch Ltd.  
Liberty Square Building  
No. 287, 11 Floor  
Silom Road, Bangrak  
Bangkok 10500  
Tel.: 02 6393111, 02 6393118  
Fax: 02 2384783  
Robert Bosch Ltd., P. O. Box 2054  
Bangkok 10501, Thailand  
www.bosch.co.th

Bosch Service – Training Centre  
La Salle Tower Ground Floor Unit No.2  
10/11 La Salle Moo 16  
Srinakharin Road  
Bangkaew, Bang Plee  
Samutprakarn 10540  
Thailand  
Tel.: 02 7587555  
Fax: 02 7587525

#### **Singapore**

Robert Bosch (SEA) Pte. Ltd.  
11 Bishan Street 21  
Singapore 573943  
Tel.: 6571 2772  
Fax: 6350 5315  
leongheng.leow@sg.bosch.com  
Toll-Free: 1800 3338333  
www.bosch-pt.com.sg

**10 | 中文****Vietnam**

Robert Bosch Vietnam Co. Ltd  
 10/F, 194 Golden Building  
 473 Dien Bien Phu Street  
 Ward 25, Binh Thanh District  
 84 Ho Chi Minh City  
 Vietnam  
 Tel.: (08) 6258 3690 ext. 413  
 Fax: (08) 6258 3692  
 hieu.lagia@vn.bosch.com  
 www.bosch-pt.com

**Australia, New Zealand and Pacific Islands**

Robert Bosch Australia Pty. Ltd.  
 Power Tools  
 Locked Bag 66  
 Clayton South VIC 3169  
 Customer Contact Center  
 Inside Australia:  
 Phone: (01300) 307044  
 Fax: (01300) 307045  
 Inside New Zealand:  
 Phone: (0800) 543353  
 Fax: (0800) 428570  
 Outside AU and NZ:  
 Phone: +61 3 95415555  
 www.bosch.com.au

**Transport**

The contained lithium-ion batteries are subject to the Dangerous Goods Legislation requirements. The user can transport the batteries by road without further requirements.

When being transported by third parties (e.g.: air transport or forwarding agency), special requirements on packaging and labelling must be observed. For preparation of the item being shipped, consulting an expert for hazardous material is required.

Dispatch batteries only when the housing is undamaged. Tape or mask off open contacts and pack up the battery in such a manner that it cannot move around in the packaging. Please also observe possibly more detailed national regulations.

**Disposal**

The machine, rechargeable batteries, accessories and packaging should be sorted for environmental-friendly recycling.

Do not dispose of power tools and batteries/rechargeable batteries into household waste!

Batteries no longer suitable for use can be directly returned at:

**Great Britain**

Robert Bosch Ltd. (B.S.C.)  
 P.O. Box 98  
 Broadwater Park  
 North Orbital Road  
 Denham  
 Uxbridge  
 UB 9 5HJ

At www.bosch-pt.co.uk you can order spare parts or arrange the collection of a product in need of servicing or repair.

Tel. Service: (0844) 7360109

E-Mail: boschservicecentre@bosch.com

**Battery packs/batteries:****Li-ion:**

Please observe the instructions in section "Transport", page 10.

Subject to change without notice.

**中文****安全规章****电动工具通用安全警告**

**警告！** 阅读所有警告和所有说明！不遵照以下警告和说明会导致电击、着火和/或严重伤害。

保存所有警告和说明书以备查阅。

在所有下列的警告中术语“电动工具”指市电驱动（有线）电动工具或电池驱动（无线）电动工具。

**工作场地的安全**

- ▶ 保持工作场地清洁和明亮。混乱和黑暗的场地会引发事故。
- ▶ 不要在易爆环境，如有易燃液体、气体或粉尘的环境下操作电动工具。电动工具产生的火花会点燃粉尘或气体。
- ▶ 让儿童和旁观者离开后操作电动工具。注意力不集中会使操作者失去对工具的控制。

**电气安全**

- ▶ 电动工具插头必须与插座相配。绝不能以任何方式改装插头。需接地的电动工具不能使用任何转换插头。未经改装的插头和相配的插座将减少电击危险。
- ▶ 避免人体接触接地表面，如管道、散热片和冰箱。如果你身体接地会增加电击危险。
- ▶ 不得将电动工具暴露在雨中或潮湿环境中。水进入电动工具将增加电击危险。
- ▶ 不得滥用电线。绝不能用电线搬运、拉动电动工具或拔出其插头。使电线远离热源、油、锐边或运动部件。受损或缠绕的软线会增加电击危险。
- ▶ 当在户外使用电动工具时，使用适合户外使用的外接软线。适合户外使用的软线将减少电击危险。

- ▶ 如果在潮湿环境下操作电动工具是不可避免的，应使用剩余电流动作保护器（RCD）。使用 RCD 可减小电击危险。

#### 人身安全

- ▶ 保持警觉，当操作电动工具时关注所从事的操作并保持清醒。当你感到疲倦，或在有药物、酒精或治疗反应时，不要操作电动工具。在操作电动工具时瞬间的疏忽会导致严重人身伤害。
- ▶ 使用个人防护装置。始终佩戴护目镜。安全装置，诸如适当条件下使用防尘面具、防滑安全鞋、安全帽、听力防护等装置能减少人身伤害。
- ▶ 防止意外起动。确保开关在连接电源和 / 或电池盒、拿起或搬运工具时处于关断位置。手指放在已接通电源的开关上或开关处于接通时插入插头可能会导致危险。
- ▶ 在电动工具接通之前，拿掉所有调节钥匙或扳手。遗留在电动工具旋转零件上的扳手或钥匙会导致人身伤害。
- ▶ 手不要伸展得太长。时刻注意立足点和身体平衡。这样在意外情况下能很好地控制电动工具。
- ▶ 着装适当。不要穿宽松衣服或佩戴饰品。让衣服、手套和头发远离运动部件。宽松衣服、佩饰或长发可能会卷入运动部件中。
- ▶ 如果提供了与排屑、集尘设备连接的装置，要确保他们连接完好且使用得当。使用这些装置可减少尘屑引起的危险。

#### 电动工具使用和注意事项

- ▶ 不要滥用电动工具，根据用途使用适当的电动工具。选用适当设计的电动工具会使你工作更有效、更安全。
- ▶ 如果开关不能接通或关断工具电源，则不能使用该电动工具。不能用开关来控制的电动工具是危险的且必须进行修理。
- ▶ 在进行任何调节、更换附件或贮存电动工具之前，必须从电源上拔掉插头和 / 或使电池盒与工具脱离。这种防护性措施将减少工具意外起动的危险。
- ▶ 将闲置不用的电动工具贮存在儿童所及范围之外，并且不要让不熟悉电动工具或对这些说明不了解的人操作电动工具。电动工具在未经培训的用户手中是危险的。
- ▶ 保养电动工具。检查运动件是否调整到位或卡住，检查零件破损情况和影响电动工具运行的其他状况。如有损坏，电动工具应在使用前修理好。许多事故由维护不良的电动工具引发。
- ▶ 保持切削刀具锋利和清洁。保养良好的有锋利切削刃的刀具不易卡住而且容易控制。
- ▶ 按照使用说明书，考虑作业条件和进行的作业来使用电动工具、附件和工具的刀头等。将电动工具用于那些与其用途不符的操作可能会导致危险。


#### 电池式工具使用和注意事项

- ▶ 只用制造商规定的充电器充电。将适用于某种电池盒的充电器用到其他电池盒时会发生着火危险。
- ▶ 只有在配有专用电池盒的情况下才使用电动工具。使用其他电池盒会发生损坏和着火危险。
- ▶ 当电池盒不用时，将它远离其他金属物体，例如回形针、硬币、钥匙、钉子、螺钉或其他小金属物体，以防一端与另一端连接。电池端部短路会引起燃烧或火灾。
- ▶ 在滥用条件下，液体会从电池中溅出；避免接触。如果意外碰到了，用水冲洗。如果液体碰到了眼睛，还要寻求医疗帮助。从电池中溅出的液体会发生腐蚀或燃烧。

#### 维修

- ▶ 将你的电动工具送交专业维修人员，使用同样的备件进行修理。这样将确保所维修的电动工具的安全性。

#### 针对研磨机的安全规章

- ▶ 只能使用本机器进行乾磨作业。如果雨水渗入电动机中可能导致触电。
  - ▶ 注意，有着火的危险！避免过度提高研磨表面和研磨机的温度。务必利用工作空档清除集尘器中的尘屑。囤积在集尘袋、微滤网、集尘纸袋（滤网袋或吸尘器滤网）上的尘垢，如果接触了研磨金属时产生的火花会产生自燃。如果研磨废尘和油漆、聚亚胺脂或其它的化学原料混合后，再和经过长时间研磨而变热的工件表面接触，非常容易起火燃烧。
  - ▶ 固定好工件。使用固定装置或老虎钳固定工件，会比用手持握工件更牢固。
  - ▶ 工作场所必须保持清洁。不同的工作尘经过混合后容易产生化学反应，十分危险。轻金属尘容易着火或引起爆炸。
  - ▶ 切勿打开蓄电池。可能造成短路。
-  保护蓄电池免受高温（例如长期日照），火焰，水和湿气的侵害。有爆炸的危险。
- ▶ 如果蓄电池损坏了，或者未按照规定使用蓄电池，蓄电池中会散发出有毒蒸汽。工作场所必须保持空气流通，如果身体有任何不适必须马上就医。蓄电池散发的蒸汽会刺激呼吸道。
  - ▶ 本蓄电池只能使用在博世的的产品上。这样才能够避免蓄电池发生危险的过载现象。
  - ▶ 通过尖的物件如钉子或螺丝刀通过外力作用时，可能损坏蓄电池。有可能出现内部短路、蓄电池燃烧、发出烟雾、爆炸或过热。

## 12 | 中文

## 产品和功率描述



**阅读所有的警告提示和指示。** 如未确实遵循警告提示和指示，可能导致电击、火灾并且 / 或其他的严重伤害。

### 按照规定使用机器

本机器适合在木材、塑胶、填隙料和上了保护漆的表面进行乾磨作业。

### 插图上的机件

机件的编号和电动工具详解图上的编号一致。

- 1 集尘盒 (Microfilter System)
- 2 后紧固夹
- 3 磨板
- 4 夹箍 (2个)

- 5 砂纸\*
- 6 前紧固夹
- 7 起停开关
- 8 充电电量指示灯的按键\*
- 9 蓄电池的充电电量指示灯\*
- 10 蓄电池
- 11 蓄电池的解锁按键
- 12 手柄 (绝缘握柄)
- 13 排气孔上的接头
- 14 过滤组件 (Microfilter System)\*
- 15 吸管转接头\*
- 16 吸管\*
- 17 穿孔板\*

\*图表或说明上提到的附件，并不包含在基本的供货范围中。本公司的附件清单中有完整的附件供应项目。

### 技术数据

平板砂磨机		GSS 14,4 V-LI	GSS 18 V-LI
物品代码		3 601 JD0 1..	3 601 JD0 2..
额定电压	伏特 =	14,4	18
无负载转速	次 / 分	11000	11000
空载轨道速率	次 / 分	22000	22000
砂纸面积	平方公分	114,7	114,7
轨道直径	毫米	1,6	1,6
尺寸	毫米	199,5 x 113 x 141	199,5 x 113 x 141
重量符合 EPTA-Procedure 01:2014	公斤	1,2/1,4*	1,3/1,5*

\* 视所使用的蓄电池而定

充电电池		GSS 14,4 V-LI	GSS 18 V-LI
允许的环境温度			
- 充电时	° C	0...+45	0...+45
- 工作时*	° C	- 20...+50	- 20...+50
- 仓储时	° C	- 20...+60	- 20...+60
建议使用的充电电池		GBA 14,4V x, xAh M - .	GBA 18V x, xAh M - .

\* 温度 <0 ° C 时功率受限

## 安装

- ▶ 在电动工具上进行任何调整的工作 (例如维修, 更换安装件等), 以及搬运和储存电动工具之前, 都要将起停开关固定在关闭的位置。不小心按下起停开关可能造成意外伤害。

### 为蓄电池充电

- ▶ 只能选用附件页上提供的充电器。此充电器是电动工具上的锂离子蓄电池的专用充电器。

**指示:** 蓄电池在交货时只完成部分充电。首度使用电动工具之前, 必须先充足蓄电池的电以确保蓄电池的功率。

可以随时为锂离子蓄电池充电, 不会缩短电池的使用寿命。如果充电过程突然中断, 也不会损坏电池。

本锂离子蓄电池配备了“电子充电室保护装置 (ECP)”, 可以防止蓄电池过度放电。电池的电量如果用尽了, 保护开关会自动关闭电动工具; 安装在机器上的工具会停止转动。

- ▶ 电动工具被关闭之后, 切勿继续按住起停开关。可能损坏电池。

如需取下电池 10，则请按压解锁按钮 11，并将电池从电动工具侧面拔出。**在此过程中请勿过度用力。**

请注意有关作废处理的规定。

### 更换砂纸

安装新的砂纸之前，先清除磨板 3 上的污垢与灰尘，例如使用毛刷。

为了确保最佳的吸尘效果，砂纸上的孔必须和磨板上的开口对齐。

#### 无 Velcro 固定装置的砂纸（参考插图 A - C）

- 将两个夹箍 4 从止动件中松开并向下翻转。
- 将砂纸 5 插入到后紧固夹 2 下面。注意，砂纸 5 夹紧部分不要太短，应正确地夹紧。将夹箍 4 翻回到起始位置并锁定。
- 将砂纸紧紧包住磨板 3。将砂纸的前半部分夹在前紧固夹 6 下面。注意，砂纸 5 夹紧部分不要太短，应正确地夹紧。将夹箍 4 翻回到起始位置并锁定。

如果使用未打孔的砂纸，例如砂纸捲或根据长度贩卖的砂纸，可以使用穿孔板 17 在砂纸上打孔以方便吸尘。打孔时先在电动工具上装好砂纸，接著再把机器连同砂纸压在穿孔板上（参考插图 F）。

若要取下砂纸 5，则松开两个夹箍 4，然后将砂纸从固定架中拉出。

### 选择砂纸

根据物料和需要的研磨效果，选择合适的砂纸：

	粒度	
<b>red:Wood</b>		40-180
<b>加工各类木材</b>		
进行粗加工，针对粗糙、未经过刨削的木梁和木板	粗	40
磨平以及修平小的凹陷	中	80, 120
粗磨和细磨木材	细	180
<b>white:Paint</b>		40-180
<b>加工颜料 / 漆料或底料、填隙料等</b>		
磨除颜料层	粗	40
抛光底色	中	80, 120
磨平底料以方便上漆	细	180

如需精加工或抛光，尤其是对于金属和石头，请使用羊毛毡或抛光垫。

根据需要达到的工件表面质量使用不同类型的羊毛毡或抛光垫。

### 吸锯尘 / 吸锯屑

▶ 含铅的颜料以及某些木材、矿物和金属的加工废尘有害健康。机器操作者或者工地附近的人如果接触、吸入这些废尘，可能会有过敏反应或者感染呼吸道疾病。

某些尘埃（例如加工橡木或山毛榉的废尘）可能导致癌，特别是和处理木材的添加剂（例如木材的防腐剂等）结合之后。只有经过专业培训的人才能够加工含石棉的物料。

- 尽可能使用适合物料的吸尘装置。
- 工作场所要保持空气流通。
- 最好佩戴 P2 滤网等级的口罩。

请留心并遵守贵国和加工物料有关的法规。

▶ **避免让工作场所堆积过多的尘垢。** 尘垢容易被点燃。

#### 透过机器本身的集尘盒收集废尘（参考插图 D1 - D4）

把集尘盒 1 安装在排气孔的接头 13，必须让集尘盒正确卡紧。

倒空集尘盒 1 之前必须向下拉出集尘盒。

打开集尘盒 1 之前必须参考插图，先在坚固的底垫上轻敲盒子，这样可以震松盒上的灰尘。

把一只手按在集尘盒 1 的两侧，另一只手向上掀开过滤组件 14，接著再倒空集尘盒。使用柔软的刷子清洁过滤组件 14。

#### 外接其他的吸尘器（参考插图 E）

把吸管接头 15 插在排气孔的接头 13 上，务必让吸管接头上的固定装置正确卡紧。吸管接头 15 上可以连接直径 19 毫米的吸尘器。

在本使用说明书的末尾可以找到各种吸尘器的连接概览。

拆卸吸管接头 15 时，先按下接头上的固定装置的末端，然后再拔出接头。

根据工件的物料选择合适的吸尘装置。

吸尘可能危害健康，可能导致癌症或干燥的废尘时，务必使用特殊的吸尘装置。

## 操作

### 操作机器

#### 安装蓄电池

▶ **只能使用博世原厂的锂离子蓄电池，电池的电压必须和机器铭牌上提供的电压一致。** 使用其它厂牌的蓄电池，可能导致意外伤害并造成火灾。

#### 开动 / 关闭

**开动** 电动工具，按下 起停开关 7 右侧的 "I" 端。

**关闭** 电动工具，按下 起停开关 7 左侧的 "0" 端。

## 14 | 中文

**蓄电池的充电电量指示灯 (参考插图 A)**

三个绿色的蓄电池充电电量指示灯 9 能够显示蓄电池 10 的现有电量。基于安全的顾虑, 务必在电动工具静止时 才能够检查蓄电池的电量。

按下按键 8 以便显示充电状况。拿出蓄电池 10 后也可以执行此步骤。

LED	容量
3 个绿灯持续亮着	≥2/3
2 个绿灯持续亮着	≥1/3
1 个绿灯持续亮着	<1/3
1 个绿灯闪烁	备用电量

按下按键 8 之后如果指示灯没有反应, 表示 蓄电池已经损坏了, 必须更换电池。

**温控的过载保护装置**

如果按照规定使用电动工具, 不会发生过载的情况。在机器强烈过载或蓄电池超过许可的温度 (摄氏 65 度) 时电动工具 会自动关闭, 待温度再度恢复到许可范围后, 电动工具才会继续运作。

**有关操作方式的指点****▶ 等待电动工具停止转动后才可以放下机器。**

研磨时的剥蚀功率大小, 基本上是由砂纸决定。

只有完好的砂纸才能够提高研磨功率, 并且保护电动工具。

操作机器时要均匀施压, 如此才能够提高砂纸的使用寿命。

在机器上过度施压, 不仅无法提高研磨功率, 反而容易损坏机器并提高砂纸的耗损率。

不可以使用研磨过金属的砂纸研磨其它的物料。

只能使用博世原厂的研磨附件。

**如何正确地使用蓄电池**

保护蓄电池, 避免湿气和水分渗入。

蓄电池必须储存在摄氏 0 到 50 度的环境中。夏天不可以把蓄电池搁置在汽车中。

不时地使用柔软, 清洁而且干燥的毛刷清洁蓄电池的通气孔。

充电后如果蓄电池的使用时间明显缩短, 代表蓄电池已经损坏, 必须更换新的蓄电池。

请注意有关作废处理的规定。

**维修和服务****维修和清洁**

▶ 在电动工具上进行任何调整的工作 (例如维修, 更换安装件等), 以及搬运和储存电动工具之前, 都要将起停开关固定在关闭的位置。不小心按下起停开关可能造成意外伤害。

**▶ 电动工具和通风间隙都必须保持清洁, 这样才能提高工作品质 and 安全性。**

如果蓄电池故障了, 可以向博世电动工具公司授权的客户服务中心求援。

**顾客服务处和顾客咨询中心**

本公司顾客服务处负责回答有关本公司产品的修理, 维护和备件的问题。以下的网页中有爆炸图和备件的资料:

[www.bosch-pt.com](http://www.bosch-pt.com)

博世顾客咨询团队非常乐意为您解答有关公司产品及附件的问题。

询问和订购备件时, 务必提供机器铭牌上标示的 10 位数物品代码。

有关保证, 维修或更换零件事宜, 请向合格的经销商查询。

**中国大陆**

博世电动工具 (中国) 有限公司

中国 浙江省 杭州市

滨江区滨康路 567 号

邮政编码: 310052

免费服务热线: 4008268484

传真: (0571) 87774502

电邮: [contact.ptcn@cn.bosch.com](mailto:contact.ptcn@cn.bosch.com)

[www.bosch-pt.com.cn](http://www.bosch-pt.com.cn)

罗伯特·博世有限公司

香港北角英皇道 625 号 21 楼

客户服务热线: +852 2101 0235

传真: +852 2590 9762

电邮: [info@hk.bosch.com](mailto:info@hk.bosch.com)

网站: [www.bosch-pt.com.hk](http://www.bosch-pt.com.hk)

**制造商地址:**

Robert Bosch Power Tools GmbH

罗伯特·博世电动工具有限公司

70538 Stuttgart / GERMANY

70538 斯图加特 / 德国

**搬运**

随着机器一起供货的锂离子蓄电池必须受危险物品法规范。使用者无须另外使用保护包装便可以运送该蓄电池。

但是如果将它交由第三者运送 (例如: 寄空运或委托运输公司) 则使用特殊的包装和标示。此时必须向危险物品专家请教有关寄送危险物品的相关事宜。

确定蓄电池的外壳未受损后, 才可以寄送蓄电池。粘好未加盖的触点并包装好蓄电池, 不可以让蓄电池在包装中晃动。

必要时也得注意各国有关的法规。

## 处理废弃物



必须以符合环保的方式，回收再利用损坏的电动工具，蓄电池，附件和废弃的包装材料。

不可以把电动工具和蓄电池 / 电池丢入一般的家庭垃圾中！

### 充电电池 / 电池：



锂离子：  
请注意“搬运”段落中的指示，  
页 14。

保留修改权。

# 中文

## 安全規章

### 電動工具通用安全警告



**警告** 閱讀所有警告和所有說明。不遵照以下警告和說明會導致電擊、著火和 / 或嚴重傷害。

保存所有警告和說明書以備查閱。

在所有下列的警告中術語“電動工具”指市電驅動（有線）電動工具或電池驅動（無線）電動工具。

### 工作場地的安全

- ▶ 保持工作場地清潔和明亮。混亂和黑暗的場地會引發事故。
- ▶ 不要在易爆環境，如有易燃液體、氣體或粉塵的環境下操作電動工具。電動工具產生的火花會點燃粉塵或氣體。
- ▶ 讓兒童和旁觀者離開後操作電動工具。注意力不集中會使你失去對工具的控制。

### 電氣安全

- ▶ 電動工具插頭必須與插座相配。絕不能以任何方式改裝插頭。需接地的電動工具不能使用任何轉換插頭。未經改裝的插頭和相配的插座將減少電擊危險。
- ▶ 避免人體接觸接地表面，如管道、散熱片和冰箱。如果你身體接地會增加電擊危險。
- ▶ 不得將電動工具暴露在雨中或潮濕環境中。水進入電動工具將增加電擊危險。
- ▶ 不得濫用電線。絕不能用電線搬運、拉動電動工具或拔出其插頭。使電線遠離熱源、油、銳邊或運動部件。受損或纏繞的軟線會增加電擊危險。

▶ 當在戶外使用電動工具時，使用適合戶外使用的外接軟線。適合戶外使用的軟線，將減少電擊危險。

▶ 如果在潮濕環境下操作電動工具是不可避免的，應使用剩餘電流動作保護器（RCD）。使用 RCD 可減少電擊危險。

### 人身安全

- ▶ 保持警覺，當操作電動工具時關注所從事的操作並保持清醒。當你感到疲倦，或在有藥物、酒精或治療反應時，不要操作電動工具。在操作電動工具時瞬間的疏忽會導致嚴重人身傷害。
- ▶ 使用個人防護裝置。始終佩戴護目鏡。安全裝置，諸如適當條件下使用防塵面具、防滑安全鞋、安全帽、聽力防護等裝置能減少人身傷害。
- ▶ 防止意外起動。確保開關在連接電源和 / 或電池盒、拿起或搬運工具時處於關斷位置。手指放在已接通電源的開關上或開關處於接通時插入插頭可能會導致危險。
- ▶ 在電動工具接通之前，拿掉所有調節鑰匙或扳手。遺留在電動工具旋轉零件上的扳手或鑰匙會導致人身傷害。
- ▶ 手不要伸展得太長。時刻注意立足點和身體平衡。這樣在意外情況下能很好地控制電動工具。
- ▶ 著裝適當。不要穿寬鬆衣服或佩戴飾品。讓你的衣服、手套和頭髮遠離運動部件。寬鬆衣服、佩飾或長髮可能會捲入運動部件中。
- ▶ 如果提供了與排屑、集塵設備連接用的裝置，要確保他們連接完好且使用得當。使用這些裝置可減少塵屑引起的危險。

### 電動工具使用和注意事項

- ▶ 不要濫用電動工具，根據用途使用適當的電動工具。選用適當設計的電動工具會使你工作更有效、更安全。
- ▶ 如果開關不能接通或關斷工具電源，則不能使用該電動工具。不能用開關來控制的電動工具是危險的且必須進行修理。
- ▶ 在進行任何調節、更換附件或貯存電動工具之前，必須從電源上拔掉插頭和 / 或使電池盒與工具脫開。這種防護性措施將減少工具意外起動的危險。
- ▶ 將閒置不用的電動工具貯存在兒童所及範圍之外，並且不要讓不熟悉電動工具或對這些說明不瞭解的人操作電動工具。電動工具在未經培訓的用戶手中是危險的。
- ▶ 保養電動工具。檢查運動件是否調整到位或卡住，檢查零件破損情況和影響電動工具運行的其他狀況。如有損壞，電動工具應在使用前修理好。許多事故由維護不良的電動工具引發。
- ▶ 保持切削刀具鋒利和清潔。保養良好的有鋒利切削刃的刀具不易卡住而且容易控制。

## 16 | 中文

- ▶ 按照使用說明書，考慮作業條件和進行的作業來使用電動工具、附件和工具的刀頭等。將電動工具用於那些與其用途不符的操作可能會導致危險。


## 電池式工具使用和注意事項

- ▶ 只用製造商規定的充電器充電。將適用於某種電池盒的充電器用到其他電池盒時會發生著火危險。
- ▶ 只有在配有專用電池盒的情況下才使用電動工具。使用其他電池盒會發生損壞和著火危險。
- ▶ 當電池盒不用時，將它遠離其他金屬物體，例如回形針、硬幣、鑰匙、釘子、螺釘或其他小金屬物體，以防一端與另一端連接。電池端部短路會引起燃燒或火災。
- ▶ 在濫用條件下，液體會從電池中濺出，避免接觸。如果意外碰到了，用水沖洗。如果液體碰到了眼睛，還要尋求醫療幫助。從電池中濺出的液體會發生腐蝕或燃燒。

## 檢修

- ▶ 將你的電動工具送交專業維修人員，必須使用同樣的備件進行更換。這樣將確保所維修的電動工具的安全性。

## 針對研磨機的安全規章

- ▶ 只能使用本機器進行乾磨作業。如果雨水滲入電動機器中可能導致觸電。
- ▶ 注意，有著火的危險！避免過度提高研磨表面和研磨機的溫度。務必利用工作空檔清除集塵器中的塵屑。囤積在集塵袋、微濾網、集塵紙袋（濾網袋或吸塵器濾網）上的塵垢，如果接觸了研磨金屬時產生的火花會產生自燃。如果研磨廢塵和油漆、聚亞胺脂或其它的化學原料混合後，再和經過長時間研磨而變熱的工件表面接觸，非常容易起火燃燒。
- ▶ 固定好工件。使用固定裝置或老虎鉗固定工件，會比用手持握工件更牢固。
- ▶ 工作場所必須保持清潔。不同的工作塵經過混合後容易產生化學反應，十分危險。輕金屬塵容易著火或引起爆炸。
- ▶ 切勿打開蓄電池。可能造成短路。  
 保護蓄電池免受高溫（例如長期日照），火焰，水和濕氣的侵害。有爆炸的危險。
- ▶ 如果蓄電池損壞了，或者未按照規定使用蓄電池，蓄電池中會散發出有毒蒸汽。工作場所必須保持空

氣流通，如果身體有任何不適必須馬上就醫。蓄電池散發的蒸汽會刺激呼吸道。

- ▶ 本蓄電池只能使用在博世的產品上。這樣才能夠避免蓄電池發生危險的過載現象。
- ▶ 尖銳物品（例如釘子或螺絲起子）或是外力皆有可能造成充電電池損壞，進而導致內部短路而發生電池起火、冒煙、爆炸或過熱等事故。

## 產品和功率描述



閱讀所有的警告提示和指示。如未確實遵循警告提示和指示，可能導致電擊、火災並且 / 或其他的嚴重傷害。

## 按照規定使用機器

本機器適合在木材、塑膠、填隙料和上了保護漆的表面進行乾磨作業。

## 插圖上的機件

機件的編號和電動工具詳解圖上的編號一致。

- 1 集塵盒 (Microfilter System)
- 2 后緊固夾
- 3 磨板
- 4 夾箍 (2 個)
- 5 砂紙\*
- 6 前緊固夾
- 7 起停開關
- 8 充電電量指示燈的按鍵\*
- 9 蓄電池的充電電量指示燈\*
- 10 蓄電池
- 11 蓄電池的解鎖按鍵
- 12 手柄 (絕緣握柄)
- 13 排氣孔上的接頭
- 14 過濾組件 (Microfilter System) \*
- 15 吸管轉接頭\*
- 16 吸管\*
- 17 穿孔板\*

\*圖表或說明上提到的附件，並不包含在基本的供貨範圍中。本公司的附件清單中有完整的附件供應項目。

## 技術性數據

平板砂磨機		GSS 14,4 V-Li	GSS 18 V-Li
物品代碼		3 601 JDO 1..	3 601 JDO 2..
額定電壓	伏特 =	14,4	18
無負載轉速	次 / 分	11000	11000

\* 視所使用的蓄電池而定



中文 | 17

平板砂磨機		GSS 14,4 V-Li	GSS 18 V-Li
空載軌道速率	次 / 分	22000	22000
研磨片面積	平方公分	114,7	114,7
軌道直徑	毫米	1,6	1,6
尺寸	毫米	199,5 x 113 x 141	199,5 x 113 x 141
重量符合 EPTA-Procedure 01:2014	公斤	1,2/1,4*	1,3/1,5*

\* 視所使用的蓄電池而定

蓄電池		GSS 14,4 V-Li	GSS 18 V-Li
容許環境溫度			
- 充電狀態下	° C	0...+45	0...+45
- 操作狀態下 *	° C	- 20...+50	- 20...+50
- 存放狀態下	° C	- 20...+60	- 20...+60
建議使用之充電電池		GBA 14,4V x, xAh M - .	GBA 18V x, xAh M - .

\* 溫度 &lt; 0 ° C 時，性能受限

## 安裝

- ▶ **對電動工具進行任何作業之前（例如維修、更換工具等等）以及在搬運和用完歸位之時，請將電源開關鎖死在關閉位置上。** 若不小心按到了電源開關，有造成人員受傷之虞。

### 為蓄電池充電

- ▶ **只能選用附件頁上提供的充電器。** 此充電器是電動工具上的鋰離子蓄電池的專用充電器。

**指示：** 蓄電池在交貨時只完成部分充電。首度使用電動工具之前，必須先充足蓄電池的電以確保蓄電池的功率。

可以隨時為鋰離子蓄電池充電，不會縮短電池的使用壽命。如果充電過程突然中斷，也不會損壞電池。

本鋰離子蓄電池配備了 " 電子充電室保護裝置 (ECP) "，可以防止蓄電池過度放電。電池的電量如果用盡了，保護開關會自動關閉電動工具；安裝在機器上的工具會停止轉動。

- ▶ **電動工具被關閉之后，切勿繼續按住起停開關。** 可能損壞電池。

若要取出充電電池 10，請按解鎖鈕 11，然後從充電電池的側面部份，將電池抽出電動工具。**不可以強行拉出充電電池。**

請注意有關作廢處理的規定。

### 更換砂紙

安裝新的砂紙之前，先清除磨板 3 上的污垢與灰塵，例如使用毛刷。

為了確保最佳的吸塵效果，砂紙上的孔必須和磨板上的開口對齊。

### 無 Velcro 固定裝置的砂紙 (參考插圖 A - C)

- 將兩個夾箍 4 從止動機制中脫開，並將它們往下翻轉。
- 鋪入研磨片 5 並將其夾在後側夾邊條 2 底下。請注意：研磨片 5 長度不可過短，且應正確夾好。將夾箍 4 翻轉回原來位置並重新固定卡好。
- 將砂紙包覆磨板 3 並繃緊。將研磨片前端牢牢夾在前側夾邊條 6 底下。請注意：研磨片 5 長度不可過短，且應正確夾好。將夾箍 4 翻轉回原來位置並重新固定卡好。

如果使用未打孔的砂紙，例如砂紙捲或根據長度販賣的砂紙，可以使用穿孔板 17 在砂紙上打孔以便吸塵。打孔時先在電動工具上裝好砂紙，接著再把機器連同砂紙壓在穿孔板上（參考插圖 F）。

若要取下研磨片 5，請鬆開兩側夾箍 4，並將研磨片從其固定夾具中抽出即可。

### 選擇砂紙

根據物料和需要的研磨效果，選擇合適的砂紙：

	粒度	
<b>red:Wood</b>		<b>40-180</b>
<b>加工各類木材</b>		
進行粗加工，針對粗糙、未經過	粗	40
刨削的木樑和木板		
磨平以及修平小的凹陷	中	80, 120
粗磨和細磨木材	細	180
<b>white:Paint</b>		<b>40-180</b>
<b>加工顏料 / 漆料或底料、填隙料等</b>		
磨除顏料層	粗	40
拋光底色	中	80, 120
磨平底料以方便上漆	細	180

## 18 | 中文

請特別針對金屬和石材的磨光或拋光作業，使用玻璃纖維／拋光氈布。  
應依照工件的表面光潔度，使用不同種類的玻璃纖維材質或拋光氈布。

### 吸鏽塵／吸鏽屑

▶ 含鉛的顏料以及某些木材、礦物和金屬的加工廢塵有害健康。機器操作者或者工地附近的人如果接觸、吸入這些廢塵，可能會有過敏反應或者感染呼吸道疾病。  
某些塵埃（例如加工橡木或山毛櫸的廢塵）可能致癌，特別是和處理木材的添加劑（例如木材的防腐劑等）結合之後。只有經過專業訓練的人才能夠加工含石棉的物料。

- 盡可能使用適合物料的吸塵裝置。
- 工作場所要保持空氣流通。
- 最好佩戴 P2 濾網等級的口罩。

請留心並遵守貴國和加工物料有關的法規。

▶ 避免讓工作場所堆積過多的塵垢。塵埃容易被點燃。

### 透過機器本身的集塵盒收集廢塵 (參考插圖 D1 - D4)

把集塵盒 1 安裝在排氣孔的接頭 13 上，必須讓集塵盒正確卡緊。

倒空集塵盒 1 之前必須向下拉出集塵盒。

打開集塵盒 1 之前必須參考插圖，先在堅固的底墊上輕敲盒子，這樣可以震松盒上的灰塵。

把一只手按在集塵盒 1 的兩側，另一只手向上掀開過濾組件 14，接著再倒空集塵盒。使用柔軟的刷子清潔過濾組件 14。

### 外接其他的吸塵器 (參考插圖 E)

把吸管接頭 15 插在排氣孔的接頭 13 上，務必讓吸管接頭上的固定裝置正確卡緊。吸管接頭 15 上可以連接直徑 19 毫米的吸塵管。

本手冊於結尾處另外刊錄了連接不同類型吸塵器的操作概覽。

拆卸吸管接頭 15 時，先按下接頭上的固定裝置的末端，然後再拔出接頭。

根據工件的物料選擇合適的吸塵裝置。

吸集可能危害健康，可能導致癌症或乾燥的廢塵時，務必使用特殊的吸塵裝置。

## 操作

### 操作機器

#### 安裝蓄電池

▶ 只能使用博世原廠的鋰離子蓄電池，電池的電壓必須和機器銘牌上提供的電壓一致。使用其它廠牌的蓄電池，可能導致意外傷害並造成火災。

### 開動／關閉

**開動** 電動工具，按下 起停開關 7 右側的 "I" 端。

**關閉** 電動工具，按下 起停開關 7 左側的 "0" 端。

### 蓄電池的充電電量指示燈 (參考插圖 A)

三個綠色的蓄電池充電電量指示燈 9 能夠顯示蓄電池 10 的現有電量。基於安全的顧慮，務必在電動工具靜止時 才能夠檢查蓄電池的電量。

按下按鍵 8 以便顯示充電狀況。拿出蓄電池 10 後也可以執行此步驟。

LED	容量
3 個綠燈持續亮著	≥2/3
2 個綠燈持續亮著	≥1/3
1 個綠燈持續亮著	<1/3
1 個綠燈閃爍	備用電量

按下按鍵 8 之後如果指示燈沒有反應，表示 蓄電池已經損壞了，必須更換電池。

### 溫控的過載保護裝置

如果按照規定使用電動工具，不會發生過載的情況。在機器強烈過載或蓄電池超過許可的溫度（攝氏 65 度）時電動工具 會自動關閉，待溫度再度恢復到許可範圍後，電動工具才會繼續運作。

### 有關操作方式的指點

▶ 等待電動工具停止轉動後才可以放下機器。

研磨時的剝蝕功率大小，基本上是由砂紙決定。

只有完好的砂紙才能夠提高研磨功率，並且保護電動工具。

操作機器時要均勻施壓，如此才能夠提高砂紙的使用壽命。

在機器上過度施壓，不僅無法提高研磨功率，反而容易損壞機器並提高砂紙的耗損率。

不可以使用研磨過金屬的砂紙研磨其它的物料。

只能使用博世原廠的研磨附件。

### 如何正確地使用蓄電池

保護蓄電池，避免濕氣和水分滲入。

蓄電池必須儲存在攝氏 0 到 50 度的環境中。夏天不可以把蓄電池擱置在汽車中。

不定時地使用柔軟，清潔而且乾燥的毛刷清潔蓄電池的通氣孔。

充電後如果蓄電池的使用時間明顯縮短，代表蓄電池已經損壞，必須更換新的蓄電池。

請注意有關作廢處理的規定。

## 維修和服務

### 維修和清潔

- ▶ 對電動工具進行任何作業之前（例如維修、更換工具等等）以及在搬運和用完歸位之時，請將電源開關鎖死在關閉位置上。若不小心按到了電源開關，有造成人員受傷之虞。
- ▶ 電動工具和通風間隙都必須保持清潔，這樣才能夠提高工作品質和安全性。

如果蓄電池故障了，可以向博世電動工具公司授權的客戶服務中心求援。

### 顧客服務處和顧客諮詢中心

本公司顧客服務處負責回答有關本公司產品的修理、維護和備件的問題。以下的網頁中有爆炸圖和備件的資料：

[www.bosch-pt.com](http://www.bosch-pt.com)

博世顧客諮詢團隊非常樂意為您解答有關本公司產品及附件的問題。

詢問和訂購備件時，務必提供機器銘牌上標示的 10 位數物品代碼。

### 台灣

台灣羅伯特博世股份有限公司

建國北路一段 90 號 6 樓

台北市 10491

電話：(02) 2515 5388

傳真：(02) 2516 1176

[www.bosch-pt.com.tw](http://www.bosch-pt.com.tw)

### 制造商地址：

Robert Bosch Power Tools GmbH

羅伯特·博世電動工具有限公司

70538 Stuttgart / GERMANY

70538 斯圖加特 / 德國

### 搬運

隨著機器一起供貨的鋰離子蓄電池必須受危險物品法規範。使用者無須另外使用保護包裝便可以運送該蓄電池。

但是如果將它交由第三者運送（例如：寄空運或委託運輸公司）則要使用特殊的包裝和標示。此時必須向危險物品專家請教有關寄送危險物品的相關事宜。

確定蓄電池的外殼未受損後，才可以寄送蓄電池。粘好未加蓋的觸點並包裝好蓄電池，不可以讓蓄電池在包裝中晃動。

必要時也得注意各國有關的法規。

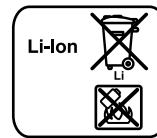
### 處理廢棄物



必須以符合環保的方式，回收再利用損壞的電動工具、蓄電池、附件和廢棄的包裝材料。

不可以把電動工具和蓄電池 / 電池丟入一般的家庭垃圾中！

### 蓄電池 / 一般電池：



### 鋰離子：

請注意“搬運”段落中的指示，頁 19。

### 保留修改權。

## 한국어

### 안전 수칙

#### 전동공구용 일반 안전수칙

**경고** 모든 안전수칙과 지시 사항을 상세히 읽고 지켜야 합니다. 다음의 안전수칙과 지시 사항을 준수하지 않으면 화재 위험이 있으며 감전 혹은 중상을 입을 수 있습니다.

앞으로의 참고를 위해 이 안전수칙과 사용 설명서를 잘 보관하십시오.

다음에서 사용되는 “전동공구” 라는 개념은 전원엔 연결하여 사용하는 전동 기기 (전선이 있는) 나 배터리를 사용하는 전동 기기 (전선이 없는)를 의미합니다.

#### 작업장 안전

- ▶ 작업장을 항상 깨끗이 하고 조명을 밝게 하십시오. 작업장 환경이 어수선하거나 어두우면 사고를 초래할 수 있습니다.
- ▶ 가연성 유체, 가스 또는 분진이 있어 폭발 위험이 있는 환경에서 전동공구를 사용하지 마십시오. 전동공구는 분진이나 증기에 점화하는 스파크를 일으킬 수 있습니다.
- ▶ 전동공구를 사용할 때 구경꾼이나 어린이 혹은 다른 사람이 작업장에 접근하지 못하게 하십시오. 다른 사람이 주의를 산만하게 하면 기기에 대한 통제를 잃기 쉽습니다.

#### 전기에 관한 안전

- ▶ 전동공구의 전원 플러그가 전원 콘센트에 잘 맞아야 합니다. 플러그를 조금이라도 변경시켜서는 안됩니다. 접지된 전동공구를 사용할 때 어댑터 플러그를 사용하지 마십시오. 변형되지 않은 플러그와 잘 맞는 콘센트를 사용하면 감전의 위험을 감소할 수 있습니다.

20 | 한국어

- ▶ 파이프 관, 라디에이터, 레인지, 냉장고와 같은 접지 표면에 물이 닿지 않도록 하십시오. 물에 닿을 경우 감전될 위험이 높습니다.
- ▶ 전동공구를 비에 맞지 않게 하고 습기 있는 곳에 두지 마십시오. 전동공구에 물이 들어가면 감전될 위험이 높습니다.
- ▶ 전원 코드를 잡고 전동공구를 운반하거나 걸어 놓아서는 안되며, 콘센트에서 전원 플러그를 뽑을 때 전원 코드를 잡아 당겨서는 절대로 안됩니다. 전원 코드가 열과 오일에 접촉하는 것을 피하고, 날카로운 모서리나 기기의 가동 부위에 닿지 않도록 주의하십시오. 손상되거나 영긴 전원 코드는 감전을 유발할 수 있습니다.
- ▶ 실외에서 전동공구를 작업할 때는 실외용으로 적당한 연장 전원 코드만을 사용하십시오. 실외용 연장 전원 코드를 사용하면 감전의 위험을 줄일 수 있습니다.
- ▶ 전동공구를 습기 찬 곳에서 사용해야 할 경우에는 누전 차단기를 사용하십시오. 누전 차단기를 사용하면 감전 위험을 줄일 수 있습니다.

**사용자 안전**

- ▶ 신중하게 작업하십시오. 작업을 할 때 주의를 하며, 전동공구를 사용할 때 경솔하게 행동하지 마십시오. 피로한 상태이거나 약물 복용 및 음주한 후에는 전동공구를 사용하지 마십시오. 전동공구를 사용할 때 잠시라도 주의를 산만해지면 중상을 입을 수 있습니다.
- ▶ 작업자 안전을 위한 장치를 사용하십시오. 항상 보안경을 착용하십시오. 전동공구의 종류와 사용에 따라 먼지 보호 마스크, 미끄러지지 않는 안전한 신발, 안전모 또는 귀마개 등의 안전한 복장을 하면 상해의 위험을 줄일 수 있습니다.
- ▶ 실수로 기기가 작동되지 않도록 주의하십시오. 전동공구를 전원에 연결하거나 배터리를 끼우기 전에, 혹은 기기를 들거나 운반하기 전에, 전원 스위치가 꺼져 있는지 다시 확인하십시오. 전동공구를 운반할 때 전원 스위치가 손가락을 대거나 전원 스위치가 켜진 상태에서 전원을 연결하면 사고 위험이 높습니다.
- ▶ 전동공구를 사용하기 전에 조절하는 툴이나 나사 키 등을 빼 놓으십시오. 회전하는 부위에 있는 툴이나 나사 키로 인해 상처를 입을 수 있습니다.
- ▶ 자신을 과신하지 마십시오. 불안정한 자세를 피하고 항상 평형을 이룬 상태로 작업하십시오. 안정된 자세와 평형한 상태로 작업해야만이 의외의 상황에서 전동공구를 안전하게 사용할 수 있습니다.
- ▶ 알맞은 작업복을 입으십시오. 헐렁한 복장을 하거나 장신구를 착용하지 마십시오. 머리나 옷 또는 장갑이 가동하는 기기 부위에 가까이 닿지 않도록 주의하십시오. 헐렁한 복장, 장신구 혹은 긴 머리는 가동 부위에 걸려 사고를 초래할 수 있습니다.

- ▶ 분진 추출장치나 수거장치의 조립이 가능한 경우, 이 장치가 연결되어 있는지, 제대로 작동이 되는지 확인하십시오. 이러한 분진 추출장치를 사용하면 분진으로 인한 사고 위험을 줄일 수 있습니다.

**전동공구의 올바른 사용과 취급**

- ▶ 기기를 과부하 상태에서 사용하지 마십시오. 작업할 때 이에 적당한 전동공구를 사용하십시오. 알맞은 전동공구를 사용하면 지정된 성능 한도 내에서 더 효율적으로 안전하게 작업할 수 있습니다.
  - ▶ 전원 스위치가 고장 난 전동공구를 사용하지 마십시오. 전원 스위치가 작동되지 않는 전동공구는 위험하므로, 반드시 수리를 해야 합니다.
  - ▶ 기기에 세팅을 하거나 액세서리 부품을 교환하거나 혹은 기기를 보관할 때, 항상 전원 콘센트에서 플러그를 미리 빼어 놓으십시오. 이러한 조치는 실수로 전동공구가 작동하게 되는 것을 예방합니다.
  - ▶ 사용하지 않는 전동공구는 어린이 손이 닿지 않는 곳에 보관하고, 전동공구 사용에 익숙지 않거나 이 사용 설명서를 읽지 않은 사람은 기기를 사용해서는 안 됩니다. 경험이 없는 사람이 전동공구를 사용하면 위험합니다.
  - ▶ 전동공구를 조심스럽게 관리하십시오. 가동 부위가 하자 없이 정상적인 기능을 하는지, 걸리는 부위가 있는지, 혹은 전동공구의 기능에 중요한 부품이 손상되지 않았는지 확인하십시오. 손상된 기기의 부품은 전동공구를 다시 사용하기 전에 반드시 수리를 맡기십시오. 제대로 관리하지 않은 전동공구의 경우 많은 사고를 유발합니다.
  - ▶ 절단 공구를 날카롭고 깨끗하게 관리하십시오. 날카로운 절단면이 있고 잘 관리된 절단공구는 걸리는 경우가 드물고 조절하기도 쉽습니다.
  - ▶ 전동공구, 액세서리, 장착하는 공구 등을 사용할 때, 이 지시 사항과 특별히 기종 별로 나와있는 사용 방법을 준수하십시오. 이때 작업 조건과 실시하려는 작업 내용을 고려하십시오. 원래 사용 분야가 아닌 다른 작업에 전동공구를 사용할 경우 위험한 상황을 초래할 수 있습니다.
- 충전 전동공구의 올바른 사용과 취급**
- ▶ 배터리를 충전할 때 제조 회사가 추천하는 충전기만을 사용하여 재충전해야 합니다. 특정 제품의 배터리를 위하여 제조된 충전기에 적합하지 않은 다른 배터리를 충전할 경우 화재 위험이 있습니다.
  - ▶ 각 전동공구용으로 나와있는 배터리만을 사용하십시오. 다른 종류의 배터리를 사용하면 상해를 입거나 화재를 초래할 수 있습니다.
  - ▶ 배터리를 사용하지 않을 때는, 각 극 사이에 브리징 상태가 생길 수 있으므로 페이퍼 클립, 동전, 열쇠, 못, 나사 등 유사한 금속성 물체와 멀리하여 보관하십시오. 배터리 극 사이에 쇼트가 일어나 화상을 입거나 화재를 야기할 수 있습니다.

▶ 배터리를 잘못 사용하면 누수가 생길 수 있습니다. 누수가 생긴 배터리에 닿지 않도록 하십시오. 피부에 접하게 되었을 경우 즉시 물로 씻으십시오. 유체가 눈에 닿았을 경우 바로 의사와 상담하십시오. 배터리에서 나오는 유체는 피부에 자극을 주거나 화상을 입힐 수 있습니다.

**서비스**

▶ 전동공구 수리는 반드시 전문 인력에게 맡기고, 수리 정비 시 보쉬 순정 부품만을 사용하십시오. 그렇게 함으로써 기기의 안전성을 오래 유지할 수 있습니다.

**샌더용 안전수칙**

▶ 본 전동공구는 건식 샌딩작업에만 사용해야 합니다. 전동 기기 안으로 물이 들어가면 감전될 위험이 높습니다.

▶ **화재 위험! 연마하는 작업물과 샌더가 과열되지 않도록 하십시오. 작업 중 휴식 시에 항상 분진이 들어 있는 용기를 비워 주십시오.** 금속에 연마작업을 할 때 먼지 주머니, 마이크로 필터, 먼지 봉투 (혹은 진공 청소기의 필터 주머니나 필터)에 들어 있는 샌딩 분진에 불꽃이 튀어 저절로 발화될 수 있습니다. 특히 니스, 폴리우레탄 혹은 다른 화학 물질과 혼합될 경우 혹은 장시간 작업 후 작업물이 뜨거워진 경우 위험하므로 주의하십시오.

▶ **작업물을 잘 고정하십시오.** 고정장치나 기계 바이스에 끼워서 작업하면 손으로 잡는 것보다 더 안전합니다.

▶ **작업장을 항상 깨끗이 유지하십시오.** 작업 소재의 혼합물은 특히 위험합니다. 경금속 분진은 화재나 폭발을 야기할 수 있습니다.

▶ **배터리를 분해하지 마십시오.** 단락이 발생할 위험이 있습니다.



▶ 배터리를 태양 광선 등 고열에 장시간 노출되지 않도록 하고 불과 물, 수분이 있는 곳에 두지 마십시오. 폭발할 위험이 있습니다.

▶ 배터리가 손상되었거나 잘못 사용될 경우 증기가 발생할 수 있습니다. 작업장을 환기시키고, 필요한 경우 의사와 상담하십시오. 증기로 인해 호흡기가 자극될 수 있습니다.

▶ 귀하의 보쉬 제품용으로 나와있는 배터리만 사용하십시오. 그래야만 배터리가 위험하게 과부하되는 것을 방지할 수 있습니다.

▶ 못이나 스크류 드라이버 같은 뾰족한 물체 또는 외부에서 오는 충격 등으로 인해 배터리가 손상될 수 있습니다. 내부 단락이 발생하여 배터리가 타거나 연기가 발생하고, 폭발 또는 과열될 수 있습니다.

**제품 및 성능 소개**



모든 안전수칙과 지시 사항을 상세히 읽고 지켜야 합니다. 다음의 안전수칙과 지시 사항을 준수하지 않으면 화재 위험이 있으며 감전 혹은 중상을 입을 수 있습니다.

**규정에 따른 사용**

본 기기는 목재 플라스틱 혼합재 및 도장된 표면에 건식 샌딩을 하는 데 사용해야 합니다.

**제품의 주요 명칭**

제품의 주요 명칭에 표기되어 있는 번호는 기기 그림이 나와있는 면을 참고하십시오.

- 1 분진 박스 세트 (Microfilter System)
- 2 뒤쪽 고정 장치 받침대
- 3 샌딩판
- 4 클램핑 브래킷 (2x)
- 5 샌딩 페이퍼\*
- 6 앞쪽 고정 장치 받침대
- 7 전원 스위치
- 8 충전 상태 표시기용 버튼\*
- 9 배터리 충전 상태 표시기\*
- 10 배터리
- 11 배터리 해제 버튼
- 12 손잡이 (절연된 손잡이 부위)
- 13 연결 부위
- 14 필터 부위 (Microfilter System)\*
- 15 흡입 어댑터\*
- 16 흡입 호스\*
- 17 구멍 편칭기\*

\*도면이나 설명서에 나와있는 액세서리는 표준 공급부품에 속하지 않습니다. 전체 액세서리는 저희 액세서리 프로그램을 참고하십시오.

**제품 사양**

오비발 샌더		GSS 14,4 V-Li	GSS 18 V-Li
제품 번호		3 601 JD0 1..	3 601 JD0 2..
정격 전압	V=	14.4	18
무부하 속도	rpm	11000	11000
무부하 진동수	min <sup>-1</sup>	22000	22000
샌딩 페이퍼 접촉면	cm <sup>2</sup>	114.7	114.7

\* 사용하는 배터리에 따라 상이

22   한국어			
오비발 샌더		GSS 14,4 V-Li	GSS 18 V-Li
진동 범위 직경	mm	1,6	1,6
치수	mm	199,5 x 113 x 141	199,5 x 113 x 141
EPTA 공정 01:2014 에 따른 중량	kg	1.2/1.4*	1.3/1.5*

\* 사용하는 배터리에 따라 상이

배터리		GSS 14,4 V-Li	GSS 18 V-Li
허용되는 주변 온도			
- 충전 시	° C	0...+45	0...+45
- 작동 시*	° C	- 20...+50	- 20...+50
- 보관 시	° C	- 20...+60	- 20...+60
권장 배터리		GBA 14,4V x,xAh M - .	GBA 18V x,xAh M - .

\* 온도가 0 ° C 보다 낮은 경우 성능 제한 있음

## 조립

▶ **전동공구에서 작업 (정비, 물교환 등)을 진행하기 전에 그리고 공구를 운반 및 보관할 때에는 항상 전원 스위치를 꺼진 상태로 차단해 두십시오.** 전원 스위치가 돌발적으로 작동될 경우 부상의 위험이 있습니다.

### 배터리 충전하기

▶ **액세서리 목록에 기재되어 있는 충전기만을 사용하십시오.** 이 충전기만이 귀하의 전동공구에 사용된 리튬이온 배터리에 맞게 되어 있습니다.

**참고:** 배터리는 일부 충전되어 공급됩니다. 배터리의 성능을 완전하게 보장하기 위해서는 처음 사용하기 전에 배터리를 완전히 충전기에 충전하십시오.

리튬이온 배터리는 항상 충전할 수 있으며, 이로 인해 수명이 단축되지 않습니다. 충전을 하다 중간에 중지해도 배터리가 손상되지 않습니다.

리튬이온 배터리는 “전차 셀 보호 (ECP)” 기능이 있어 과도한 방전이 되지 않습니다. 배터리가 방전되면 안전 스위치가 작동하여 전동공구가 꺼지고 비트가 더 이상 움직이지 않습니다.

▶ **전동공구가 자동으로 작동이 중단된 경우 전원 스위치를 더 계속 누르지 마십시오.** 이로 인해 배터리가 손상될 수 있습니다.

배터리 10 을 분리하려면 배터리 해제 버튼 11 을 누른 상태에서 배터리를 전동공구 측면으로 당겨내십시오. **무리하게 힘을 가하지 마십시오.**

처리에 관련된 지시 사항을 준수하십시오.

### 샌딩 페이퍼 교환하기

샌딩 페이퍼를 교환할 때 브러시 등을 사용하여 샌딩판 3 의 먼지나 부스러기를 깨끗이 닦아 주십시오.

분진 제거를 완벽하게 하려면 샌딩 페이퍼의 구멍과 샌딩판의 구멍이 일치해야 합니다.

### 벨크로 접착식이 아닌 샌딩 페이퍼 (그림 A - C 참조)

- 1 양쪽 클램핑 브래킷 4 를 고정 장치에서 풀어내어 아래쪽으로 방향을 돌리십시오.
- 2 샌딩 페이퍼 5 를 뒤쪽 고정 장치 받침대 2 아래에서 끼우십시오. 샌딩 페이퍼 5 가 너무 짧지 않고 제대로 고정되었는지 확인하십시오. 클램핑 브래킷 4 를 다시 초기위치로 돌린 후 그 위치에서 고정시키십시오.
- 3 딱딱한 상태의 샌딩 페이퍼를 샌딩판 3 주위에 두십시오. 샌딩 페이퍼의 앞쪽 부분을 앞쪽 조정 장치 받침대 6 아래에서 고정시키십시오. 샌딩 페이퍼 5 가 너무 짧지 않은지, 제대로 고정되었는지 확인하십시오. 클램핑 브래킷 4 를 다시 초기위치로 돌린 후 그 위치에서 고정시키십시오.

롤이나 미터 길이의 구멍이 없는 샌딩 페이퍼는 분진 흡입을 위해 구멍 펀칭기 17 로 구멍을 낼 수 있습니다. 이때 샌딩 페이퍼를 끼운 상태의 전동공구를 구멍 펀칭기 위로 누릅니다 (그림 F 참조).

샌딩 페이퍼 5 를 빼려면 양쪽 클램핑 브래킷 4 를 풀고 고정부에서 샌딩 페이퍼를 당겨내십시오.

### 샌딩 페이퍼의 선택

작업하려는 소재와 표면의 깎임 정도에 따라 다양한 샌딩 페이퍼가 있습니다:

인자 크기	
<b>red:Wood</b>	<b>40-180</b>
<b>각종 목재 소재에</b>	
거칠고 대패질하지 않은 각목이나 조도	40
판자에 초벌 연마작업할 때	
작고 고르지 않은 부위에 매끄럽게	중간 80, 120
연마하거나 고르게 연마할 때	
목재에 최종 연마 및 미세 연마작업	미세 180
할 때	

**입자 크기**

**white:Paint** 40-180

**페인트 / 에나멜 도장표면, 초벌칠, 혼합재 등에 작업할 때**

페인트에 연마작업할 때	조도	40
초벌칠 / 프라이머에 연마작업할 때	중간	80, 120
도장하기 전에 초벌칠에 최종 연마 미세 작업할 때		180

특히 금속 및 석재의 사후 작업 또는 폴리싱 작업을 위해 플리스 / 폴리싱 펠트를 사용하십시오. 원하는 작업물의 표면 조도 정도에 따라 다양한 종류의 플리스 또는 폴리싱 펠트를 사용할 수 있습니다.

**분진 및 틈밥 추출장치**

▶ 납 성분을 포함한 페인트나 몇몇 나무 종류, 또는 광물 성분 그리고 철과 같은 재료의 분진은 건강을 해칠 수 있습니다. 이 분진을 만지거나 호흡할 경우, 사용자나 주변 사람들은 알레르기 반응이나 호흡기 장애를 일으킬 수 있습니다. 딱갈나무나 너도밤나무와 같은 특정한 분진은 암을 유발시키며, 특히 목재 처리용으로 사용되는 부가 원료 (크로마트, 목재 보호제)와 혼합되면 암을 유발 시키게 됩니다. 석면 성분을 포함한 재료는 오직 전문가가 작업을 해야 합니다.

- 가능하면 작업을 소재에 적당한 분진 추출장치를 사용하십시오.
- 작업장의 통풍이 잘 되도록 하십시오.
- 필터등급 P2 가 장착된 호흡 마스크를 사용하십시오.

작업용 재료에 관해 국가가 지정한 규정을 고려 하십시오.

▶ **작업장에 분진이 쌓이지 않도록 하십시오.** 분진이 쉽게 발화할 수 있습니다.

**분진 박스가 장착된 통합 분진 장치 (그림 D1 - D4 참조)**

분진 박스 1 을 연결 부위 13 에 맞추어 걸릴 때까지 끝까지 끼웁니다.

분진 박스 1 을 비우려면 분진 박스를 아래로 빼냅니다.

분진 박스 1 을 열기 전에, 그림에 나와 있는 것처럼 단단한 바닥에 두드려 필터 부위에 있는 분진을 분리하는 게 좋습니다.

분진 박스 1 의 손잡이 파인 부분을 잡은 채, 필터 부위 14 를 위로 당긴 후 분진 박스를 비웁니다. 필터 14 의 사이사이 부분을 부드러운 솔로 털어내십시오.

**외부 분진 처리 (그림 E 참조)**

흡입 어댑터 15 를 연결 부위 13 에 끼웁니다. 이때 흡입 어댑터의 고정 레버가 잘 끼워졌는지 확인하십시오. 흡입 어댑터 15 에 직경이 19 mm 인 진공 호스를 연결할 수 있습니다.

다양한 진공 청소기 연결에 관한 정보는 본 설명서의 마지막 부분에서 확인할 수 있습니다.

흡입 어댑터 15 를 빼려면 그 고정 레버의 뒷쪽을 함께 누른 다음, 흡입 어댑터를 잡아 당기십시오.

진공 청소기는 작업하는 소재에 적당한 것이어야 합니다.

특히 건강에 유해한 발암성 혹은 건조한 분진을 처리해야 할 경우에는 특수한 청소기를 사용해야 합니다.

**작동**

**기계 시동**

**배터리 장착하기**

▶ **반드시 귀하의 전동공구 타입 표시판에 나와 있는 전압의 보쉬 순정 리튬이온 배터리를 사용하십시오.**

다른 배터리를 사용하면 상해를 입거나 화재가 발생할 위험이 있습니다.

**전원 스위치 작동**

전동공구를 **작동하려면** 전원 스위치 7 을 오른쪽으로 "I" 위치로 누릅니다.

전동공구의 **스위치를 끄려면** 전원 스위치 7 을 왼쪽으로 "0" 위치로 누릅니다.

**배터리 충전 상태 표시기 (그림 A 참조)**

배터리 충전 상태 표시기 9 에 있는 세 개의 녹색 LED 는 배터리 10 의 충전 상태를 표시합니다. 안전을 위하여 충전 상태의 확인은 전동공구가 중지된 상태에서만 가능합니다.

충전 상태를 확인하려면 버튼 8 을 누르십시오. 이는 배터리 10 이 탈착된 경우에도 가능합니다.

LED	용량
연속등 3 x 녹색	≥2/3
연속등 2 x 녹색	≥1/3
연속등 1 x 녹색	<1/3
점멸등 1 x 녹색	예비

버튼 8 을 눌렀는데도 LED 가 켜지지 않으면 배터리가 손상된 것이므로 교환해 주어야 합니다.

**온도에 따른 과부하 방지 기능**

규정에 따른 사용을 할 때 전동공구가 과부하 상태가 되어서는 안됩니다. 과부하 또는 배터리 허용 온도 65°C를 초과하게 되면 다시 적당한 온도 범위에 달하게 될 때까지 전동공구의 전자 조절 스위치가 꺼집니다.

**사용방법**

▶ **전동공구가 완전히 정지한 다음에 기기를 내려 놓으십시오.**

샌딩작업의 성공 여부는 주로 샌딩 페이퍼의 선택에 달려 있습니다.

아무런 하자가 없는 샌딩 페이퍼를 사용해야 훌륭한 샌딩작업 결과를 얻을 수 있고 전동공구를 보호할 수 있습니다.

## 24 | ภาษาไทย

일정한 압력으로 작업을 하면 샌딩 페이퍼의 수명을 연장할 수 있습니다.

지나치게 눌러 작업을 하면, 샌딩 효과가 좋아지는 것이 아니라 전동공구와 샌딩 페이퍼가 더 빨리 소모됩니다.

금속 소재에 사용했던 샌딩 페이퍼를 다른 소재에 사용해서는 안됩니다.

보쉬 순정 샌딩 액세서리만을 사용하십시오.

### 올바른 배터리의 취급 방법

배터리를 습기나 물이 있는 곳에 두지 마십시오.

배터리를 0°C에서 50°C 온도 범위에서만 저장하십시오. 예를 들면 배터리를 여름에 자동차 안에 두지 마십시오.

가끔 배터리의 통풍구를 부드럽고 깨끗한 마른 솔로 청소하십시오.

충전 후 작동 시간이 현저하게 짧아지면 배터리의 수명이 다한 것이므로 배터리를 교환해야 합니다.

처리에 관련된 지시 사항을 준수하십시오.

## 보수 정비 및 서비스

### 보수 정비 및 유지

▶ 전동공구에서 작업 (정비, 톨교환 등)을 진행하기 전에 그리고 공구를 운반 및 보관할 때에는 항상 전원 스위치를 꺼진 상태로 차단해 두십시오. 전원 스위치가 돌발적으로 작동될 경우 부상의 위험이 있습니다.

▶ 안전하고 올바른 작동을 위하여 전동공구와 전동공구의 통풍구를 항상 깨끗이 하십시오.

배터리 기능에 문제가 있으면 보쉬 지정 전동공구 서비스 센터에 문의하십시오.

### 보쉬 AS 및 고객 상담

보쉬는 귀하의 제품 및 수리에 관한 문의를 받고 있습니다.

AS 센터 정보 및 제품에 대한 고객 상담은 하기 고객 콜센터 및 이메일 상담을 이용해 주시기 바랍니다.

**고객 콜센터 : 080-955-0909**

**이메일 상담 :**

**Bosch-pt.hotline@kr.bosch.com**

문의 사항이 있거나 스페어 부품을 주문할 때 반드시 전동공구의 타입 표시판에 적힌 10 자리의 제품 번호를 알려 주십시오.

### 한국로버트보쉬 (주)

경기도 용인시 기흥구 보정동 298 번지

**www.bosch-pt.co.kr**

### 운반


포함되어 있는 리튬이온 배터리는 위험물 관련 규정을 따라야 합니다. 사용자가 별도의 요구사항 없이 배터리를 직접 도로 상에서 운반할 수 있습니다.

제 3 자를 통해 운반할 경우 (항공 운송이나 운송 회사 등) 포장과 표기에 관한 특별한 요구 사항을 준수해야 합니다. 이 경우 발송 준비를 위해 위험물 전문가와 상담해야 합니다.

표면이 손상되지 않은 배터리만을 사용하십시오. 배터리의 접촉 단자면을 덮어 불인 상태로 내부에서 움직이지 않도록 배터리를 포장하십시오.

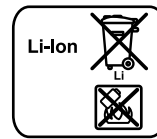
또한 이와 관련한 국내 규정을 준수하십시오.

### 처리

 전동공구, 배터리, 액세서리 및 포장은 친환경적인 방법으로 재활용할 수 있도록 분류하십시오.

전동공구와 충전용 배터리 / 배터리를 가정용 쓰레기로 처리하지 마십시오!

### 충전용 배터리 / 배터리 :



**Li-Ion:**

“운반” 내용에 나와 있는 주의 사항을 준수하십시오 ( 24 페이지).

위 사항은 사전 예고 없이 변경될 수도 있습니다.

## ภาษาไทย

## กฎระเบียบเพื่อความปลอดภัย

### คำเตือนทั่วไปเพื่อความปลอดภัยในการใช้เครื่องมือไฟฟ้า

**คำเตือน** ต้องอ่านคำเตือนเพื่อความปลอดภัยและคำสั่งทั้งหมด การไม่ปฏิบัติตามคำเตือนและคำสั่งอาจเป็นสาเหตุให้ถูกไฟฟ้าดูด เกิดไฟไหม้ และ/หรือได้รับบาดเจ็บอย่างร้ายแรง

### เก็บรักษาคำเตือนและคำสั่งทั้งหมดสำหรับเปิดอ่านในภายหลัง

คำว่า "เครื่องมือไฟฟ้า" ในคำเตือนหมายถึง เครื่องมือไฟฟ้าของท่านที่ทำงานด้วยพลังงานไฟฟ้าที่ต่อจากเต้าเสียบ (มีสายไฟฟ้า) และเครื่องมือไฟฟ้าที่ทำงานด้วยพลังงานไฟฟ้าจากแบตเตอรี่ (ไร้สาย)

### ความปลอดภัยในสถานที่ทำงาน

▶ รักษาสถานที่ทำงานให้สะอาดและมีไฟส่องสว่างดี สถานที่ที่มีมืดหรือรุงรังนำมาซึ่งอุบัติเหตุ

▶ อย่าใช้เครื่องมือไฟฟ้าในสภาพแวดล้อมที่เสี่ยงต่อการติดระเบิดได้ เช่น ในที่มีมีของเหลว แก๊ส หรือฝุ่นที่ติดไฟได้ เมื่อใช้เครื่องมือไฟฟ้าจะเกิดประกายไฟซึ่งอาจจุดฝุ่นหรือไอให้ลุกเป็นไฟได้



- ▶ **ขณะใช้เครื่องมือไฟฟ้าทำงาน ต้องกันเด็กและผู้ยืนดูให้ออกห่าง** การหันเหความสนใจอาจทำให้ท่านขาดการควบคุมเครื่องได้

#### ความปลอดภัยเกี่ยวกับไฟฟ้า

- ▶ **ปลั๊กของเครื่องมือไฟฟ้าต้องมีขนาดพอดีกับเต้าเสียบ อย่าตัดแปลงหรือแก้ไขตัวปลั๊กอย่างเด็ดขาด** อย่าต่อปลั๊กต่อใดๆ เข้ากับเครื่องมือไฟฟ้าที่มีสายดิน ปลั๊กที่ไม่ตัดแปลงและเต้าเสียบที่เข้ากันช่วยลดความเสี่ยงจากการถูกไฟฟ้าดูด
- ▶ **หลีกเลี่ยงไม่ให้ร่างกายสัมผัสกับพื้นผิวของสิ่งของที่ต่อสายดินไว้ เช่น ท่อ เครื่องทำความร้อน เต้า และตู้เย็น** จะเสี่ยงอันตรายจากการถูกไฟฟ้าดูดมากขึ้นหากกระแสไฟฟ้าวิ่งผ่านร่างกายของท่านลงดิน
- ▶ **อย่าวางเครื่องมือไฟฟ้าตากฝนหรือทิ้งไว้ในที่ชื้นแฉะ** หากน้ำเข้าในเครื่องมือไฟฟ้า จะเพิ่มความเสี่ยงจากการถูกไฟฟ้าดูด
- ▶ **อย่าใช้สายไฟฟ้าอย่างผิดๆ** อย่าถือเครื่องมือไฟฟ้าที่สาย อย่ายึดสายแวนเครื่อง หรือยึดสายไฟฟ้าเพื่อถอดปลั๊กออกจากเต้าเสียบ กันสายไฟฟ้าออกจากความร้อน น้ำมัน ขอบแหลมคม หรือส่วนของเครื่องที่กำลังเคลื่อนไหว สายไฟฟ้าที่ชำรุดหรือพันกันยุ่ง เพิ่มความเสี่ยงจากการถูกไฟฟ้าดูด
- ▶ **เมื่อใช้เครื่องมือไฟฟ้าทำงานกลางแจ้ง ให้ใช้สายไฟต่อที่ได้รับการรับรองให้ใช้ต่อในที่กลางแจ้งเท่านั้น** การใช้สายไฟต่อที่เหมาะสมสำหรับงานกลางแจ้งช่วยลดอันตรายจากการถูกไฟฟ้าดูด
- ▶ **หากไม่สามารถหลีกเลี่ยงการใช้เครื่องมือไฟฟ้าทำงานในสถานที่เปียกชื้นได้ ให้ใช้วิธีหัดดวงจรเมื่อเกิดการรั่วไหลของไฟฟ้าจากสายดิน** การใช้วิธีหัดดวงจรเมื่อเกิดการรั่วไหลของไฟฟ้าจากสายดินช่วยลดความเสี่ยงต่อการถูกไฟฟ้าดูด

#### ความปลอดภัยของบุคคล

- ▶ **ท่านต้องอยู่ในสภาพเตรียมพร้อม ระมัดระวัง** ในสิ่งที่กำลังทำอยู่ และมีสติขณะใช้เครื่องมือไฟฟ้าทำงาน อย่าใช้เครื่องมือไฟฟ้าขณะที่ท่านกำลังเหนื่อย หรืออยู่ภายใต้การครอบงำของฤทธิ์ของยาเสพติด แอลกอฮอล์ และยา เมื่อใช้เครื่องมือไฟฟ้าทำงาน ในชั่วขณะที่ท่านขาดความเอาใจใส่อาจทำให้บุคคลบาดเจ็บอย่างรุนแรงได้
- ▶ **ใช้อุปกรณ์ปกป้องร่างกาย สวมแว่นตาป้องกันเสมอ** อุปกรณ์ปกป้อง เช่น หน้ากากกันฝุ่น รองเท้ากันลื่น หมวกแข็ง หรือประภทกันเสียงดัง ที่เลือกใช้ตามความเหมาะสมกับสภาพการทำงาน สามารถลดอันตรายต่อบุคคลได้
- ▶ **ป้องกันการตัดเครื่องโดยไม่ตั้งใจ** ต้องดูให้แน่ใจว่า สวิทช์อยู่ในตำแหน่งปิดก่อนเสียบปลั๊กไฟเข้าในเต้าเสียบ และ/หรือใส่แท่งแบตเตอรี่ ยึดขึ้นหรือถือเครื่องมือ การถือเครื่องมือโดยใช้นิ้วหัวที่สวิทช์ หรือเสียบปลั๊กไฟฟ้ขณะที่สวิทช์เปิดอยู่ อาจนำไปสู่อุบัติเหตุที่ร้ายแรงได้
- ▶ **เอาเครื่องมือปรับแต่งหรือประแจปากตายออกจากเครื่องมือไฟฟ้าก่อนเปิดสวิทช์** เครื่องมือหรือประแจ

ปากตายที่วางอยู่กับส่วนของเครื่องที่กำลังหมุนจะทำให้บุคคลบาดเจ็บได้

- ▶ **หลีกเลี่ยงการตั้งท่าที่ผิดปกติ** ตั้งท้ายยืนที่มั่นคงและวางน้ำหนักให้สมดุลตลอดเวลา ในลักษณะนี้ท่านสามารถควบคุมเครื่องมือไฟฟ้าในสถานการณ์ที่ไม่คาดคิดได้ดีกว่า
- ▶ **ใส่เสื้อผ้าที่เหมาะสม** อย่าใส่เสื้อผ้าหลวมหรือสวมเครื่องประดับ เอาหมวก เสื้อผ้า และถุงมือออกห่างส่วนของเครื่องที่กำลังหมุน เสื้อผ้าหลวม เครื่องประดับ และผมยาวอาจเข้าไปติดในส่วนของเครื่องที่กำลังหมุนได้
- ▶ **หากต้องต่อเครื่องมือไฟฟ้าเข้ากับเครื่องดูดฝุ่นหรือเครื่องเก็บผง** ดูให้แน่ใจว่าการเชื่อมต่อและการใช้งานเป็นไปอย่างถูกต้อง การใช้อุปกรณ์ดูดฝุ่นช่วยลดอันตรายที่เกิดจากฝุ่นได้

#### การใช้และการดูแลรักษาเครื่องมือไฟฟ้า

- ▶ **อย่าใช้เครื่องมือไฟฟ้าอย่างหักโหม** ใช้เครื่องมือไฟฟ้าที่ถูกต้องตรงตามลักษณะงาน เครื่องมือไฟฟ้าที่ถูกต้องจะทำงานได้ดีกว่าและปลอดภัยกว่าในระดับสมรรถภาพที่ออกแบบไว้
- ▶ **อย่าใช้เครื่องมือไฟฟ้าที่สวิทช์เปิดปิดเสีย** เครื่องมือไฟฟ้าที่ไม่สามารถควบคุมการเปิดปิดด้วยสวิทช์ได้ เป็นเครื่องมือไฟฟ้าที่ไม่ปลอดภัยและต้องส่งซ่อมแซม
- ▶ **ก่อนปรับแต่งเครื่อง เปลี่ยนอุปกรณ์ประกอบ หรือเก็บเครื่องเข้าที่** ต้องถอดปลั๊กไฟออกจากเต้าเสียบ และ/หรือถอดแท่งแบตเตอรี่ออกจากเครื่องมือไฟฟ้า มาตรการป้องกันเพื่อความปลอดภัยที่ช่วยลดความเสี่ยงจากการตัดเครื่องโดยไม่ตั้งใจ
- ▶ **เมื่อเลิกใช้งานเครื่องมือไฟฟ้า ให้เก็บเครื่องไว้ในที่ที่เด็กหยิบไม่ถึง และไม่อนุญาตให้บุคคลที่ไม่คุ้นเคยกับเครื่องหรือบุคคลที่ไม่ได้อ่านคำแนะนำนี้ใช้เครื่องมือไฟฟ้า** เป็นของอันตรายหากตกอยู่ในมือของผู้ใช้ที่ไม่ได้รับการฝึกฝน
- ▶ **เอาใจใส่ดูแลรักษาเครื่อง** ตรวจหาส่วนที่เคลื่อนไหวได้ของเครื่องว่าวางอยู่ตรงแนวหรือติดขัดหรือไม่ ตรวจหาการแตกหักของชิ้นส่วนและสภาพอื่นใดที่อาจมีผลต่อการทำงานของเครื่องมือไฟฟ้า หากชำรุดต้องส่งเครื่องมือไฟฟ้าซ่อมแซมก่อนใช้งาน อุบัติเหตุหลายอย่างเกิดขึ้นเนื่องจากดูแลรักษาเครื่องไม่ดีพอ
- ▶ **รักษาเครื่องมือตัดให้คมและสะอาด** หากบำรุงรักษาเครื่องมือที่มีขอบตัดแหลมคมอย่างถูกต้อง จะสามารถตัดได้สั้นไม่ติดขัดและควบคุมได้ง่ายกว่า
- ▶ **ใช้เครื่องมือไฟฟ้า อุปกรณ์ประกอบ เครื่องมือ และอุปกรณ์อื่นๆ ให้ตรงตามคำแนะนำนี้** และในลักษณะตามที่เครื่องมือไฟฟ้าประเภทนั้นๆ กำหนดไว้ โดยต้องคำนึงถึงเงื่อนไขการทำงานและงานที่จะทำด้วย การใช้เครื่องมือไฟฟ้าทำงานที่ต่างไปจากวัตถุประสงค์การใช้งานของเครื่อง อาจนำไปสู่สถานการณ์ที่เป็นอันตรายได้

#### การใช้และการดูแลรักษาเครื่องที่ใช้แบตเตอรี่

- ▶ **ชาร์จแบตเตอรี่ด้วยเครื่องชาร์จที่บริษัทผู้ผลิตระบุไว้เท่านั้น** เครื่องชาร์จที่เหมาะสมสำหรับชาร์จแบตเตอรี่ประเภทหนึ่ง หากนำไปชาร์จแบตเตอรี่ประเภทอื่น อาจเกิดไฟไหม้ได้


## 26 | ภาษาไทย

- ▶ ใช้แบตเตอรี่เฉพาะประเภทที่เครื่องมือไฟฟ้ากำหนดให้ใช้ได้ การใช้แบตเตอรี่ประเภทอื่นเสี่ยงต่อการเกิดไฟไหม้หรือบาดเจ็บ
- ▶ เมื่อไม่ใช้แบตเตอรี่ ให้เก็บแบตเตอรี่ไว้ห่างไกลหวัตุอื่นๆ เช่น ฟิล์มหมึกกระดาษ เหยี่ยว ภูเขา เตป สกรู หรือโลหะวัตถุขนาดเล็กอื่นๆ ที่สามารถต่อขั้วหนึ่งไปยังอีกขั้วหนึ่งได้ การลัดวงจรของขั้วแบตเตอรี่อาจทำให้เกิดการไหม้หรือไฟลุกได้
- ▶ เมื่อใช้แบตเตอรี่ผิดวิธี อาจมีของเหลวไหลออกมาจากแบตเตอรี่ได้ ให้หลีกเลี่ยงการสัมผัสของเหลว หากสัมผัสโดยบังเอิญ ให้ใช้น้ำล้าง หากของเหลวเข้าตา ให้ขอความช่วยเหลือจากแพทย์ด้วย ของเหลวที่ไหลออกมาจากแบตเตอรี่อาจทำให้เกิดอาการคันหรือแสบผิวหนังได้

## การบริการ

- ▶ ส่งเครื่องมือไฟฟ้าให้ช่างผู้เชี่ยวชาญตรวจสอบและใช้อะไหล่เปลี่ยนของแท้เท่านั้น ในลักษณะนี้ท่านจะแน่ใจได้ว่าเครื่องมือไฟฟ้าอยู่ในสภาพที่ปลอดภัย

## คำเตือนเพื่อความปลอดภัยสำหรับเครื่องขัด

- ▶ เครื่องนี้ใช้สำหรับการขัดแท่งเท่านั้น หากน้ำซึมลอดเข้าไปในตัวเครื่องจะเพิ่มความเสี่ยงจากการถูกไฟฟ้าดูด
  - ▶ ระวังอันตรายจากการลุกไหม้! หลีกเลี่ยงอย่าให้วัสดุชิ้นงานและเครื่องขัดร้อนเกินไป สายผงออกจากกล่องเก็บผงก้นทำงานทุกครั้ง ในสถานการณ์ที่ไม่เหมาะสม ต.ย. เช่น เมื่อเกิดประกายไฟจากโลหะที่กำลังขัด เศษผงที่ได้จากการขัดที่อยู่ในถุงเก็บผง เครื่องกรองไมโคร หรือถุงกระดาษ (หรือในถุงกรอง หรือเครื่องกรองของเครื่องดูดฝุ่น) อาจจุดลุกเป็นไฟขึ้นเองได้ โดยเฉพาะอย่างยิ่งเมื่อเศษผงผสมปนกับเศษน้ำมันเคลือบเงา เศษโพลียูรีเทน หรือเศษวัสดุเคมีอื่นๆ และเมื่อเศษผงขัดเกิดร้อนขึ้น หลังจากใช้เครื่องทำงานเป็นเวลานาน
  - ▶ ยึดชิ้นงานให้แน่น การยึดชิ้นงานด้วยเครื่องหนีบหรือแท่นจับจะมั่นคงกว่าการยึดด้วยมือ
  - ▶ รักษาสถานที่ทำงานให้สะอาด การผสมผสานของวัสดุก่อให้เกิดอันตรายอย่างยิ่ง ฝุ่นที่ได้จากโลหะหนักเบาอาจลุกไหม้หรือระเบิดได้
  - ▶ อย่าเปิดแบตเตอรี่ด้วยตนเอง อันตรายจากการลัดวงจร
-  ปกป้องแบตเตอรี่จากความร้อน ต.ย. เช่น จากแสงแดดจ้าที่ส่องอย่างต่อเนื่อง ไฟ น้ำ และความชื้น อันตรายจากการระเบิด
- ▶ ในกรณีที่แบตเตอรี่ชำรุดและใช้แบตเตอรี่อย่างไม่ถูกต้อง อาจมีไอระเหยออกมา ให้สูดอากาศบริสุทธิ์ และหาแพทย์ในกรณีเจ็บปวด ไอระเหยอาจทำให้ระบบหายใจระคายเคือง

## ข้อมูลทางเทคนิค

เครื่องขัดสันสะเทือน		GSS 14.4 V-Li	GSS 18 V-Li
หมายเลขสินค้า		3 601 JD0 1..	3 601 JD0 2..
แรงดันไฟฟ้ากำหนด	V=	14.4	18
ความเร็วรอบเดินตัวเปล่า	รอบ/นาที	11 000	11 000
*ขึ้นอยู่กับแบตเตอรี่แพคที่ใช้			

1 609 92A 1X0 | (24.10.16)

- ▶ ใช้แบตเตอรี่เฉพาะกับผลิตภัณฑ์ของ บอช ของท่านเท่านั้น เฉพาะมาตรฐานนี้เพียงลำพังจะช่วยปกป้องแบตเตอรี่จากการใช้งานเกินกำลังซึ่งเป็นอันตราย
- ▶ วัตถุที่แหลมคม ต.ย. เช่น ตะปูหรือไขควง หรือแรงกระทำภายนอก อาจทำให้แบตเตอรี่เสียหายได้ สิ่งเหล่านี้อาจทำให้เกิดการลัดวงจรภายในและแบตเตอรี่ใหม่ มีควัน ระเบิด หรือร้อนเกินไป

## รายละเอียดผลิตภัณฑ์และข้อมูลจำเพาะ



ต้องอ่านคำเตือนเพื่อความปลอดภัยและคำสั่งทั้งหมด การไม่ปฏิบัติตามคำเตือนและคำสั่งอาจเป็นสาเหตุให้ถูกไฟฟ้าดูด เกิดไฟไหม้ และ/หรือได้รับบาดเจ็บอย่างร้ายแรง

## ประโยชน์การใช้งานของเครื่อง

เครื่องนี้ใช้สำหรับการขัดแท่งบนเนื้อไม้ พลาสติค วัสดุเหลว ใช้อุดเนื้อไม้ และผิวเคลือบเงา

## ส่วนประกอบผลิตภัณฑ์

ลำดับเลขของส่วนประกอบผลิตภัณฑ์อ้างอิงถึงส่วนประกอบของเครื่องที่แสดงในหน้าภาพประกอบ

- 1 กล่องเก็บผง สมบูรณ์แบบ (Microfilter System)
- 2 ก้านหนีบท้าย
- 3 แผ่นฐานขัด
- 4 ก้านหนีบ (2x)
- 5 กระดาษทราย\*
- 6 ก้านหนีบหน้า
- 7 สวิทช์เปิด-ปิด
- 8 ปุ่มสำหรับไฟแสดงสถานะการชาร์จ\*
- 9 ไฟแสดงสถานะการชาร์จแบตเตอรี่\*
- 10 แบตเตอรี่แพค
- 11 แป้นปลดล็อกแบตเตอรี่
- 12 ด้ามจับ (พื้นผิวจับหุ้มฉนวน)
- 13 ทอระบายออก
- 14 ตัวกรอง (Microfilter System)\*
- 15 ขั้วปรับที่ดูดฝุ่น\*
- 16 ท่อดูดฝุ่น\*
- 17 เครื่องมือเจาะรู\*

\*อุปกรณ์ประกอบที่แสดงหรือระบุไม่รวมอยู่ในการจัดส่งมาตรฐาน กรุณาดูอุปกรณ์ประกอบทั้งหมดในรายการแสดงอุปกรณ์ประกอบของเรา

Bosch Power Tools

ภาษาไทย | 27

เครื่องขัดสันสะเทือน		GSS 14,4 V-Li	GSS 18 V-Li
อัตราแกว่งสันสะเทือนเดินตัวเปล่า	รอบ/นาที	22000	22000
พื้นที่กระดาดทราย	ซม. <sup>2</sup>	114.7	114.7
เส้นผ่าศูนย์กลาง ระยะแกว่งสะเทือน	มม.	1.6	1.6
มิติ	มม.	199,5 x 113 x 141	199,5 x 113 x 141
น้ำหนักตามระเบียบการ-EPTA-Procedure 01:2014	กก.	1.2/1.4*	1.3/1.5*

\*ขึ้นอยู่กับแบตเตอรี่แพ็คที่ใช้

แบตเตอรี่		GSS 14,4 V-Li	GSS 18 V-Li
อุณหภูมิแวดล้อม ที่อนุญาต			
- เมื่อชาร์จ	°C	0...+45	0...+45
- เมื่อทำงาน*	°C	-20...+50	-20...+50
- เมื่อเก็บรักษา	°C	-20...+60	-20...+60
แบตเตอรี่ที่แนะนำ		GBA 14,4V x,xAh M-	GBA 18V x,xAh M-

\* ผลการทำงานน้อยลงที่อุณหภูมิ &lt; 0 °C

## การประกอบ

- ▶ **บล็อกสวิตช์เปิด-ปิดให้อยู่ในตำแหน่งปิด ก่อนทำการปรับแต่งใดๆ ที่เครื่องมือไฟฟ้า (ต. ย. เช่น บำรุงรักษา เปลี่ยนเครื่องมือ และอื่นๆ) รวมทั้งเมื่อขนย้าย และจัดเก็บ** ในกรณีที่เกิดสวิตช์เปิด-ปิดโดยไม่ตั้งใจ จะเกิดอันตรายและได้รับบาดเจ็บได้

### การชาร์จแบตเตอรี่

- ▶ **ใช้เฉพาะเครื่องชาร์จแบตเตอรี่ตามรายการในหน้าอุปกรณ์ประกอบเท่านั้น** เฉพาะเครื่องชาร์จแบตเตอรี่เหล่านี้เท่านั้นที่เข้าชุดกับแบตเตอรี่ลิเธียม ไอออน ของเครื่องมือไฟฟ้าของท่าน

**หมายเหตุ:** แบตเตอรี่ที่จัดส่งได้รับการชาร์จไฟไว้บ้างแล้ว เพื่อให้แบตเตอรี่ทำงานได้เต็มประสิทธิภาพ ต้องชาร์จแบตเตอรี่ในเครื่องชาร์จแบตเตอรี่ให้เต็มก่อนใช้งานเครื่องมือไฟฟ้าของท่านเป็นครั้งแรก

แบตเตอรี่ลิเธียม ไอออน สามารถชาร์จได้ตลอดเวลาโดยอายุการใช้งานจะไม่ลดลง การชาร์จทิ้งหวัะกระบวนการชาร์จไม่ทำให้แบตเตอรี่เสียหาย

"Electronic Cell Protection (ECP)" ป้องกันไม่ให้แบตเตอรี่ Li-ion จ่ายกระแสไฟฟ้ออกอีก เมื่อแบตเตอรี่หมดไฟ วงจรป้องกันจะดับสวิตช์เครื่อง เครื่องมือที่ใส่อยู่จะไม่หมุนต่อ

- ▶ **หลังจากเครื่องดับสวิตช์โดยอัตโนมัติ อย่ากดสวิตช์เปิด-ปิดต่อ** แบตเตอรี่อาจเสียหายได้

เมื่อต้องการถอดแบตเตอรี่แพ็ค **10** ออก ให้กดแป้นปลดล็อก **11** และดึงแบตเตอรี่แพ็คทางด้านข้างออกจากเครื่องมือไฟฟ้าอย่าใช้กำลังดึง

อ่านและปฏิบัติตามข้อสังเกตสำหรับการกำจัดขยะ

### การเปลี่ยนกระดาดทราย

เมื่อต้องการใส่กระดาดทรายแผ่นใหม่ ให้เอาฝุ่นหรือเศษวัสดุใดๆ ออกจากแผ่นฐาน **3** (ต. ย. เช่น ใช้แปรงปัด) เพื่อดูดฝุ่นออกได้ดีที่สุด ต้องเอาใจใส่ดูให้รูเจาะในกระดาดทรายตรงกับรูในแผ่นฐานขัด

### กระดาดทรายชนิดไม่เชื่อมประสาน (ดูภาพประกอบ A - C)

- ▶ ปลดก้านหนีบทั้งสอง 4 ออกจากล็อกและหมุนก้านลงมา
- ▶ จับกระดาดทราย 5 สอดใต้ก้านหนีบท้าย 2 ตรวจสอบให้แน่ใจว่ากระดาดทราย 5 ไม่ลื่นเกินไปและได้ถูกยึดหนีบไว้อย่างถูกต้องหมุนก้านหนีบ 4 กลับไปที่ตำแหน่งเริ่มต้น และล็อกก้านไว้ตรงนั้น
- ▶ วางกระดาดทรายเหยียดให้ตั้งรอบแผ่นฐานขัด 3 ยึดส่วนหน้าของกระดาดทรายโดยหนีบไว้ใต้ก้านหนีบหน้า 6 ตรวจสอบให้แน่ใจว่ากระดาดทราย 5 ไม่ลื่นเกินไปและได้ถูกยึดหนีบไว้อย่างถูกต้องหมุนก้านหนีบ 4 กลับไปที่ตำแหน่งเริ่มต้น และล็อกก้านไว้ตรงนั้น

กระดาดทรายที่ไม่มีรู ต. ย. เช่น กระดาดทรายที่จำหน่ายเป็นม้วนหรือเป็นเมตร สามารถนำมาเจาะรูเพื่อดูดฝุ่นออกด้วยเครื่องมือเจาะรู 17 เมื่อต้องการเจาะรู ให้กดเครื่องมือไฟฟ้าที่ประกอบกระดาดทรายแล้วลงบนเครื่องมือเจาะรู (ดูภาพประกอบ F)

เมื่อต้องการถอดกระดาดทราย 5 ให้ปลดก้านหนีบทั้งสอง 4 ออก และดึงกระดาดทรายออกจากที่ยึด

### การเลือกกระดาดทราย

เลือกใช้กระดาดทรายชนิดต่างๆ กัน ตามประเภทวัสดุชิ้นงาน และตามความหนาบางที่ต้องการขัดออก:

ขนาดเม็ดทราย	
<b>red:Wood</b>	40-180
<b>สำหรับขัดไม้ทุกประเภท</b>	
สำหรับขัดหยาบ ต. ย. เช่น ไม้คาน พยายาม และแผ่นกระดานขรุขระไม่ราบเรียบ	40
สำหรับขัดแต่งพื้นหน้าและปรับผิวขรุขระเล็กน้อยให้เรียบ	ปานกลาง 80, 120
สำหรับขัดไม้ชั้นสำเร็จและขัดละเอียด	ละเอียด 180

## ขนาดเม็ดทราย

**white Paint**

40–180

สำหรับขัดสี/ผิวเคลือบเงา

หรือวัสดุรองพื้น และวัสดุอุดรู

สำหรับขัดสีออก	หยาบ	40
สำหรับขัดสีรองพื้น	ปานกลาง	80, 120
สำหรับขัดสีรองพื้นขั้นสุดท้าย ก่อนฉาบผิว	ละเอียด	180

เมื่อต้องการขัดตกแต่งและขัดเงา โดยเฉพาะอย่างยิ่งวัสดุที่เป็นโลหะและหิน ให้ใช้ผ้าขนแกะ/ผ้าสักหลาดขัดเงา ใช้ผ้าขนแกะและผ้าสักหลาดขัดเงาชนิดต่างๆ กัน ทั้งนี้ขึ้นอยู่กับคุณภาพผิวของชิ้นงานที่ต้องการ

**การดูดฝุ่น/ขี้เลื่อย**

▶ ฝุ่นที่ได้จากวัสดุ เช่น เคลือบผิวที่มีสารตะกั่ว ไม้บางประเภท แร่ธาตุ และโลหะ อาจเป็นอันตรายต่อสุขภาพ การสัมผัสหรือการหายใจเอาฝุ่นเข้าไปอาจทำให้เกิดปฏิกิริยาแพ้ฝุ่นและ/หรือนำมาซึ่งโรคติดเชื้อระบบหายใจแก่ผู้ใช้เครื่องมือหรือผู้ที่ยืนอยู่ใกล้เคียง  
ฝุ่นบางประเภท เช่น ฝุ่นไม้โอ๊ก หรือไม้บีช นับเป็นสารที่ทำให้เกิดมะเร็ง โดยเฉพาะอย่างยิ่งเมื่อผสมกับสารเติมแต่งเพื่อบำบัดไม้ (โครเมต ผลิตภัณฑ์รักษาเนื้อไม้) สำหรับวัสดุที่มีแอลกอฮอล์ต้องให้ผู้เชี่ยวชาญทำงานเท่านั้น

- ใช้ระบบดูดฝุ่นออกที่เหมาะสมกับประเภทวัสดุ มากเท่าที่จะทำได้
- จัดสถานที่ทำงานให้มีการระบายอากาศที่ดี
- ขอแนะนำให้สวมหน้ากากป้องกันการติดเชื้อที่มีระดับ-ไส้กรอง P2

ปฏิบัติตามกฎข้อบังคับสำคัญอื่นๆ ที่เกี่ยวกับวัสดุชิ้นงานที่บังคับใช้ในประเทศของท่าน

▶ **ป้องกันการสะสมของฝุ่นในสถานที่ทำงาน** ฝุ่นสามารถถูกใหม่อย่างง่ายตาย

**การดูดฝุ่นในตัวด้วยกล่องเก็บผง (รูปภาพประกอบ D1 – D4)**

สวมกล่องเก็บผง 1 เข้าบนท่อระบายออก 13 ให้เข้าล็อก เมื่อต้องการถ่ายผงในกล่องเก็บผง 1 ออก ให้ดึงกล่องเก็บผงลงด้านล่าง

เมื่อจะเปิดกล่องเก็บผง 1 ขอแนะนำให้เอาผงออกจากตัวกรองก่อน โดยจับตัวกรองเคาะลงบนพื้นแข็ง (ดังแสดงในภาพประกอบ)

จับกล่องเก็บผง 1 ตรงส่วนว่า ดันตัวกรอง 14 ขึ้นด้านบน และถ่ายผงออก ทำความสะอาดแผ่นโลหะบางของตัวกรอง 14 ด้วยแปรงขนอ่อน

**การดูดฝุ่นด้วยเครื่องดูดฝุ่นภายนอก (รูปภาพประกอบ E)**

เลื่อนข้อต่อท่อดูดออก 15 เข้าบนท่อระบายออก 13 ดูให้ก้านล็อกของข้อต่อท่อดูดออกขบเข้า ข้อต่อท่อดูดออก 15 สามารถต่อเข้ากับท่อดูดฝุ่นที่มีขนาดเส้นผ่าศูนย์กลาง 19 มม.

ดูภาพรวมการเชื่อมต่อกับเครื่องดูดฝุ่นต่างๆ ได้ที่ตอนท้ายของคู่มือการใช้งานฉบับนี้

เมื่อต้องการถอดข้อต่อท่อดูดออก 15 ให้กดตรงท้ายก้านล็อกเข้าหากันและดึงข้อต่อท่อดูดออก

เครื่องดูดฝุ่นต้องมีลักษณะการใช้งานที่เหมาะสมกับประเภทวัสดุชิ้นงาน

ในกรณีดูดฝุ่นแห้งที่เป็นอันตรายต่อสุขภาพอย่างยิ่งหรืออาจก่อให้เกิดมะเร็งได้ ให้ใช้เครื่องดูดฝุ่นพิเศษ

**การปฏิบัติงาน****เริ่มต้นปฏิบัติงาน****การใส่แบตเตอรี่**

▶ **ใช้เฉพาะแบตเตอรี่ลิเธียม ไอออน ของแท้ของ บอช ที่มีแรงดันไฟฟ้าตามที่ระบุไว้บนแผ่นป้ายติดของเครื่องมือไฟฟ้าของท่านเท่านั้น** การใช้แบตเตอรี่ประเภทอื่นอาจทำให้ได้รับบาดเจ็บและเสี่ยงต่อการเกิดไฟไหม้

**การเปิด-ปิดเครื่อง**

เปิดเครื่องทำงานโดยกดสวิตช์เปิด-ปิด 7 ไปทางขวาที่ตำแหน่ง "I"

ปิดเครื่องโดยกดสวิตช์เปิด-ปิด 7 ไปทางซ้ายที่ตำแหน่ง "0"

**การแสดงสถานะการชาร์จแบตเตอรี่ (รูปภาพประกอบ A)**

ไฟสัญญาณ LED สีเขียวสามดวงที่เป็นไฟแสดงสถานะการชาร์จแบตเตอรี่ 9 บ่งบอกถึงสถานะการชาร์จของแบตเตอรี่ 10 เพื่อความปลอดภัย สถานะภาพของการชาร์จสามารถตรวจสอบได้เมื่อเครื่องหยุดนิ่งอยู่กับที่เท่านั้น

กดปุ่ม 8 เพื่อแสดงสถานะการชาร์จ สามารถแสดงสถานะการชาร์จเมื่อแบตเตอรี่ 10 ถูกลดออกไปแล้วด้วยเช่นกัน

LED	ความจุ
ส่องสว่างต่อเนื่อง 3 x สีเขียว	≥ 2/3
ส่องสว่างต่อเนื่อง 2 x สีเขียว	≥ 1/3
ส่องสว่างต่อเนื่อง 1 x สีเขียว	< 1/3
ไฟกะพริบ 1 x สีเขียว	ล้าร่วม

เมื่อกดปุ่ม 8 แล้วไฟสัญญาณ LED ไม่ติดขึ้น แสดงว่าแบตเตอรี่ชำรุดและต้องเปลี่ยนใหม่

**การป้องกันการใช้งานเกินกำลังโดยอาศัยอุณหภูมิ**

หากใช้เครื่องมือไฟฟ้าทำงานตามจุดประสงค์ เครื่องจะไม่ถูกใช้งานเกินกำลัง แต่หากเครื่องถูกใช้งานเกินกำลังมากๆ หรือเมื่อแบตเตอรี่มีอุณหภูมิสูงเกินกว่าอุณหภูมิแบตเตอรี่ที่อนุญาต 65 องศาเซลเซียส ระบบควบคุมอิเล็กทรอนิกส์จะดับสวิตช์เครื่องมือไฟฟ้าจนกว่าแบตเตอรี่จะอยู่ในฟิลล์อุณหภูมิที่เหมาะสมที่สุดอีกครั้งหนึ่ง

**ข้อแนะนำในการทำงาน**

▶ **ก่อนวางเครื่องลงบนพื้น ต้องรองจนเครื่องหยุดนิ่งอยู่กับที่แล้ว**

ขณะขัด ประสิทธิภาพในการขัดออก ส่วนใหญ่จะถูกกำหนดโดยชนิดของกระดาษทรายที่เลือกใช้

กระดาษทรายสภาพดีเท่านั้นที่จะขัดได้ดีมีประสิทธิภาพและช่วยยืดอายุการใช้งานของเครื่อง

เอาใจใส่กับเครื่องลงบนชิ้นงานด้วยแรงกดที่ราบเรียบ  
เสมอกันเพื่อยืดอายุการทำงานของกระดาษทราย

การกดเครื่องลงมากเกินไปไม่ช่วยเพิ่มประสิทธิภาพการขัด  
แต่จะทำให้เครื่องและกระดาษทรายสึกเร็วขึ้น

กระดาษทรายที่ขัดโลหะไปแล้ว ไม่ควรนำมาขัดวัสดุ  
ประเภทอื่น

ใช้เฉพาะอุปกรณ์ขัดของแท่งของ บ็อช เท่านั้น

**ข้อแนะนำในการปฏิบัติต่อแบตเตอรี่ที่เหมาะสมที่สุด**  
ปกป้องแบตเตอรี่จากความชื้นและน้ำ

เก็บแบตเตอรี่ไว้ในที่แห้งอุณหภูมิระหว่าง 0 °C และ 50 °C  
เท่านั้น ตัวอย่าง เช่น ต้องไม่ทิ้งแบตเตอรี่ไว้ในรถยนต์ใน  
ฤดูร้อน

ทำความสะอาดช่องระบายอากาศเป็นครั้งคราวโดยใช้แปรง  
ขนอ่อนที่แห้งและสะอาด

หลังจากชาร์จแบตเตอรี่แล้ว หากแบตเตอรี่มีช่วงเวลา  
ทำงานสั้นมาก แสดงว่าแบตเตอรี่เสื่อมและต้องเปลี่ยนใหม่

อ่านและปฏิบัติตามข้อสังเกตสำหรับการกำจัดขยะ

## การบำรุงรักษาและการบริการ

### การบำรุงรักษาและการทำความสะอาด

▶ **ปลอกสวิตช์เปิด-ปิดให้อยู่ในตำแหน่งปิด ก่อนทำการ  
ปรับแต่งใดๆ ที่เครื่องมือไฟฟ้า (ดู ย. เช่น บำรุงรักษา  
เปลี่ยนเครื่องมือ และอื่นๆ) รวมทั้งเมื่อขนย้าย และ  
จัดเก็บ** ในกรณีที่กดสวิตช์เปิด-ปิดโดยไม่ตั้งใจ จะเกิด  
อันตรายและได้รับบาดเจ็บได้

▶ **เพื่อให้ทำงานได้อย่างถูกต้องและปลอดภัย ต้องรักษา  
เครื่องและช่องระบายอากาศให้สะอาดอยู่เสมอ**

หากแบตเตอรี่ใช้งานต่อไปอีกไม่ได้ กรุณาติดต่อศูนย์บริการ  
หลังการขายสำหรับเครื่องมือไฟฟ้า บ็อช ที่ได้รับแต่งตั้ง

### การบริการหลังการขายและคำแนะนำการใช้งาน

ศูนย์บริการหลังการขายของเรายินดีตอบคำถามเกี่ยวกับ  
การบำรุงรักษาและการซ่อมแซมผลิตภัณฑ์ของท่าน รวมทั้ง  
ชิ้นส่วนอะไหล่ ภาพแยกชิ้นประกอบและข้อมูลเกี่ยวกับ  
ชิ้นส่วนอะไหล่ยังสามารถดูได้ที่:

**www.bosch-pt.com**

ทีมงานให้คำแนะนำการใช้งานของ บ็อช ยินดีตอบคำถาม  
เกี่ยวกับผลิตภัณฑ์ของเราและอุปกรณ์ประกอบของผลิตภัณฑ์

เมื่อต้องการสอบถามและสั่งซื้ออะไหล่ กรุณาแจ้งหมายเลข  
สินค้าหลักกับบนแผ่นป้ายรุ่นของเครื่องทุกครั้ง

ในกรณีประกัน ซ่อมแซม หรือซื้อชิ้นส่วนมาเปลี่ยน  
กรุณาติดต่อ ผู้ขายที่ได้รับแต่งตั้งเท่านั้น

## ไทย

บริษัท โรเบิร์ต บ็อช จำกัด  
ชั้น 11 ตึกลิเบอร์ตี สแควร์  
287 ถนนสีลม บางรัก  
กรุงเทพฯ 10500  
โทรศัพท์ 02 6393111, 02 6393118  
โทรสาร 02 2384783  
บริษัท โรเบิร์ต บ็อช จำกัด ตู้ ปณ. 2054  
กรุงเทพฯ 10501 ประเทศไทย  
www.bosch.co.th

ศูนย์บริการซ่อมและฝึกอบรม บ็อช  
อาคาร ลาซาลทาวเวอร์ ชั้น G ห้องเลขที่ 2  
บ้านเลขที่ 10/11 หมู่ 16  
ถนนศรีนครินทร์  
ตำบลบางแก้ว อำเภอบางพลี  
จังหวัดสมุทรปราการ 10540  
ประเทศไทย  
โทรศัพท์ 02 7587555  
โทรสาร 02 7587525

## การขนส่ง


แบตเตอรี่ลิเธียม ไอออน ที่บรรจุอยู่ภายใต้ข้อกำหนดแห่ง  
กฎหมายสินค้าอันตราย ผู้ใช้สามารถขนส่งแบตเตอรี่โดยทาง  
ถนนโดยไม่มีข้อบังคับอื่น

หากขนส่งโดยบุคคลที่สาม (เช่น: การขนส่งทางอากาศ หรือ  
ตัวแทนขนส่งสินค้า) ต้องปฏิบัติตามข้อกำหนดพิเศษเกี่ยวกับ  
การบรรจุภัณฑ์และการติดฉลาก ในการจัดเตรียมสิ่งของที่จะ  
จัดส่ง ต้องปรึกษาผู้เชี่ยวชาญสำหรับวัตถุอันตราย

ส่งแบตเตอรี่เมื่อตัวหุ้มไม่ชำรุดเสียหายเท่านั้น ใช้แถบกาวยึด  
ปิดหน้าสัมผัสที่เปิดอยู่ และนำแบตเตอรี่ใส่กล่องบรรจุโดย  
ไม่ให้เคลื่อนไหวมาในกล่องได้

นอกจากนี้กรุณาปฏิบัติตามกฎระเบียบของประเทศซึ่งอาจมี  
รายละเอียดเพิ่มเติม

## การกำจัดขยะ

 เครื่อง แบตเตอรี่ที่นำกลับมาชาร์จใหม่ได้ อุปกรณ์  
ประกอบ และทิปห่อ ต้องนำไปแยกประเภทวัสดุ  
เพื่อนำกลับมาใช้ใหม่โดยไม่ทำลายสภาพแวดล้อม

อย่าทิ้งเครื่องมือไฟฟ้าและแบตเตอรี่/แบตเตอรี่ที่นำกลับมา  
ชาร์จใหม่ได้ ลงในขยะบ้าน!

## แบตเตอรี่ลิเธียม/แบตเตอรี่:



## Li-ion:

กรุณาปฏิบัติตามคำสั่งในบท  
"การขนส่ง" หน้า 29

ขอสงวนสิทธิ์ในการเปลี่ยนแปลงโดยไม่ต้องแจ้งล่วงหน้า

## Bahasa Indonesia

### Petunjuk-Petunjuk untuk Keselamatan Kerja

#### Petunjuk-Petunjuk Umum untuk Perkakas Listrik

**⚠ PERHATIKANLAH** Bacalah semua petunjuk-petunjuk untuk keselamatan kerja dan petunjuk-petunjuk untuk penggunaan.

Kesalahan dalam menjalankan petunjuk-petunjuk untuk keselamatan kerja dan petunjuk-petunjuk untuk penggunaan dapat mengakibatkan kontak listrik, kebakaran dan/atau luka-luka yang berat.

**Simpanlah semua petunjuk-petunjuk untuk keselamatan kerja dan petunjuk-petunjuk lainnya untuk penggunaan di masa depan.**

Kata „perkakas listrik“ yang disebutkan di dalam petunjuk-petunjuk untuk keselamatan kerja adalah sebutan untuk perkakas listrik pakai listrik jaringan (dengan kabel) dan untuk perkakas listrik tenaga baterai (tanpa kabel listrik).

#### Keselamatan kerja di tempat kerja

- ▶ **Jagalah supaya tempat kerja selalu bersih dan terang.** Tempat kerja yang tidak rapi atau tidak terang dapat mengakibatkan terjadinya kecelakaan.
- ▶ **Janganlah menggunakan perkakas listrik di tempat di mana dapat terjadi ledakan, di mana ada cairan, gas atau debu yang mudah terbakar.** Perkakas listrik dapat memancarkan bunga api yang lalu mengakibatkan debu atau uap terbakar.
- ▶ **Selama menggunakan perkakas listrik, jauhkan anak-anak dan orang-orang lain dari tempat kerja.** Jika konsentrasi terganggu, bisa jadi Anda tidak bisa mengendalikan perkakas listrik tersebut.

#### Keamanan listrik

- ▶ **Steker dari perkakas listrik harus cocok pada stopkontak.** Janganlah sekali-kali merubah steker. Janganlah menggunakan steker perantara bersama dengan perkakas listrik yang mempunyai hubungan arde. Steker yang tidak dirubah dan stopkontak yang cocok mengurangi bahaya terjadinya kontak listrik.
- ▶ **Jagalah supaya badan Anda tidak bersentuhan dengan permukaan yang mempunyai hubungan arde, misalnya pipa-pipa, radiator pemanas ruangan, kompor listrik dan lemari es.** Ada risiko besar terjadi kontak listrik, jika badan Anda mempunyai hubungan arde.
- ▶ **Jagalah supaya perkakas listrik tidak kena hujan atau menjadi basah.** Air yang masuk ke dalam perkakas listrik menambah risiko terjadinya kontak listrik.
- ▶ **Janganlah menyalah gunakan kabel listrik untuk mengangkat dan menggantungkan perkakas listrik atau untuk menarik steker dari stopkontak.** Jagalah supaya kabel listrik tidak kena panas, minyak, pinggiran yang tajam atau bagian-bagian perkakas yang bergerak. Kabel listrik yang rusak atau tersangkut menambah risiko terjadinya kontak listrik.

- ▶ **Jika Anda menggunakan perkakas listrik di luar gedung, gunakanlah hanya kabel sambungan yang juga cocok untuk pemakaian di luar gedung.** Penggunaan kabel sambungan yang cocok untuk pemakaian di luar gedung mengurangi risiko terjadinya kontak listrik.
- ▶ **Jika penggunaan perkakas listrik di tempat yang basah tidak bisa dihindarkan, gunakanlah sakelar pengaman terhadap arus penyimpangan.** Penggunaan sakelar pengaman terhadap arus penyimpangan mengurangi risiko terjadinya kontak listrik.

#### Keselamatan kerja

- ▶ **Berhati-hatilah selalu, perhatikanlah apa yang Anda kerjakan dan bekerjalah dengan seksama jika menggunakan perkakas listrik.** Janganlah menggunakan perkakas listrik, jika Anda capai atau berada di bawah pengaruh narkoba, minuman keras atau obat. Jika Anda sekejap mata saja tidak berhati-hati sewaktu menggunakan perkakas listrik, dapat terjadi luka-luka berat.
- ▶ **Pakailah pakaian dan sarana pelindung dan pakailah selalu kaca mata pelindung.** Dengan memakai pakaian dan sarana pelindung, misalnya kedok anti debu (masker), sepatu tertutup yang tidak licin, helm pelindung atau pemalut telinga sesuai dengan pekerjaan yang dilakukan dengan perkakas listrik, bahaya terjadinya luka-luka dapat dikurangi.
- ▶ **Jagalah supaya perkakas listrik tidak dihidupkan secara tidak disengaja.** Perhatikan bahwa perkakas listrik dalam penyetelan mati, jika steker disambungkan pada pengadaaan listrik dan/atau baterai, jika perkakas listrik diangkat atau dibawa. Jika selama mengangkat perkakas listrik jari Anda berada pada tombol untuk menghidupkan dan mematikan atau perkakas listrik yang dalam penyetelan hidup disambungkan pada listrik, dapat terjadi kecelakaan.
- ▶ **Lepaskan semua perkakas-perkakas penyetelan atau kunci-kunci pas sebelum perkakas listrik dihidupkan.** Perkakas atau kunci yang berada di dalam bagian yang berputar dapat mengakibatkan terjadinya luka-luka.
- ▶ **Aturkan badan sedemikian sehingga Anda bisa bekerja dengan aman. Berdirilah secara mantap dan jagalah selalu keseimbangan.** Dengan demikian Anda bisa mengendalikan perkakas listrik dengan lebih baik, jika terjadi sesuatu dengan tiba-tiba.
- ▶ **Pakailah pakaian yang cocok.** Janganlah memakai pakaian yang longgar atau perhiasan. Jagalah supaya rambut, pakaian dan sarung tangan tidak masuk dalam bagian-bagian perkakas yang bergerak. Pakaian yang longgar, rambut panjang atau perhiasan dapat tersangkut dalam bagian perkakas yang bergerak.
- ▶ **Jika ada kemungkinan untuk memasang sarana penghisapan dan penampungan debu, perhatikan bahwa sarana-sarana ini telah dipasangkan dan digunakan dengan betul.** Penggunaan sarana penghisapan bisa mengurangi bahaya yang disebabkan debu.

### Penggunaan dan penanganan perkakas listrik dengan seksama

- ▶ **Janganlah membebankan perkakas listrik terlalu berat. Gunakan selalu perkakas listrik yang cocok untuk pekerjaan yang dilakukan.** Dengan perkakas listrik yang cocok Anda bekerja lebih baik dan lebih aman dalam batas-batas kemampuan yang ditentukan.
- ▶ **Janganlah menggunakan perkakas listrik yang tombolnya rusak.** Perkakas listrik yang tidak bisa dihidupkan atau dimatikan, berbahaya dan harus direparasikan.
- ▶ **Tariklah steker dari stopkontak dan/atau keluarkan baterai, sebelum Anda melakukan penyetulan pada perkakas listrik, mengganti alat-alat kerja atau sebelum menyimpan perkakas listrik.** Tindakan keselamatan kerja ini mengurangi bahaya perkakas listrik hidup secara tidak disengaja.
- ▶ **Simpanlah perkakas listrik yang tidak digunakan di luar jangkauan anak-anak. Janganlah mengizinkan orang-orang yang tidak mengenal perkakas listrik ini atau yang belum membaca petunjuk-petunjuk ini, menggunakan perkakas listrik ini.** Perkakas listrik bisa menjadi berbahaya, jika digunakan oleh orang-orang yang tidak mengenalnya.
- ▶ **Rawatlah perkakas listrik dengan seksama. Periksa, apakah bagian-bagian perkakas listrik yang bergerak berfungsi dengan baik dan tidak tersangkut, apakah ada bagian-bagian yang patah atau rusak sedemikian, sehingga dapat mempengaruhi jalannya perkakas listrik. Biarkan bagian-bagian perkakas yang rusak direparasikan, sebelum Anda mulai menggunakan perkakas listrik.** Banyak kecelakaan terjadi karena perkakas listrik tidak dirawat dengan seksama.
- ▶ **Perhatikan supaya alat-alat pemotong selalu tajam dan bersih.** Alat-alat pemotong dengan mata-mata pemotong yang tajam dan dirawat dengan seksama tidak mudah tersangkut dan lebih mudah dikendalikan.
- ▶ **Gunakanlah semua perkakas listrik, aksesoris, alat-alat kerja dsb. sesuai dengan petunjuk-petunjuk. Perhatikan syarat-syarat kerja dan macam pekerjaan yang dilakukan.** Penggunaan perkakas listrik untuk macam pekerjaan yang tidak cocok dengan kegunaannya bisa mengakibatkan keadaan yang berbahaya.

### Penanganan dan penggunaan perkakas-perkakas pakai baterai dengan seksama

- ▶ **Isikan baterai hanya dalam alat-alat pencas baterai yang dianjurkan oleh pabrik.** Jika suatu alat pencas baterai yang cocok untuk mengisi satu macam baterai tertentu, digunakan untuk mengisi baterai-baterai lainnya, ada bahaya terjadinya kebakaran.
- ▶ **Gunakanlah hanya baterai-baterai yang cocok dan khusus untuk masing-masing perkakas listrik.** Penggunaan baterai-baterai lain dapat mengakibatkan terjadinya luka-luka dan kebakaran.
- ▶ **Jika baterai tidak digunakan, jauhkan baterai dari klip untuk kertas, uang logam, kunci, paku, sekrup atau benda-benda kecil dari logam lainnya, yang dapat menjembatani kontak-kontak.** Korsleting antara kontak-kontak baterai dapat mengakibatkan kebakaran atau api.

- ▶ **Jika baterai tidak digunakan dengan betul, dapat keluar cairan dari baterai. Jagalah supaya Anda tidak terkena pada cairan ini. Jika secara tidak disengaja Anda terkena pada cairan ini, cucikan dengan air. Jika cairan tersebut terkena pada mata, selain tindakan di atas, segera hubungi seorang dokter.** Cairan yang keluar dari baterai dapat mengakibatkan gangguan pada kulit atau kebakaran.

### Servis

- ▶ **Biarkan perkakas listrik Anda direparasikan hanya oleh orang-orang ahli yang berpengalaman dan hanya dengan menggunakan suku cadang yang asli.** Dengan demikian terjamin keselamatan kerja dengan perkakas listrik ini secara berkesinambungan.

### Petunjuk-petunjuk untuk keselamatan kerja untuk mesin gerinda

- ▶ **Gunakanlah perkakas listrik ini hanya untuk pengampelasan tanpa air.** Air yang masuk ke dalam perkakas listrik membuat risiko terjadinya kontak listrik menjadi besar.
- ▶ **Ada bahaya terjadi kebakaran! Perhatikanlah supaya benda yang dikerjakan dan perkakas tidak menjadi terlalu panas. Sebelum istirahat kerja, kosongkan selalu penampung debu.** Debu ampelas di dalam kantung debu, filter mikro, kantung kertas (atau di dalam kantung filter atau filter dari alat penghisap debu) kadang-kadang bisa terbakar dengan sendirinya, misalnya oleh pemancaran bunga api yang terjadi selama mengerjakan logam-logam. Bahaya menjadi lebih besar jika debu tercampur dengan sisa-sisa cat, poliuretan atau bahan-bahan kimia lainnya dan jika benda yang dikerjakan menjadi panas setelah digunakan untuk waktu yang lama.
- ▶ **Usahakan supaya benda yang dikerjakan tidak goyang.** Benda yang ditahan dalam alat pemegang atau bais lebih mantap daripada benda yang dipegang dengan tangan.
- ▶ **Jagalah supaya tempat di mana Anda bekerja selalu bersih.** Campuran bahan-bahan sangat membahayakan. Debu logam ringan bisa terbakar atau meledak.
- ▶ **Janganlah membuka baterai.** Ada bahaya terjadinya korsleting.



**Lindungilah baterai terhadap panas, misalnya juga terhadap penyinaran matahari yang lama, api, air dan kelembaban.** Ada bahaya terjadinya ledakan.

- ▶ **Jika baterai rusak dan jika baterai digunakan salah, baterai bisa mengeluarkan uap. Biarkan udara segar mengalir masuk dan jika Anda merasa tidak enak badan, pergilah ke dokter.** Uap tersebut bisa mengganggu saluran pernafasan.
- ▶ **Gunakan baterai hanya untuk produk Bosch milik Anda.** Dengan demikian baterai dilindungi terhadap penggunaan yang terlalu berat yang membahayakan.
- ▶ **Baterai dapat rusak akibat benda berujung runcing seperti paku atau obeng atau akibat tekanan yang kuat dari luar.** Hal ini dapat menyebabkan terjadinya hubungan singkat internal dan baterai dapat terbakar, beresap, meledak, atau mengalami panas berlebihan.

32 | Bahasa Indonesia

## Penjelasan tentang produk dan daya



**Bacalah semua petunjuk-petunjuk untuk keselamatan kerja dan petunjuk-petunjuk untuk penggunaan.** Kesalahan dalam menjalankan petunjuk-petunjuk untuk keselamatan kerja dan petunjuk-petunjuk untuk penggunaan dapat mengakibatkan kontak listrik, kebakaran dan/atau luka-luka yang berat.

### Penggunaan alat

Perkakas listrik ini cocok untuk mengampelas kering kayu, bahan sintetis, dempul serta permukaan yang bercat duko.

### Bagian-bagian pada gambar

Nomor-nomor dari bagian-bagian perkakas pada gambar sesuai dengan gambar perkakas listrik pada halaman bergambar.

- 1 Kotak debu lengkap (Microfilter System)
- 2 Jepitan belakang

- 3 Alas ampelas
- 4 Braket penjepit (2x)
- 5 Daun ampelas\*
- 6 Jepitan depan
- 7 Tombol untuk menghidupkan dan mematikan
- 8 Tombol untuk petanda keberisian baterai\*
- 9 Petanda keberisian baterai\*
- 10 Baterai
- 11 Tombol pelepas baterai
- 12 Pegangan (genggaman terisolir)
- 13 Stud untuk peniupan debu
- 14 Elemen saringan (Microfilter System)\*
- 15 Sambungan untuk penghisapan\*
- 16 Slang penghisapan\*
- 17 Alat pelubang\*

\*Aksesori yang ada pada gambar atau yang dijelaskan, tidak termasuk pasokan standar. Semua aksesori yang ada bisa Anda lihat dalam program aksesori Bosch.

### Data teknis

Mesin ampelas orbital		GSS 14,4 V-Li	GSS 18 V-Li
Nomor model		3 601 JDO 1..	3 601 JDO 2..
Tegangan nominal	V=	14,4	18
Kecepatan putaran tanpa beban	min <sup>-1</sup>	11 000	11 000
Banyaknya getaran tanpa beban	min <sup>-1</sup>	22 000	22 000
Permukaan lembar gerinda	cm <sup>2</sup>	114,7	114,7
Diameter gerak lingkaran	mm	1,6	1,6
Ukuran	mm	199,5 x 113 x 141	199,5 x 113 x 141
Berat sesuai dengan EPTA-Procedure 01:2014	kg	1,2/1,4*	1,3/1,5*

\*tergantungan dari baterai yang digunakan

Baterai		GSS 14,4 V-Li	GSS 18 V-Li
Suhu sekitar yang diizinkan			
- saat melakukan pengisian	°C	0 ... +45	0 ... +45
- saat pengoperasian*	°C	-20 ... +50	-20 ... +50
- saat penyimpanan	°C	-20 ... +60	-20 ... +60
Baterai yang disarankan		GBA 14,4V x,xAh M-	GBA 18V x,xAh M-

\* daya dibatasi pada suhu < 0 °C

## Cara memasang

- ▶ **Sebelum memulai pekerjaan pada perkakas listrik (misalnya perawatan, penggantian perkakas, dll) serta selama transpor atau penyimpanan, blokir switch on/off pada posisi OFF.** Dapat terjadi bahaya cedera jika switch dioperasikan secara tidak disengaja.

### Cara mengisi baterai

- ▶ **Gunakanlah hanya alat-alat pencas baterai yang disebutkan pada halaman aksesori.** Hanya alat-alat pencas baterai ini yang dicocokkan pada baterai ion-Li yang diperlukan bagi perkakas listrik Anda.

**Petunjuk:** Baterai dipasang dalam keadaan diisi sebagian.

Untuk menjamin daya penuh dari baterai, sebelum penggunaannya untuk pertama kalinya, isikanlah baterai sampai penuh sama sekali di dalam alat pencas baterai.

Baterai ion-Li bisa diisi sewaktu-waktu, tanpa mengurangi daya tahannya. Baterai tidak menjadi rusak jika pengisiannya dihentikan untuk sementara waktu.

Baterai ion-Li dilindungi terhadap pengosongan sama sekali oleh „Electronic Cell Protection (ECP)“. Jika baterai kosong perkakas listrik dimatikan oleh pengaman: alat kerja berhenti memutar.



► **Lepaskan tekanan pada tombol untuk menghidupkan dan mematikan mesin, jika perkakas listrik mati secara otomatis.** Jika tombol ditekan terus, baterai bisa menjadi rusak.

Untuk melepaskan baterai **10** tekan tombol pelepas **11** dan tarik baterai pada sisi dari perkakas listrik. **Jangan melakukannya dengan paksaan.**

Perhatikanlah petunjuk-petunjuk untuk membuang.

### Mengganti daun ampelas

Sebelum memasang daun ampelas yang baru, bersihkan dahulu alas ampelas **3** dari pencemaran dan debu, misalnya dengan menggunakan kuas.

Supaya penghisapan debu berjalan secara optimal, perhatikanlah supaya lubang-lubang pada daun ampelas cocok pada lubang-lubang pada alas ampelas.

### Daun ampelas tanpa kait-kaitan (lihat gambar-gambar A – C)

- ❶ Lepaskan kedua braket penjepit **4** dari penguncian dan ayunkan ke arah bawah.
- ❷ Arahkan lembar gerinda **5** di bawah pin penjepit belakang **2**. Perhatikan bahwa lembar gerinda **5** tidak terlalu pendek dan terjepit dengan benar. Ayunkan braket penjepit **4** kembali ke posisi keluar dan kuncilah.
- ❸ Letakkan kertas gerinda melekat pada pelat **3**. Jepit bagian depan lembar gerinda di bawah pin penjepit depan **6**. Perhatikan bahwa lembar gerinda **5** tidak terlalu pendek dan terjepit dengan benar. Ayunkan braket penjepit **4** kembali ke posisi keluar dan kuncilah.

Daun ampelas tanpa lubang, misalnya dari gulungan atau pengadaan per meter, bisa dilubangi dengan memakai alat pelubang **17**, supaya menjadi cocok untuk penghisapan debu. Untuk melubangi, tekankan perkakas listrik dengan daun ampelas yang sudah terpasang pada alat pelubang (lihat gambar F).

Untuk melepaskan lembar gerinda **5** lepaskan kedua braket penjepit **4** dan tarik lembar gerinda ke arah luar dari tempatnya.

### Memilih daun ampelas

Untuk mencocoki bahan yang dikerjakan dan keberhasilan yang dikehendaki, tersedia bermacam-macam daun ampelas:

#### Butiran

### red:Wood

40–180

#### Untuk mengerjakan semua macam bahan kayu

Untuk mengampelas secara kasar, misalnya balok-balok dan papan-papan yang kasar dan belum diketam	kasar	40
Untuk mengikis sampai datar dan untuk mengampelas sampai rata	sedang	80, 120
Untuk mengampelas sampai selesai dan mengampelas halus kayu	halus	180

#### Butiran

### white:Paint

40–180

#### Untuk mengerjakan lapisan cat/cat duko atau lapisan dasar seperti dempul cair dan dempul

Untuk mengikis cat lama	kasar	40
Untuk mengampelas cat dasar	sedang	80, 120
Untuk mengampelas halus cat dasar sebelum mencat lapisan terakhir	halus	180

Untuk pekerjaan penyelesaian seperti pemolesan, terutama dari logam dan batu, gunakan kain dari bulu domba/kain pemoles dari bahan bulu binatang.

Sesuai dengan kualitas penyelesaian benda yang dikerjakan, digunakan jenis kain bulu domba atau kain dari bahan bulu binatang yang berbeda-beda.

### Penghisapan debu/serbuk

- Debu dari bahan-bahan seperti misalnya cat yang mengandung timbel (timah hitam), beberapa jenis kayu, bahan mineral dan logam bisa berbahaya bagi kesehatan. Menyentuh atau menghirup debu-debu ini bisa mengakibatkan reaksi alergi dan/atau penyakit saluran pernafasan dari orang yang menggunakan mesin atau orang yang berada di dekatnya. Beberapa debu tertentu seperti misalnya debu kayu pohon quercus atau pohon fagus silvatica dianggap bisa mengakibatkan penyakit kanker, terutama dalam campuran dengan bahan-bahan tambahan untuk pengolahan kayu (kromat, obat pengawet kayu). Bahan-bahan yang mengandung asbestos hanya boleh dikerjakan oleh orang-orang yang ahli.
  - Gunakanlah hanya penghisap debu yang cocok untuk menghisap bahan yang dikerjakan.
  - Perhatikanlah supaya ada pertukaran udara di tempat kerja.
  - Kami anjurkan supaya Anda memakai kedok anti debu dengan saringan (filter) kelas P2.

Taatilah peraturan-peraturan untuk bahan-bahan yang dikerjakan yang berlaku di negara Anda.

- **Hindarkan debu yang banyak terkumpul di tempat kerja.** Debu dapat menyulut dengan mudahnya.

### Penghisapan dalam (sendiri) dengan kotak debu (lihat gambar-gambar D1 – D4)

Pasangkan kotak debu **1** pada stud untuk peniupan debu **13** sampai snap in.

Untuk mengosongkan kotak debu **1**, tariklah kotak debu ke bawah sampai terlepas.

Sebelum membuka kotak debu **1**, ketok-ketokkan kotak debu pada alas yang keras seperti terlihat dalam gambar, supaya debu terlepas dari elemen saringan.

Pegang kotak debu **1** pada lekuk tempat tangan, balikkan elemen saringan **14** ke atas dan kosongkan kotak debu. Bersihkan lempit-lempit dari elemen saringan **14** dengan sikat yang lunak.

## 34 | Bahasa Indonesia

**Penghisapan luar dengan bantuan sarana (lihat gambar E)**

Pasangkan soket pas untuk penghisapan debu **15** pada stud untuk peniupan debu **13**. Perhatikanlah bahwa tuas pengunci-tuas pengunci dari soket pas untuk penghisapan mengancing. Pada soket pas untuk penghisapan **15** bisa disambungkan satu slang penghisapan dengan diameter 19 mm.

Ringkasan tentang koneksi pada penghisap debu yang berbeda-beda dapat Anda temukan di bagian akhir panduan ini.

Untuk melepaskan soket pas untuk penghisapan **15**, tekankan tuas pengunci-tuas pengunci di bagian belakang ke arah tengah dan tarik soket pas untuk penghisapan sampai copot.

Mesin penghisap debu harus cocok untuk menghisap bahan yang dikerjakan.

Gunakanlah mesin penghisap khusus jika debu yang terjadi sangat berbahaya bagi kesehatan, bisa mengakibatkan penyakit kanker atau sangat kering.

**Penggunaan****Cara penggunaan****Memasang baterai**

- ▶ **Gunakanlah hanya baterai ion-Li yang asli dari Bosch dengan tegangan yang tercantum pada label tipe perkakas listrik Anda.** Penggunaan baterai-baterai lainnya bisa menyebabkan terjadinya luka-luka dan bahaya kebakaran.

**Menghidupkan/mematikan**

Untuk **menghidupkan** perkakas listrik, miringkan tombol untuk menghidupkan dan mematikan **7** ke kanan ke posisi „I“.

Untuk **mematikan** perkakas listrik, miringkan tombol untuk menghidupkan dan mematikan **7** ke kiri ke posisi „0“.

**Petanda keberisian baterai (lihat gambar A)**

Ketiga lampu petanda LED hijau dari petanda keberisian baterai **9** menunjukkan keadaan keberisian baterai **10**. Demi keselamatan kerja, keadaan keberisian baterai hanya bisa diperiksa selama perkakas listrik dalam keadaan berhenti.

Tekan tombol **8**, untuk menampilkan petanda keberisian baterai. Hal ini juga bisa dilakukan jika baterai **10** sedang dicopotkan.

LED	Kapasitas
Lampu menetap 3 x hijau	≥ 2/3
Lampu menetap 2 x hijau	≥ 1/3
Lampu menetap 1 x hijau	< 1/3
Lampu berkedip-kedip 1 x hijau	cadangan

Jika setelah tombol **8** ditekan dan tidak ada lampu petanda LED yang menyala, baterai rusak dan harus digantikan.

**Perlindungan terhadap pembebanan yang terlalu berat yang tergantung suhu**

Jika perkakas listrik digunakan sesuai petunjuk-petunjuk, perkakas listrik tidak dibebankan terlalu berat. Jika pembebanan terlalu berat atau jika suhu baterai melebihi 65 °C yang diizinkan, elektronika perkakas listrik akan mematakannya sampai suhu perkakas listrik kembali berada di bidang suhu yang optimal.

**Petunjuk-petunjuk untuk pemakaian**

- ▶ **Sebelum meletakkan perkakas listrik, tunggulah sampai perkakas listrik berhenti sama sekali.**

Keberhasilan selama mengampelas terutama ditentukan oleh macam daun ampelas yang digunakan.

Hanya daun ampelas yang mulus menghasilkan pekerjaan yang bagus dan membuat perkakas listrik tahan lebih lama.

Perhatikanlah supaya daya tekan selalu sama, dengan demikian daun ampelas tahan lebih lama.

Daya tekan yang terlalu tinggi tidak mengakibatkan hasil pengampelasan yang lebih bagus, melainkan menyebabkan perkakas listrik dan daun ampelas lebih cepat usang.

Daun ampelas yang telah digunakan untuk mengerjakan logam tidak boleh digunakan untuk mengerjakan bahan-bahan lainnya.

Gunakanlah aksesoris untuk mengampelas yang asli dari Bosch saja.

**Petunjuk-petunjuk untuk penanganan baterai yang optimal**

Lindungilah baterai terhadap kelembaban dan air.

Simpankanlah baterai hanya pada tingkatan suhu antara 0 °C dan 50 °C. Janganlah membiarkan baterai di dalam mobil, misalnya selama musim panas.

Bersihkanlah lubang-lubang ventilasi dari baterai dengan kuas yang lunak, bersih dan kering secara berkala.

Jika setelah diisi waktu pemakaian baterai semakin pendek, ini petanda bahwa baterai sudah aus dan harus diganti.

Perhatikanlah petunjuk-petunjuk untuk membuang.

**Rawatan dan servis****Rawatan dan kebersihan**

- ▶ **Sebelum memulai pekerjaan pada perkakas listrik (misalnya perawatan, penggantian perkakas, dll) serta selama transpor atau penyimpanan, blokir switch on/off pada posisi OFF.** Dapat terjadi bahaya cedera jika switch dioperasikan secara tidak disengaja.

- ▶ **Perkakas listrik dan lubang ventilasi harus selalu dibersihkan supaya perkakas bisa digunakan dengan baik dan aman.**

Jika baterai tidak berfungsi lagi, hubungi satu Service Center untuk perkakas listrik Bosch yang resmi.

## Layanan pasca beli dan konseling terkait pengoperasian

Layanan pasca beli Bosch menjawab semua pertanyaan Anda terkait reparasi dan maintenance serta suku cadang produk ini. Gambar tiga dimensi dan informasi terkait suku cadang dapat Anda lihat di:

**www.bosch-pt.com**

Tim konseling pengoperasian dari Bosch dengan senang hati membantu Anda, jika Anda hendak bertanya tentang produk-produk kami dan aksesorisnya.

Jika Anda hendak menanyakan sesuatu atau memesan suku cadang, sebutkan selalu nomor model yang terdiri dari 10 angka dan tercantum pada label tipe pekasas.

### Indonesia

PT. Multi Mayaka  
Kawasan Industri Pulogadung  
Jalan Rawa Gelam III No. 2  
Jakarta 13930  
Indonesia  
Tel.: (021) 46832522  
Fax: (021) 46828645/6823  
E-Mail: sales@multimayaka.co.id  
www.bosch-pt.co.id

### Transpor

Pada baterai-baterai ion-Li yang digunakan diterapkan persyaratan terkait peraturan-peraturan tentang bahan-bahan yang berbahaya. Baterai-baterai dapat diangkat oleh penggunanya di jalanan tanpa harus memenuhi syarat-syarat tertentu.

Pada pengiriman oleh pihak ketiga (misalnya transportasi dengan pesawat udara atau perusahaan ekspedisi) harus ditaati syarat-syarat terkait kemasan dan pemberian tanda. Dalam hal ini, untuk mempersiapkan transportasi harus diminta dukungan seorang ahli bahan-bahan berbahaya.

Kirimkan baterai hanya jika rumahnya tidak rusak. Kontak-kontak yang terbuka harus ditutupi dengan pita perekat dan kemasan baterai sedemikian, sehingga baterai tidak bergerak-gerak di dalam kemasan.

Taatilah peraturan-peraturan nasional lainnya yang mungkin lebih rinci yang berlaku di negara Anda.

### Cara membuang



Semua perkakas listrik, baterai, aksesoris dan kemasan sebaiknya didaur ulangkan sesuai dengan upaya untuk melindungi lingkungan hidup.

Janganlah membuang perkakas listrik, baterai isi ulang/baterai ke dalam sampah rumah tangga!

### Baterai isi ulang/Baterai:



#### Ion-Li:

Perhatikanlah petunjuk-petunjuk dalam bab „Transpor“, halaman 35.

Perubahan dapat terjadi tanpa pemberitahuan sebelumnya.

## Tiếng Việt

### Các Nguyên Tắc An Toàn

#### Cảnh báo tổng quát cách sử dụng an toàn dụng cụ điện cầm tay

**⚠ CẢNH BÁO** Đọc kỹ mọi cảnh báo an toàn và hướng dẫn. Không tuân thủ mọi cảnh báo và hướng dẫn được liệt kê dưới đây có thể bị điện giật, gây cháy và/hay bị thương tật nghiêm trọng.

#### Hãy giữ tất cả tài liệu về cảnh báo và hướng dẫn để tham khảo về sau.

Thuật ngữ “dụng cụ điện cầm tay” trong phần cảnh báo là đề cập đến sự sử dụng dụng cụ điện cầm tay của bạn, loại sử dụng điện nguồn (có dây cắm điện) hay vận hành bằng pin (không dây cắm điện).

#### Khu vực làm việc an toàn

- ▶ **Giữ nơi làm việc sạch và đủ ánh sáng.** Nơi làm việc bừa bộn và tối tăm dễ gây ra tai nạn.
- ▶ **Không vận hành dụng cụ điện cầm tay trong môi trường dễ gây nổ, chẳng hạn như nơi có chất lỏng dễ cháy, khí đốt hay rác.** Dụng cụ điện cầm tay tạo ra các tia lửa nên có thể làm rác bén cháy hay bốc khói.
- ▶ **Không để trẻ em hay người đến xem đứng gần khi vận hành dụng cụ điện cầm tay.** Sự phân tâm có thể gây ra sự mất điều khiển.

#### An toàn về điện

- ▶ **Phích cắm của dụng cụ điện cầm tay phải thích hợp với ổ cắm. Không bao giờ được cài biến lại phích cắm dưới mọi hình thức. Không được sử dụng phích tiếp hợp nối tiếp đất (dây mát).** Phích cắm nguyên bản và ổ cắm đúng loại sẽ làm giảm nguy cơ bị điện giật.
- ▶ **Tránh không để thân thể tiếp xúc với đất hay các vật có bề mặt tiếp đất như đường ống, lò sưởi, hàng rào và tủ lạnh.** Có nhiều nguy cơ bị điện giật hơn nếu cơ thể bạn bị tiếp hay nối đất.
- ▶ **Không được để dụng cụ điện cầm tay ngoài mưa hay ở tình trạng ẩm ướt.** Nước vào máy sẽ làm tăng nguy cơ bị điện giật.
- ▶ **Không được làm dụng dây dẫn điện.** Không bao giờ được nắm dây dẫn để xách, kéo hay rút phích cắm dụng cụ điện cầm tay. Không để dây gần nơi có nhiệt độ cao, dầu nhớt, vật nhọn bén hay bộ phận chuyển động. Làm hỏng hay cuộn rối dây dẫn làm tăng nguy cơ bị điện giật.
- ▶ **Khi sử dụng dụng cụ điện cầm tay ngoài trời, dùng dây nối thích hợp cho việc sử dụng ngoài trời.** Sử dụng dây nối thích hợp cho việc sử dụng ngoài trời làm giảm nguy cơ bị điện giật.

## 36 | Tiếng Việt

- ▶ **Nếu việc sử dụng dụng cụ điện cầm tay ở nơi ẩm ướt là không thể tránh được, dùng thiết bị ngắt mạch tự động (RCD) bảo vệ nguồn.** Sử dụng thiết bị ngắt mạch tự động RCD làm giảm nguy cơ bị điện giật.

**An toàn cá nhân**

- ▶ **Hãy tỉnh táo, biết rõ mình đang làm gì và hãy sử dụng ý thức khi vận hành dụng cụ điện cầm tay.** Không sử dụng dụng cụ điện cầm tay khi đang mệt mỏi hay đang bị tác động do chất gây nghiện, rượu hay được phẩm gây ra. Một thoáng mất tập trung khi đang vận hành dụng cụ điện cầm tay có thể gây thương tích nghiêm trọng cho bản thân.
- ▶ **Sử dụng trang bị bảo hộ cá nhân.** Luôn luôn đeo kính bảo vệ mắt. Trang bị bảo hộ như khẩu trang, giày chống trượt, nón bảo hộ, hay dụng cụ bảo vệ tai khi được sử dụng đúng nơi đúng chỗ sẽ làm giảm nguy cơ thương tật cho bản thân.
- ▶ **Phòng tránh máy khởi động bất ngờ.** Bảo đảm công tắc máy ở vị trí tắt trước khi cắm vào nguồn điện và/hay lắp pin vào, khi nhắc máy lên hay khi mang xách máy. Ngáng ngón tay vào công tắc máy để xách hay kích hoạt dụng cụ điện cầm tay khi công tắc ở vị trí mở dễ dẫn đến tai nạn.
- ▶ **Lấy mọi chìa hay khóa điều chỉnh ra trước khi mở điện dụng cụ điện cầm tay.** Khóa hay chìa còn gắn dính vào bộ phận quay của dụng cụ điện cầm tay có thể gây thương tích cho bản thân.
- ▶ **Không rướn người.** Luôn luôn giữ tư thế đứng thích hợp và thẳng bằng. Điều này tạo cho việc điều khiển dụng cụ điện cầm tay tốt hơn trong mọi tình huống bất ngờ.
- ▶ **Trang phục thích hợp.** Không mặc quần áo rộng lủng thụng hay mang trang sức. Giữ tóc, quần áo và găng tay xa khỏi các bộ phận chuyển động. Quần áo rộng lủng thụng, đồ trang sức hay tóc dài có thể bị cuốn vào các bộ phận chuyển động.
- ▶ **Nếu có các thiết bị đi kèm để nối máy hút bụi và các phụ kiện khác, bảo đảm các thiết bị này được nối và sử dụng tốt.** Việc sử dụng các thiết bị gom hút bụi có thể làm giảm các độc hại liên quan đến bụi gây ra.

**Sử dụng và bảo dưỡng dụng cụ điện cầm tay**

- ▶ **Không được ép máy.** Sử dụng dụng cụ điện cầm tay đúng loại theo đúng ứng dụng của bạn. Dụng cụ điện cầm tay đúng chức năng sẽ làm việc tốt và an toàn hơn theo đúng tiến độ mà máy được thiết kế.
- ▶ **Không sử dụng dụng cụ điện cầm tay nếu như công tắc không tắt và mở được.** Bất kỳ dụng cụ điện cầm tay nào mà không thể điều khiển được bằng công tắc là nguy hiểm và phải được sửa chữa.

- ▶ **Rút phích cắm ra khỏi nguồn điện và/hay pin ra khỏi dụng cụ điện cầm tay trước khi tiến hành bất kỳ điều chỉnh nào, thay phụ kiện, hay cất dụng cụ điện cầm tay.** Các biện pháp ngăn ngừa như vậy làm giảm nguy cơ dụng cụ điện cầm tay khởi động bất ngờ.
- ▶ **Cất giữ dụng cụ điện cầm tay không dùng tới nơi trẻ em không lấy được và không cho người chưa từng biết dụng cụ điện cầm tay hay các hướng dẫn này sử dụng dụng cụ điện cầm tay.** Dụng cụ điện cầm tay nguy hiểm khi ở trong tay người chưa được chỉ cách sử dụng.
- ▶ **Bảo quản dụng cụ điện cầm tay.** Kiểm tra xem các bộ phận chuyển động có bị sai lệch hay kẹt, các bộ phận bị rạn nứt và các tình trạng khác có thể ảnh hưởng đến sự vận hành của máy. Nếu bị hư hỏng, phải sửa chữa máy trước khi sử dụng. Nhiều tai nạn xảy ra do bảo quản dụng cụ điện cầm tay tồi.
- ▶ **Giữ các dụng cụ cất bên và sạch.** Bảo quản đúng cách các dụng cụ cất có cạnh cất bên làm giảm khả năng bị kẹt và dễ điều khiển hơn.
- ▶ **Sử dụng dụng cụ điện cầm tay, phụ kiện, đầu cài v. v., đúng theo các chỉ dẫn này, hãy lưu ý đến điều kiện làm việc và công việc phải thực hiện.** Sử dụng dụng cụ điện cầm tay khác với mục đích thiết kế có thể tạo nên tình huống nguy hiểm.

**Sử dụng và bảo quản dụng cụ dùng pin**


- ▶ **Chỉ được sạc pin lại với bộ nạp điện do nhà sản xuất chỉ định.** Bộ nạp điện thích hợp cho một loại pin có thể gây nguy cơ cháy khi sử dụng cho một loại pin khác.
- ▶ **Chỉ sử dụng dụng cụ điện cầm tay với loại pin được thiết kế đặt biệt dành riêng cho máy.** Sử dụng bất cứ loại pin khác có thể dẫn đến thương tật hay cháy.
- ▶ **Khi không sử dụng pin, để cách xa các vật bằng kim loại như kẹp giấy, tiền xu, chìa khóa, đinh, ốc vít hay các đồ vật kim loại nhỏ khác, thứ có thể tạo sự nối tiếp từ một đầu cực với một đầu cực khác.** Sự chập mạch của các đầu cực với nhau có thể gây bỏng hay cháy.
- ▶ **Bảo quản ở tình trạng tối, dung dịch từ pin có thể tứa ra; tránh tiếp xúc.** Nếu vô tình chạm phải, hãy xối nước để rửa. Nếu dung dịch vào mắt, cần thêm sự hỗ trợ của y tế. Dung dịch tiết ra từ pin có thể gây ngứa hay bỏng.

**Bảo dưỡng**

- ▶ **Đưa dụng cụ điện cầm tay của bạn đến thợ chuyên môn để bảo dưỡng, chỉ sử dụng phụ tùng đúng chủng loại để thay.** Điều này sẽ đảm bảo sự an toàn của máy được giữ nguyên.

## Cảnh báo an toàn cho máy chà nhám

- ▶ **Chỉ được sử dụng máy để chà khô.** Sự để nước thấm vào trong máy làm tăng nguy cơ bị điện giật.
- ▶ **Lưu ý, nguy cơ cháy!** Tránh không để vật được chà nhám cũng như máy chà nhám quá nóng. Luôn luôn làm trống sạch bộ phận chứa bụi trước khi dừng nghỉ. Trong tình trạng không thuận lợi, vd. khi tia lửa bắn ra trong lúc chà kim loại, dăm mảnh vụn trong túi chứa bụi, trong bộ lọc siêu nhỏ hay túi giấy (hay trong túi lọc hay bộ lọc trong máy hút bụi) có thể tự cháy. Đặc biệt khi trộn lẫn với phân vet-ni còn sót lại, dầu bóng hay các nguyên liệu hóa chất khác hay các mảnh chà bị hun nóng sau một thời gian làm việc dài.
- ▶ **Kẹp chặt vật gia công.** Vật gia công được kẹp bằng một thiết bị kẹp hay bằng êtô thì vững chắc hơn giữ bằng tay.
- ▶ **Giữ nơi làm việc của bạn gọn gàng.** Vật liệu có cấu tạo hỗn hợp là đặc biệt nguy hiểm. Bụi từ hợp kim nhẹ có thể cháy hay nổ.
- ▶ **Không được tháo pin ra.** Nguy cơ bị chập mạch.
 



**Bảo vệ pin không để bị làm nóng, ví dụ, chống để lâu dài dưới ánh nắng gay gắt, lửa, nước, và sự ẩm ướt.** Sự nguy hiểm của nổ.
- ▶ **Trong trường hợp pin bị hỏng hay sử dụng sai cách, hơi nước có thể bốc ra. Hãy làm cho thông thoáng khí và trong trường hợp bị đau phải nhờ y tế chữa trị.** Hơi nước có thể gây ngứa hệ hô hấp.
- ▶ **Chỉ sử dụng pin cùng với sản phẩm Bosch của bạn.** Chỉ riêng biện pháp này bảo vệ cho pin chống lại sự nguy hiểm do quá tải.
- ▶ **Pin có thể bị hư hại bởi các vật dụng nhọn như đinh hay tuốc-nơ-vít hoặc bởi các tác động lực từ bên ngoài.** Nó có thể dẫn tới đoản mạch nội bộ và làm pin bị cháy, bốc khói, phát nổ hoặc quá nóng.

## Mô Tả Sản Phẩm và Đặc Tính Kỹ Thuật



**Đọc kỹ mọi cảnh báo an toàn và mọi hướng dẫn.** Không tuân thủ mọi cảnh báo và hướng dẫn được liệt kê dưới đây có thể bị điện giật, gây cháy và/hay bị thương tật nghiêm trọng.

### Dành sử dụng cho

Máy được thiết kế để chà khô gỗ, nhựa, chất trám và các bề mặt có sơn phủ.

### Biểu trưng của sản phẩm

Sự đánh số các biểu trưng của sản phẩm là để tham khảo hình minh họa của máy trên trang hình ảnh.

- 1 Hộp chứa bụi, nguyên bộ (Microfilter System)
- 2 Gọng kẹp sau
- 3 Đế chà
- 4 Giá kẹp (2x)
- 5 Giấy nhám\*
- 6 Gọng kẹp trước
- 7 Công tắc Tắt/Mở
- 8 Nút dành cho đèn báo sự kiểm soát dòng điện nạp\*
- 9 Đèn báo sự kiểm soát dòng điện nạp\*
- 10 Pin
- 11 Nút tháo pin
- 12 Tay nắm (bề mặt nắm cách điện)
- 13 Lỗ thoát
- 14 Bộ phận lọc (Microfilter System)\*
- 15 Bộ phận hút tiếp hợp\*
- 16 Vòi ống máy hút\*
- 17 Dụng cụ đục lỗ\*

\*Phụ tùng được trình bày hay mô tả không phải là một phần của tiêu chuẩn hàng hóa được giao kèm theo sản phẩm. Bạn có thể tham khảo tổng thể các loại phụ tùng, phụ kiện trong chương trình phụ tùng của chúng tôi.

## Thông số kỹ thuật

Máy chà nhám xoay		GSS 14,4 V-LI	GSS 18 V-LI
Mã số máy		3 601 JD0 1..	3 601 JD0 2..
Điện thế danh định	V=	14,4	18
Tốc độ không tải	v/p	11000	11000
Tần suất vòng xoay	v/p	22000	22000
Diện tích phiến mài	cm <sup>2</sup>	114,7	114,7
Đường kính vòng xoay	mm	1,6	1,6
Các kích thước	mm	199,5 x 113 x 141	199,5 x 113 x 141
Trọng lượng theo Qui trình EPTA-Procedure 01:2014 (chuẩn EPTA 01:2014)	kg	1,2/1,4*	1,3/1,5*

\*tùy vào loại pin lắp đang sử dụng

**38 | Tiếng Việt**

Pin hợp khối		GSS 14,4 V-Li	GSS 18 V-Li
Nhiệt độ môi trường cho phép			
- trong quá trình sạc điện	°C	0...+45	0...+45
- trong quá trình vận hành*	°C	-20...+50	-20...+50
- trong quá trình lưu trữ	°C	-20...+60	-20...+60
Pin được khuyến dùng		GBA 14,4V x,xAh M-	GBA 18V x,xAh M-
* hiệu suất giới hạn ở nhiệt độ <0 °C			

**Sự lắp vào**

▶ **Bạn hãy dừng tất cả các công việc với dụng cụ điện cầm tay, (ví dụ như bảo trì, thay dụng cụ, v. v) cũng như thiết bị bật tắt khi vận chuyển và bảo quản tại vị trí ngắt.** Nếu không chú ý khi vận hành thiết bị bật tắt, bạn sẽ có nguy cơ bị thương.

**Nạp điện pin**

▶ **Chỉ nên sử dụng các bộ nạp điện pin được liệt kê trong trang phụ kiện.** Chỉ có các bộ nạp điện pin này mới thích hợp với pin lithium ion dùng cho dụng cụ điện cầm tay của bạn.

**Ghi Chú:** Pin giao kèm máy chỉ được nạp điện một phần. Để đảm bảo pin có đầy đủ điện dung, nạp điện hoàn toàn cho pin bằng bộ nạp điện pin trước khi bạn sử dụng dụng cụ điện cho lần đầu tiên.

Pin Lithium ion có thể nạp điện bất cứ lúc nào mà vẫn không làm giảm tuổi thọ của pin. Sự làm gián đoạn qui trình nạp điện không làm cho pin bị hư hỏng.

Pin Li-on được bảo vệ ngăn sự phóng điện quá lớn nhờ vào "Bộ phận Điện tử Bảo vệ Pin (Electronic Cell Protection = ECP)". Khi pin hết điện, máy tự tắt nhờ vào thiết bị bảo vệ mạch: Dụng cụ đang lắp trong máy dừng quay hẳn.

▶ **Không được tiếp tục nhấn vào công tắc Tắt/Mở sau khi máy đã tự động tắt.** Có thể làm cho pin hỏng.

Để tháo pin **10** bạn hãy ấn nút mở **11** và đẩy pin sang một bên ra khỏi dụng cụ điện cầm tay. **Không dùng sức.**

Tuân thủ các chú thích dành cho việc thái bỏ.

**Thay Giấy Nhám**

Khi lắp giấy nhám mới vào, làm thật sạch để chà **3** cho hết bụi hay hạt gỗ (vd. bằng chổi cọ).

Để đảm bảo sự hút bụi được tốt nhất, hãy lưu ý đến các lỗ đục trên giấy nhám có nằm trùng lên các lỗ của đĩa chà hay không.

**Giấy Nhám không sử dụng Khóa Dán (xem hình A - C)**

● Bạn hãy nới lỏng cả hai giá kẹp **4** ra khỏi chốt khóa và xoay chúng xuống phía dưới.

- Bạn hãy dẫn phiến mài **5** bên dưới bảng đầu dây phía sau **2** vào. Bạn hãy chú ý rằng, phiến mài **5** không quá ngắn và phải được kẹp chặt một cách chính xác. Hãy xoay giá kẹp **4** trở về vị trí ban đầu và khóa nó tại đó.
- Đặt giấy nhám sao cho thật căng quanh phiến mài **3**. Bạn hãy kẹp chặt phần trước của phiến mài bên dưới bảng đầu dây **6** phía trước. Bạn hãy chú ý rằng, phiến mài **5** không quá ngắn và phải được kẹp chặt một cách chính xác. Hãy xoay giá kẹp **4** trở về vị trí ban đầu và khóa nó tại đó.

Giấy nhám không lỗ v. d., lấy từ cuộn hay theo thước, có thể đục lỗ được bằng dụng cụ đục lỗ **17**. Để thực hiện, đập máy có lắp sẵn giấy nhám vào trên dụng cụ đục lỗ (xem hình F).

Để tháo phiến mài **5** bạn hãy nới lỏng cả hai giá kẹp **4** và lấy lưỡi mài ra khỏi giá đỡ.

**Chọn Loại Giấy Nhám**

Tùy theo loại vật liệu gia công và tốc độ để chà bong tróc vật liệu theo yêu cầu, trên thị trường hiện có các chủng loại giấy nhám như vậy:

	Kích cỡ hạt	
<b>red:Wood</b>		<b>40-180</b>
<b>Để gia công mọi loại nguyên vật liệu bằng gỗ</b>		
Để chà thô, vd. xà rầm bào	thô	40
sơ, sẵn nhám và ván tấm		
Chà bề mặt và tẩy xóa các khuyết tật nhỏ	trung bình	80, 120
Để chà hoàn thiện và chà bóng gỗ	mịn	180
<b>white:Paint</b>		<b>40-180</b>
<b>Để thao tác với sơn/lớp men hay sơn lót và chất trám</b>		
Chà cho bong tróc sơn	thô	40
Chà sơn lót	trung bình	80, 120
Chà hoàn thiện sơn lót trước khi sơn phủ	mịn	180

Đề gia công lại hoặc đánh bóng, đặc biệt là đối với kim loại và đá, bạn hãy sử dụng lông cừu/ vải dạ để đánh bóng.

Tùy theo độ bóng bề mặt mà bạn mong muốn của dụng cụ gia công, phải sử dụng các loại lông cừu hoặc vải dạ khác nhau.

### Hút Dăm/Bụi

▶ Mat bụi từ các vật liệu được sơn phủ ngoài có chứa chì trên một số loại gỗ, khoáng vật và kim loại có thể gây nguy hại đến sức khoẻ con người. Dụng cụ chạm hay hít thở các bụi này có thể làm người sử dụng hay đứng gần bị dị ứng và/hoặc gây nhiễm trùng hệ hô hấp.

Một số mat bụi cụ thể, ví dụ như bụi gỗ sồi hay đậu, được xem là chất gây ung thư, đặc biệt là có liên quan đến các chất phụ gia dùng xử lý gỗ (chất cromat, chất bảo quản gỗ). Có thể chỉ nên để thợ chuyên môn gia công các loại vật liệu có chứa amiăng.

- Cách xa ở mức có thể được, sử dụng hệ thống hút thích hợp cho loại vật liệu.
- Tạo không khí thông thoáng nơi làm việc.
- Khuyến nghị nên mang mặt nạ phòng độc có bộ lọc cấp P2.

Tuân thủ các qui định của quốc gia bạn liên quan đến loại vật liệu gia công.

▶ **Tránh không để rác tích tụ tại nơi làm việc.** Rác có thể dễ dàng bắt lửa.

### Hộp Khối Bộ Phận Hút Bụi Với Hộp Chứa Bụi (xem hình D1 – D4)

Lắp hộp chứa bụi **1** lên trên lỗ thoát **13** cho đến khi vào khớp.

Để làm sạch hộp chứa bụi **1**, kéo hộp chứa bụi xuống dưới.

Trước khi mở hộp chứa bụi **1** ra, để nghị nên rũ bụi ra khỏi bộ phận lọc bằng cách động nhẹ vào một chỗ cứng chắc (như hình minh họa).

Nắm hộp chứa bụi **1** tại chỗ nắm lõm, gấp bộ phận lọc bụi **14** lên trên và làm sạch hộp chứa bụi. Làm sạch các lá lọc mỏng của bộ phận lọc **14** bằng một bàn chải mềm.

### Máy Hút Bụi Ngoài (xem hình E)

Lắp bộ phận hút ghép nối **15** lên trên lỗ thoát **13**. Bảo đảm ngàm khóa của bộ phận hút ghép nối vào khớp. Bộ phận hút ghép nối **15** vừa khớp với vòi ống hút có đường kính 19 mm.

Ở phần cuối của tài liệu hướng dẫn này bạn sẽ tìm thấy phần tổng quan về việc kết nối ở các máy hút bụi khác nhau.

Để tháo bộ phận hút ghép nối **15**, nhấn đàng sau ngàm khóa và đồng thời kéo bộ phận hút ghép nối ra.

Máy hút bụi phải thích hợp dành cho loại vật liệu đang gia công.

Khi hút bụi khô loại đặc biệt gây nguy hại đến sức khỏe hoặc gây ra ung thư, hãy sử dụng máy hút bụi loại chuyên dụng.

## Vận Hành

### Bắt Đầu Vận Hành

#### Lắp Pin Vào

▶ **Chỉ sử dụng pin Li-on của chính hãng Bosch với điện thế được ghi trên nhãn máy của dụng cụ điện cầm tay của bạn.** Sử dụng các loại pin khác có thể dẫn đến thương tật và gây ra cháy.

#### Bật Mở và Tắt

Để khởi động máy, kéo nghiêng công tắc Tắt/Mở **7** qua bên phải vào vị trí "I".

Để tắt máy, kéo nghiêng công tắc Tắt/Mở **7** qua bên trái vào vị trí "0".

#### Đèn Báo Sự Kiểm Soát Dòng Điện Nạp (xem hình A)

Ba đèn LED màu xanh lá của bộ nạp điện pin báo hiệu sự kiểm soát sự nạp điện pin **9** báo hiệu tình trạng nạp điện của pin **10**. Vì lý do an toàn, ta chỉ có thể kiểm tra trạng thái của tình trạng nạp điện khi máy đã ngừng hoạt động hoàn toàn.

Nhấn nút **8** để hiển thị tình trạng nạp điện. Điều này cũng thực hiện được khi pin **10** đã được tháo ra.

LED	Điện dung
Sáng liên tục 3 x màu xanh lá	≥2/3
Sáng liên tục 2 x màu xanh lá	≥1/3
Sáng liên tục 1 x màu xanh lá	<1/3
Chớp sáng 1 x màu xanh lá	Sự Dự Phòng

Khi không có đèn LED nào sáng lên sau khi nhấn nút **8**, nếu vậy thì pin đã bị hỏng và phải được thay thế.

#### Bảo Vệ Chống Quá Tải Dựa Trên Nhiệt Độ

Khi được sử dụng đúng như mục đích chế tạo, dụng cụ điện không thể bị chịu quá tải. Khi tải trọng quá cao hay nhiệt độ pin cho phép ở 65 °C bị vượt quá, bộ phận kiểm soát điện tử ngắt mạch dụng cụ điện cho đến khi nhiệt độ trở về lại giới hạn tốt nhất.

### Hướng Dẫn Sử Dụng

▶ **Đợi cho đến khi máy hoàn toàn dừng hẳn trước khi đặt xuống.**

Năng suất làm bong tróc trong khi chà nhám chủ yếu được quyết định là từ sự lựa chọn loại giấy nhám.

Chỉ có giấy nhám không bị hư hỏng mới cho năng suất chà nhám tốt và kéo dài tuổi thọ của máy.

## 40 | Tiếng Việt

Hãy lưu ý việc đặt lực áp lên máy để chà phải đồng đều; điều này làm tăng độ bền của giấy nhám.

Tạo lực đè thật mạnh lên máy để chà không làm tăng năng suất chà, nhưng lại làm tăng sự hao mòn của máy và giấy nhám.

Giấy nhám đã được dùng để chà kim loại không nên sử dụng để chà các loại vật liệu khác.

Chỉ nên sử dụng các phụ kiện chà nhám chính hãng Bosch.

### Các Khuyến Nghị về Cách Bảo Dưỡng Tốt Nhất cho Pin

Tránh không để pin ở nơi ẩm ướt hoặc có nước.

Chỉ bảo quản pin trong tầm nhiệt độ nằm giữa 0 °C và 50 °C. Ví dụ, không để pin trong xe ô tô vào mùa hè.

Thỉnh thoảng làm sạch các khe thông gió của pin bằng cách dùng một cái cọ khô, mềm và sạch.

Sự giảm thời gian hoạt động một cách rõ rệt sau khi nạp điện chỉ cho thấy rằng pin đã được sử dụng và phải được thay.

Tuân thủ các chú thích dành cho việc thải bỏ.

## Bảo Dưỡng và Bảo Quản

### Bảo Dưỡng và Làm Sạch

▶ **Bạn hãy dừng tất cả các công việc với dụng cụ điện cầm tay, (ví dụ như bảo trì, thay dụng cụ, v. v.) cũng như thiết bị bật tắt khi vận chuyển và bảo quản tại vị trí ngắt.** Nếu không chú ý khi vận hành thiết bị bật tắt, bạn sẽ có nguy cơ bị thương.

▶ **Để được an toàn và máy hoạt động đúng chức năng, luôn luôn giữ máy và các khe thông gió được sạch.**

Khi pin không còn hoạt động được nữa, xin liên hệ một đại lý phục vụ hàng sau khi bán dụng cụ điện cầm tay do Bosch ủy nhiệm để được hướng dẫn.

### Dịch Vụ Sau Khi Bán và Dịch Vụ Ứng Dụng

Bộ phận phục vụ hàng sau khi bán của chúng tôi sẽ trả lời các câu hỏi liên quan đến việc bảo trì và sửa chữa các sản phẩm cũng như các phụ tùng thay thế của bạn. Hình ảnh chi tiết và thông tin phụ tùng thay thế có thể tìm hiểu theo địa chỉ dưới đây:

**www.bosch-pt.com**

Bộ phận dịch vụ ứng dụng Bosch sẽ hân hạnh trả lời các câu hỏi liên quan đến các sản phẩm của chúng tôi và linh kiện của chúng.

Trong mọi thư từ giao dịch và đơn đặt hàng phụ tùng, xin vui lòng luôn viết đủ 10 con số đã được ghi trên nhãn máy.

### Việt Nam

Công ty Trách Nhiệm Hữu Hạn Robert Bosch Việt Nam, PT/SVN  
Tầng 10, 194 Golden Building  
473 Điện Biên Phủ  
Phường 25, Quận Bình Thạnh  
Thành Phố Hồ Chí Minh  
Việt Nam  
Tel.: (08) 6258 3690 Ext 413  
Fax: (08) 6258 3692  
hieu.lagia@vn.bosch.com  
www.bosch-pt.com


### Vận Chuyển

Pin có chứa lithium-ion là đối tượng phải tuân theo các qui định của Pháp Luật về Hàng Hóa Nguy Hiểm. Người sử dụng có thể vận chuyển pin bằng đường bộ mà không cần có thêm yêu cầu nào khác. Khi được vận chuyển thông qua bên thứ ba (vd. vận chuyển bằng đường hàng không hay đại lý giao nhận), phải tuân theo các yêu cầu đặc biệt về đóng gói và dán nhãn. Để chuẩn bị cho món hàng sẽ được gửi đi, cần tham khảo ý kiến của chuyên gia về vật liệu nguy hiểm.

Chỉ gửi pin đi khi vỏ ngoài không bị hư hỏng. Dán băng keo hay che kín các điểm tiếp xúc để hở và đóng gói pin cách sao cho pin không thể xô dịch khi nằm trong bao bì được.

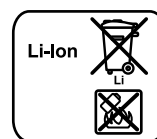
Cũng xin vui lòng tuân theo qui định chi tiết có thể có của mỗi quốc gia.

### Thải bỏ

 Máy, pin nạp điện lại được, phụ kiện và bao bì phải được phân loại để tái chế theo hướng thân thiện với môi trường.

Không được vứt bỏ dụng cụ điện, pin/pin nạp điện lại được vào chung với rác sinh hoạt!

### Pin lốc/pin:

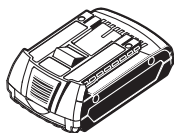
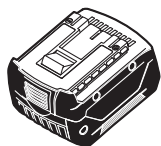


### Li-ion:

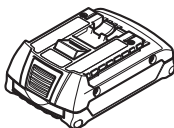
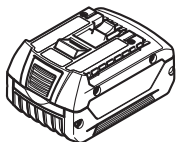
Xin vui lòng tuân thủ theo thông tin dưới đây "Vận Chuyển", trang 40.

**Được quyền thay đổi nội dung mà không phải thông báo trước.**

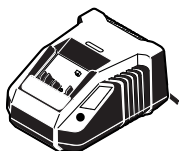




**GBA 14,4 V x,xAh M-**



**GBA 18 V x,xAh M-**



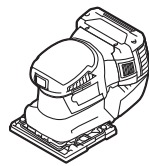
**AL 1820 CV  
(14,4 / 18 V)**

2 607 225 440 (CN)  
2 607 225 432 (TW)  
2 607 225 436 (KR)  
2 607 225 426 (MY, SG, HK)  
2 607 225 424 (IN, TH, PH, VN (Far East))  
2 607 225 428 (AU, NZ)

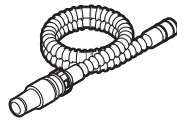


**AL 1860 CV  
(14,4 / 18 V)**

2 607 225 337 (CN)  
2 607 225 329 (TW)  
2 607 225 333 (KR)  
2 607 225 323 (MY, SG, HK)  
2 607 225 321 (IN, TH, PH, VN (Far East))  
2 607 225 325 (AU, NZ)



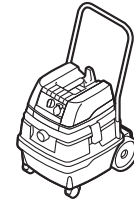
1 600 499 005



Ø 19 mm  
2 600 793 009 (3 m)  
1 610 793 002 (5 m)



1 609 200 933



GAS 25 L FSC  
GAS 50  
GAS 50 M