

Robert Bosch Power Tools GmbH  
70538 Stuttgart  
GERMANY

[www.bosch-pt.com](http://www.bosch-pt.com)

1 609 92A 4JA (2018.07) T / 42



1 609 92A 4JA

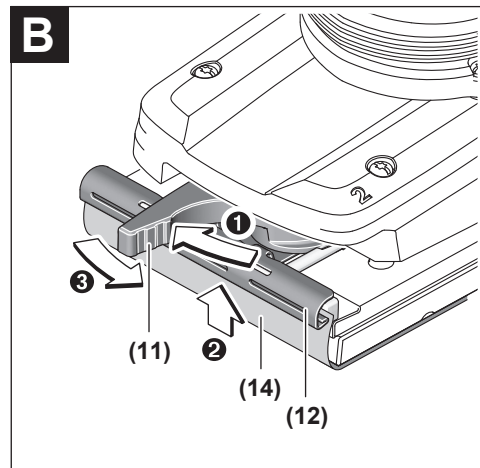
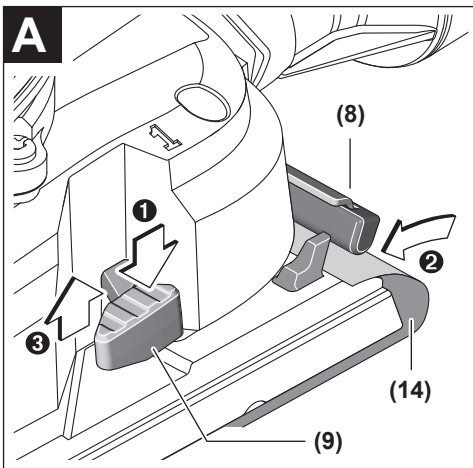
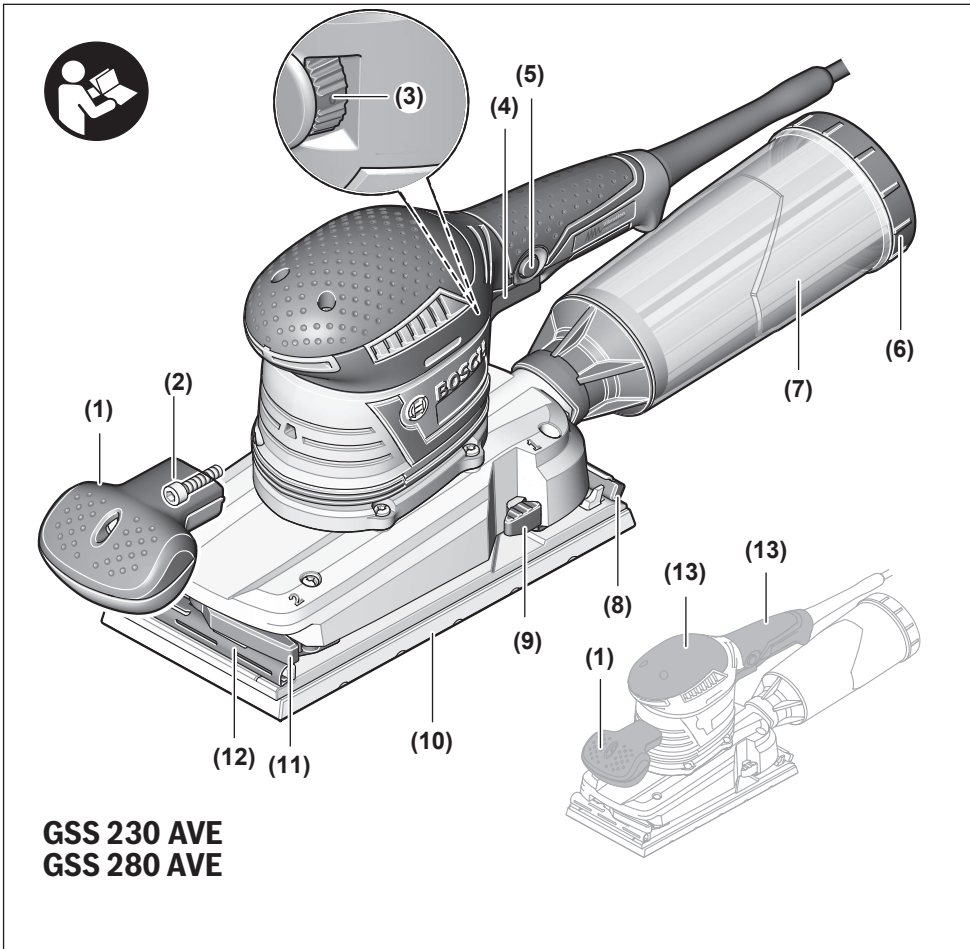
# GSS Professional

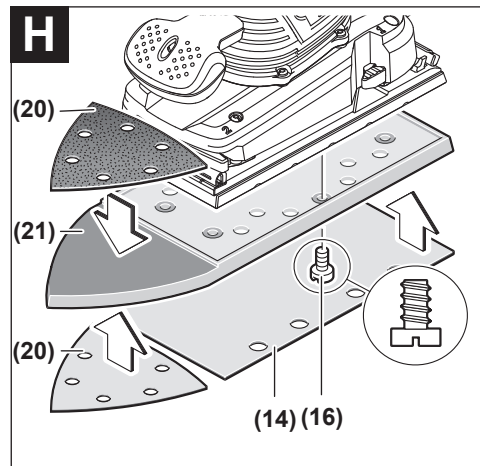
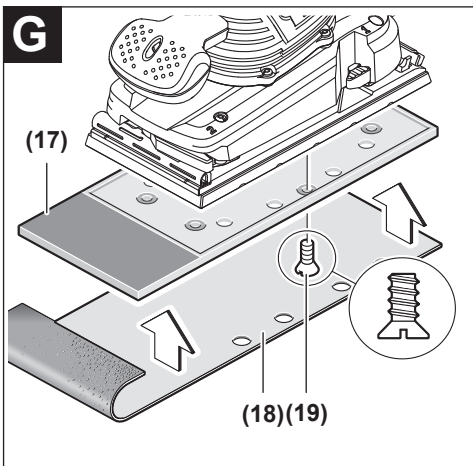
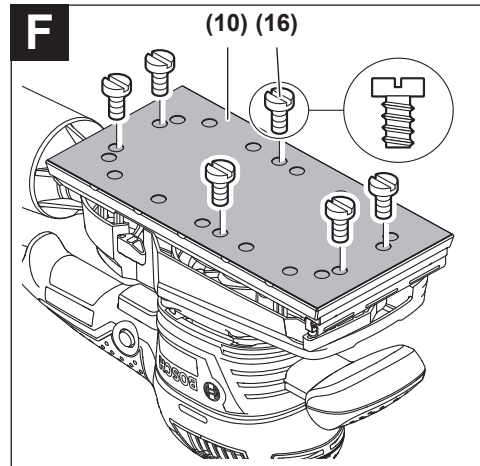
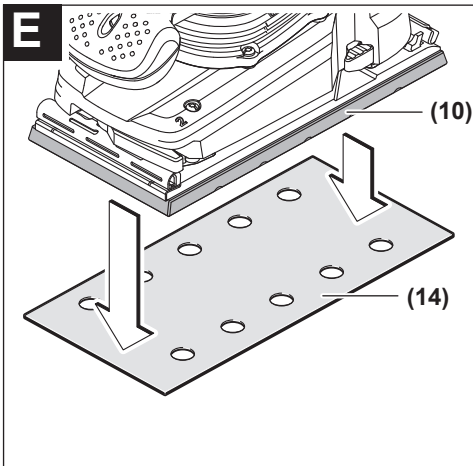
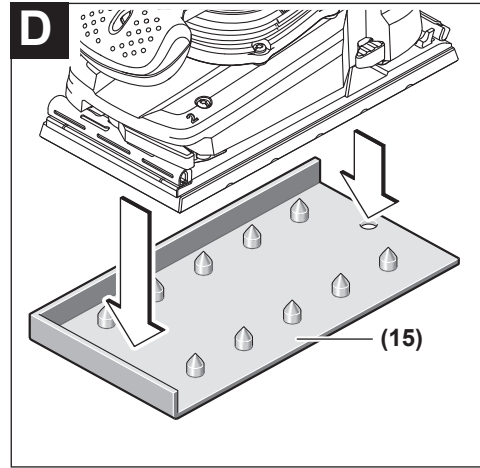
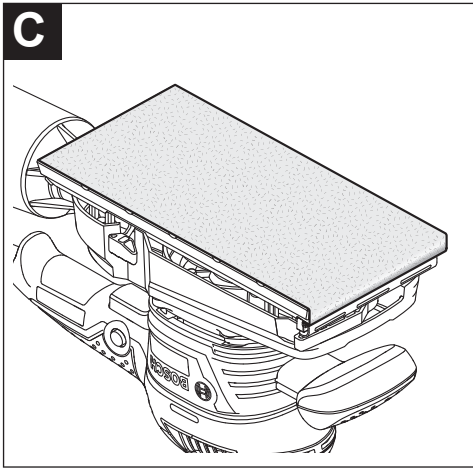
230 AVE | 280 AVE

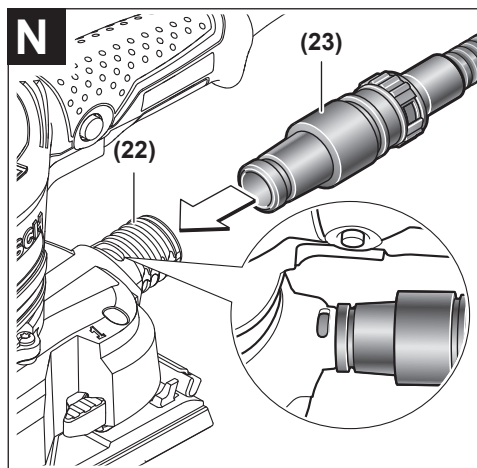
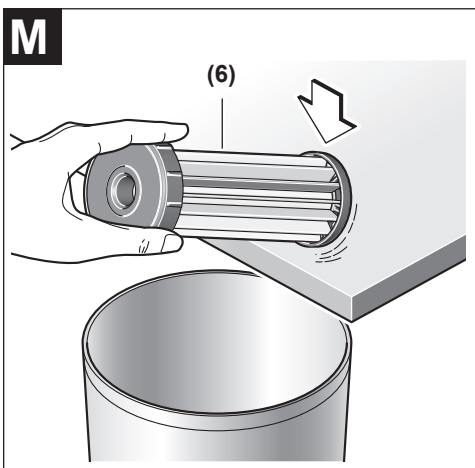
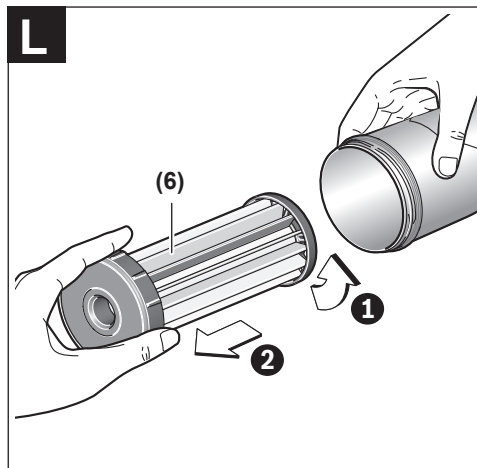
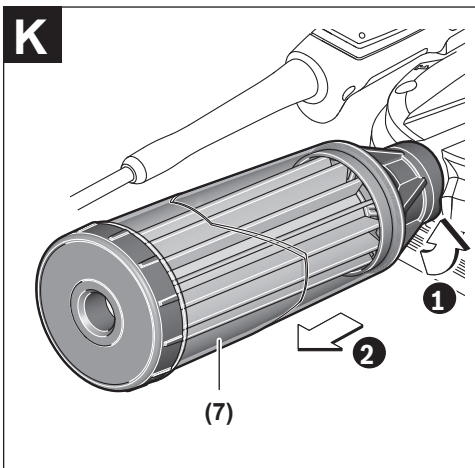
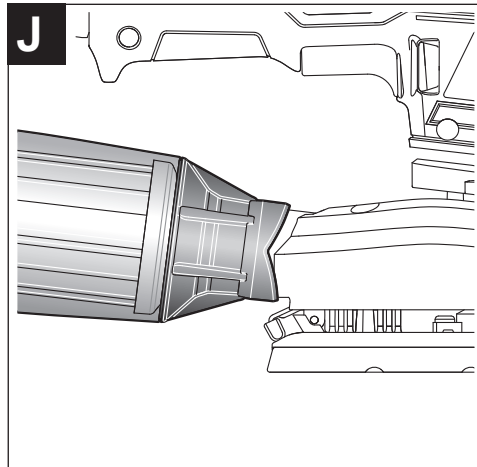
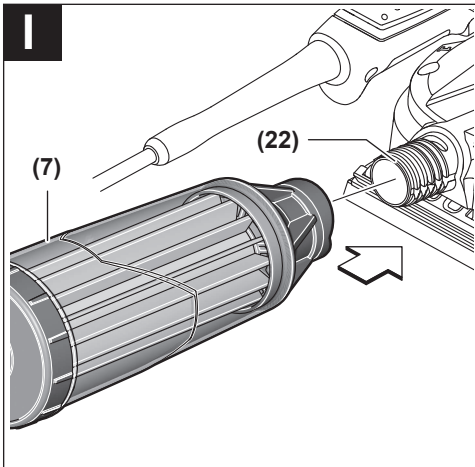


- en Original instructions
- zh 正本使用说明书
- zh 原始使用說明書
- ko 사용 설명서 원본
- th หนังสือคู่มือการใช้งานฉบับ ต้นแบบ
- id Petunjuk-Petunjuk untuk Penggunaan Orisinal
- vi Bản gốc hướng dẫn sử dụng

|                        |         |    |
|------------------------|---------|----|
| English .....          | Page    | 6  |
| 中文 .....               | 页       | 13 |
| 繁體中文 .....             | 頁       | 17 |
| 한국어 .....              | 페이지     | 20 |
| ไทย .....              | หน้า    | 25 |
| Bahasa Indonesia ..... | Halaman | 30 |
| Tiếng Việt .....       | Trang   | 35 |







## English

### Safety instructions

#### General Power Tool Safety Warnings

**⚠ WARNING** Read all safety warnings, instructions, illustrations and specifications provided with this power tool. Failure to follow all instructions listed below may result in electric shock, fire and/or serious injury.

**Save all warnings and instructions for future reference.**

The term "power tool" in the warnings refers to your mains-operated (corded) power tool or battery-operated (cordless) power tool.

#### Work area safety

- ▶ **Keep work area clean and well lit.** Cluttered or dark areas invite accidents.
- ▶ **Do not operate power tools in explosive atmospheres, such as in the presence of flammable liquids, gases or dust.** Power tools create sparks which may ignite the dust or fumes.
- ▶ **Keep children and bystanders away while operating a power tool.** Distractions can cause you to lose control.

#### Electrical safety

- ▶ **Power tool plugs must match the outlet. Never modify the plug in any way. Do not use any adapter plugs with earthed (grounded) power tools.** Unmodified plugs and matching outlets will reduce risk of electric shock.
- ▶ **Avoid body contact with earthed or grounded surfaces, such as pipes, radiators, ranges and refrigerators.** There is an increased risk of electric shock if your body is earthed or grounded.
- ▶ **Do not expose power tools to rain or wet conditions.** Water entering a power tool will increase the risk of electric shock.
- ▶ **Do not abuse the cord. Never use the cord for carrying, pulling or unplugging the power tool. Keep cord away from heat, oil, sharp edges or moving parts.** Damaged or entangled cords increase the risk of electric shock.
- ▶ **When operating a power tool outdoors, use an extension cord suitable for outdoor use.** Use of a cord suitable for outdoor use reduces the risk of electric shock.
- ▶ **If operating a power tool in a damp location is unavoidable, use a residual current device (RCD) protected supply.** Use of an RCD reduces the risk of electric shock.

#### Personal safety

- ▶ **Stay alert, watch what you are doing and use common sense when operating a power tool. Do not use a power tool while you are tired or under the influence of drugs, alcohol or medication.** A moment of inatten-

tion while operating power tools may result in serious personal injury.

- ▶ **Use personal protective equipment. Always wear eye protection.** Protective equipment such as a dust mask, non-skid safety shoes, hard hat or hearing protection used for appropriate conditions will reduce personal injuries.
- ▶ **Prevent unintentional starting. Ensure the switch is in the off-position before connecting to power source and/or battery pack, picking up or carrying the tool.** Carrying power tools with your finger on the switch or energising power tools that have the switch on invites accidents.
- ▶ **Remove any adjusting key or wrench before turning the power tool on.** A wrench or a key left attached to a rotating part of the power tool may result in personal injury.
- ▶ **Do not overreach. Keep proper footing and balance at all times.** This enables better control of the power tool in unexpected situations.
- ▶ **Dress properly. Do not wear loose clothing or jewellery. Keep your hair and clothing away from moving parts.** Loose clothes, jewellery or long hair can be caught in moving parts.
- ▶ **If devices are provided for the connection of dust extraction and collection facilities, ensure these are connected and properly used.** Use of dust collection can reduce dust-related hazards.
- ▶ **Do not let familiarity gained from frequent use of tools allow you to become complacent and ignore tool safety principles.** A careless action can cause severe injury within a fraction of a second.

#### Power tool use and care

- ▶ **Do not force the power tool. Use the correct power tool for your application.** The correct power tool will do the job better and safer at the rate for which it was designed.
- ▶ **Do not use the power tool if the switch does not turn it on and off.** Any power tool that cannot be controlled with the switch is dangerous and must be repaired.
- ▶ **Disconnect the plug from the power source and/or remove the battery pack, if detachable, from the power tool before making any adjustments, changing accessories, or storing power tools.** Such preventive safety measures reduce the risk of starting the power tool accidentally.
- ▶ **Store idle power tools out of the reach of children and do not allow persons unfamiliar with the power tool or these instructions to operate the power tool.** Power tools are dangerous in the hands of untrained users.
- ▶ **Maintain power tools and accessories. Check for misalignment or binding of moving parts, breakage of parts and any other condition that may affect the power tool's operation. If damaged, have the power tool repaired before use.** Many accidents are caused by poorly maintained power tools.

- ▶ **Keep cutting tools sharp and clean.** Properly maintained cutting tools with sharp cutting edges are less likely to bind and are easier to control.
- ▶ **Use the power tool, accessories and tool bits etc. in accordance with these instructions, taking into account the working conditions and the work to be performed.** Use of the power tool for operations different from those intended could result in a hazardous situation.
- ▶ **Keep handles and grasping surfaces dry, clean and free from oil and grease.** Slippery handles and grasping surfaces do not allow for safe handling and control of the tool in unexpected situations.

#### Service

- ▶ **Have your power tool serviced by a qualified repair person using only identical replacement parts.** This will ensure that the safety of the power tool is maintained.

#### Safety Warnings for Sander

- ▶ **Hold the power tool firmly with both hands and make sure you have a stable footing.** The power tool can be more securely guided with both hands.
- ▶ **Only use the power tool for dry sanding.** Water entering a power tool will increase the risk of electric shock.
- ▶ **Warning: Danger of fire! Avoid overheating the workpiece and the sander. Always empty the dust collector before taking a break from work.** Sanding dust in the dust bag, microfilter, paper bag (or in the filter bag or vacuum cleaner filter) can spontaneously combust under certain conditions, for example if flying sparks are created when sanding metals. This risk is increased if the sanding dust is mixed with paint or polyurethane residue or with other chemical substances and if the workpiece is hot as a result of prolonged work.
- ▶ **Clean the air vents on your power tool regularly.** The motor's fan will draw the dust inside the housing and excessive accumulation of powdered metal may cause electrical hazards.
- ▶ **Secure the workpiece.** A workpiece clamped with clamping devices or in a vice is held more secure than by hand.
- ▶ **Always wait until the power tool has come to a complete stop before placing it down.**

#### Products sold in GB only:

Your product is fitted with an BS 1363/A approved electric plug with internal fuse (ASTA approved to BS 1362).

If the plug is not suitable for your socket outlets, it should be cut off and an appropriate plug fitted in its place by an authorised customer service agent. The replacement plug should have the same fuse rating as the original plug.

#### Technical data

| Orbital sander                 | GSS 230 AVE   | GSS 280 AVE   |
|--------------------------------|---------------|---------------|
| Article number                 | 3 601 B92 8.. | 3 601 B92 9.. |
| Dust box included with product | ●             | ●             |

The severed plug must be disposed of to avoid a possible shock hazard and should never be inserted into a mains socket elsewhere.

## Product Description and Specifications



#### Read all the safety and general instructions.

Failure to observe the safety and general instructions may result in electric shock, fire and/or serious injury.

Please observe the illustrations at the beginning of this operating manual.

#### Product features

The numbering of the product features refers to the diagram of the power tool on the graphics page.

- (1) Auxiliary handle (insulated gripping surface)<sup>A)</sup>
- (2) Screw for auxiliary handle<sup>A)</sup>
- (3) Orbital stroke rate preselection thumbwheel
- (4) On/off switch
- (5) Lock-on button for on/off switch
- (6) Filter element (Microfilter system)
- (7) Complete dust box (Microfilter system)
- (8) Rear clamping bracket
- (9) Clamping lever
- (10) Sanding plate
- (11) Clamping lever
- (12) Front clamping bracket
- (13) Handle (insulated gripping surface)
- (14) Sanding sheet<sup>A)</sup>
- (15) Punch<sup>A)</sup>
- (16) Screws for sanding plate
- (17) Sanding plate, thin, elongated<sup>A)</sup>
- (18) Sanding sheet, elongated<sup>A)</sup>
- (19) Screws for elongated sanding plate<sup>A)</sup>
- (20) Sanding sheet, triangular<sup>A)</sup>
- (21) Sanding plate, triangular, elongated<sup>A)</sup>
- (22) Extraction outlet
- (23) Dust extraction hose<sup>A)</sup>

A) **Accessories shown or described are not included with the product as standard. You can find the complete selection of accessories in our accessories range.**



| Orbital sander                             |     | GSS 230 AVE | GSS 280 AVE |
|--|-----|-------------|-------------|
| Orbital stroke rate preselection           |     | ●           | ●           |
| Rated power input                          | W   | 300         | 350         |
| No-load speed                              | rpm | 8000–11000  | 8000–11000  |
| No-load orbital stroke rate                | rpm | 16000–22000 | 16000–22000 |
| Orbit diameter                             | mm  | 2.4         | 2.4         |
| Sanding sheet dimensions                   |     |             |             |
| – Hook-and-loop backing                    | mm  | 93 x 185    | 115 x 230   |
| – Clamping tension                         | mm  | 93 x 230    | 115 x 280   |
| Sanding plate dimensions                   | mm  | 92 x 182    | 114 x 226   |
| Weight according to EPTA-Procedure 01:2014 | kg  | 2.5         | 2.8         |
| Protection class                           |     | □ / II      | □ / II      |

The specifications apply to a rated voltage [U] of 230 V. These specifications may vary at different voltages and in country-specific models.

## Assembly

- ▶ **Pull the plug out of the socket before carrying out any work on the power tool.**

### Dust/chip extraction

The dust from materials such as lead paint, some types of wood, minerals and metal can be harmful to human health. Touching or breathing in this dust can trigger allergic reactions and/or cause respiratory illnesses in the user or in people in the near vicinity.

Certain dusts, such as oak or beech dust, are classified as carcinogenic, especially in conjunction with wood treatment additives (chromate, wood preservative). Materials containing asbestos may only be machined by specialists.

- Use a dust extraction system that is suitable for the material wherever possible.
- Provide good ventilation at the workplace.
- It is advisable to wear a P2 filter class breathing mask.

The regulations on the material being machined that apply in the country of use must be observed.

- ▶ **Avoid dust accumulation at the workplace.** Dust can easily ignite.

### Self-generated dust extraction with dust box (see figures I–M)

Slide the dust box (7) onto the extraction outlet (22). Turn the dust box in such a manner that its recesses face against the tips on the extraction outlet and the dust box can be felt to engage.

You can easily check the filling level of the dust box (7) through the transparent container.

To empty the dust box (7), rotate slightly and pull it back.

Unscrew the filter element (6) and pull it out of the dust box (7). Empty the dust box.

Gently tap the filter element (6) against a solid surface to loosen the dust. Use a soft brush to clean the flaps of the filter element (6).

**Note:** In order to ensure optimum dust extraction, empty the dust box (7) in good time and clean the filter element (6) regularly.

When working on vertical surfaces, hold the power tool with the dust box (7) facing downwards.

### External dust extraction (see figure N)

Fit a dust extraction hose (23) onto the extraction outlet (22). Mount the vacuum hose onto the extraction outlet (as shown in the figure) in such a manner that the lateral openings on the extraction outlet remain free. This prevents the power tool from adhering to the workpiece during sanding and the surface quality of the workpiece from being impaired.

Connect the dust extraction hose (23) to an extractor. You will find an overview of connecting to various dust extractors at the end of these operating instructions.

The dust extractor must be suitable for the material being worked.

When extracting dry dust that is especially detrimental to health or carcinogenic, use a special dust extractor.

When working on vertical surfaces, hold the power tool with the dust extraction hose facing downwards.

### Changing the sanding sheet

Remove dirt and dust from the sanding plate (10), e.g. with a brush, before attaching a new sanding sheet.

To ensure optimum dust extraction, make sure that the punched holes in the sanding sheet are aligned with the drilled holes in the sanding plate.

### Sanding sheets with hook-and-loop backing (see figure E)

The sanding plate (10) is fitted with a hook-and-loop fastening, allowing sanding sheets with a similar backing to be secured quickly and easily.

Tap the hook-and-loop fastening of the sanding plate (10) before fitting the sanding sheet (14) to facilitate maximum adhesion.



Position the sanding sheet **(14)** so that it is flush with one side of the sanding plate **(10)**, then place the sanding sheet on the sanding plate and press it on firmly.

To remove the sanding sheet **(14)**, take hold of it by a corner and pull it away from the sanding plate **(10)**.

#### **Sanding sheets without hook-and-loop backing (see figures A–B)**

Push the clamping lever **(9)** down.

Slide the sanding sheet **(14)** under the open front clamping bracket **(8)** as far as possible and let go of the clamping lever **(9)**.

Open the clamping lever **(11)**.

Position the sanding sheet **(14)** so that it fits tightly around the sanding plate. Slide the other end of the sanding sheet **(14)** under the open front clamping bracket **(12)** and clamp the sanding sheet in place by closing the clamping lever **(11)**.

Unperforated sanding sheets, e.g. from rolls or bulk stock sold by the metre, can be perforated using the punch **(15)** for the purpose of dust extraction. To do this, fit the sanding sheet on the power tool and push the tool down onto the punch (see figure D).

To remove the sanding sheet **(14)**, open the clamping lever **(11)** and push the clamping lever **(9)** down. Pull the sanding sheet out.

#### **Choosing the sanding sheet**

Different sanding sheets are available, depending on the material you are working with and the required surface removal rate:

|   | Grit                    |
|---|-------------------------|
| <b>red:Wood</b>   | 40–400                  |
| <b>For processing all wood and wood-based materials</b>                                   |                         |
| For pre-sanding, e.g. of rough and uneven beams and boards                                | Coarse 40, 60           |
| For surface sanding and levelling of slight irregularities                                | Medium 80, 100, 120     |
| For finish-sanding and fine sanding of hardwoods  | Fine 180, 240, 320, 400 |
| <b>White:Paint</b>  | 40–320                  |
| <b>For processing paint and lacquer layers or primers such as fillers and bodyfillers</b> |                         |
| For sanding down paint  | Coarse 40, 60           |
| For sanding undercoats  | Medium 80, 100, 120     |
| For final sanding of primers prior to painting  | Fine 180, 240, 320      |

**Note:** To avoid the sanding sheet tearing, only use sanding sheets with a grit of 80 or above.

#### **Changing the sanding plate (see figure F)**

If necessary, the sanding plate **(10)** can be replaced.

Unscrew the six screws **(16)** completely and remove the sanding plate **(10)**. Fit the new sanding plate **(10)** and retighten the screws.

#### **Special Sanding Plates**

You can replace the standard supplied sanding plate **(10)** with one of the special sanding plates that are available as accessories.

Special sanding plates are fitted in exactly the same way as the standard supplied sanding plate.

Likewise, each sanding sheet is attached and removed in exactly the same way as the original sanding sheet.

#### **Elongated sanding plate, triangular, thin (see figure G)**

Using the triangular, thin, elongated sanding plate **(17)** enables you to sand difficult-to-reach places and tight spaces such as window and door posts, grooves, or behind radiators and water pipes.

To fit the triangular, thin, elongated sanding plate **(17)**, use the screws designed for this purpose **(19)**.

#### **Elongated sanding plate, triangular (see figure H)**

Using the triangular, elongated sanding plate **(21)** enables you to sand edges and corners.

#### **Fine sanding plate (without hook-and-loop backing) (see figures A–B)**

If you primarily use standard sanding sheets without hook-and-loop backing, we recommend using the fine sanding plate without hook-and-loop backing. The flat surface of the fine sanding plate will help achieve optimal sanding results, especially when carrying out fine sanding.

#### **Auxiliary handle**

The auxiliary handle **(1)** enables comfortable handling and optimum power distribution, with a high sanding removal rate in particular.

Use the screw **(2)** to secure the auxiliary handle **(1)** on the housing.

## **Operation**

### **Starting Operation**

- ▶ **Pay attention to the mains voltage. The voltage of the power source must match the voltage specified on the rating plate of the power tool. Power tools marked with 230 V can also be operated with 220 V.**
- ▶ **Products that are only sold in AUS and NZ:** Use a residual current device (RCD) with a nominal residual current of 30 mA or less.

### **Switching on/off**

- ▶ **Make sure that you are able to press the On/Off switch without releasing the handle.**

To **switch on** the power tool, press and hold the on/off switch **(4)**.

To **lock** the on/off switch **(4)** press and hold it while also pushing the lock-on button **(5)**.

To **switch off** the power tool, release the on/off switch **(4)**. If the on/off switch **(4)** is locked, press the switch first and then release it.

#### Preselecting the orbital stroke rate

You can even preselect the orbital stroke rate during operation using the necessary orbital stroke rate preselection thumbwheel **(3)**.

The required orbital stroke rate is dependent on the material and the work conditions and can be determined using practical tests.

#### Practical advice

- ▶ **Pull the plug out of the socket before carrying out any work on the power tool.**
- ▶ **Always wait until the power tool has come to a complete stop before placing it down.**

The material removal rate and sanding result are primarily determined by the choice of sanding sheet, the preselected orbital stroke rate level and the contact pressure.

Only immaculate sanding sheets achieve good sanding performance and make the power tool last longer.

Be sure to apply consistent contact pressure in order to increase the lifetime of the sanding sheets.

Excessively increasing the contact pressure will not lead to increased sanding performance, rather it will cause more severe wear of the power tool and of the sanding sheet.

Do not use a sanding sheet for other materials after it has been used to work on metal.

Use only original Bosch sanding accessories.

## Maintenance and Servicing

### Maintenance and Cleaning

- ▶ **Pull the plug out of the socket before carrying out any work on the power tool.**
- ▶ **To ensure safe and efficient operation, always keep the power tool and the ventilation slots clean.**

In order to avoid safety hazards, if the power supply cord needs to be replaced, this must be done by Bosch or by a customer service centre that is authorised to repair Bosch power tools.

### After-sales Service and Advice on Using Products

Our after-sales service can answer questions concerning product maintenance and repair, as well as spare parts. You can find exploded drawings and information on spare parts at: [www.bosch-pt.com](http://www.bosch-pt.com)

The Bosch product use advice team will be happy to help you with any questions about our products and their accessories.

[www.powertool-portal.de](http://www.powertool-portal.de), the internet portal for tradespeople and DIY enthusiasts.

In all correspondence and spare parts orders, please always include the 10-digit article number given on the type plate of the product.

#### Cambodia

Robert Bosch (Cambodia) Co., Ltd  
Unit 8BC, GT Tower, 08th Floor, Street 169,  
Czechoslovakia Blvd, Sangkat Veal Vong  
Khan 7 Makara, Phnom Penh  
VAT TIN: 100 169 511  
Tel.: +855 23 900 685  
Tel.: +855 23 900 660  
[www.bosch.com.kh](http://www.bosch.com.kh)

#### People's Republic of China China Mainland

Bosch Power Tool (China) Co. Ltd.  
Bosch Service Center  
567, Bin Kang Road  
Bin Kang District  
Hangzhou, Zhejiang Province  
China 310052  
Tel.: (0571) 8887 5566 / 5588  
Fax: (0571) 8887 6688 x 5566# / 5588#  
E-mail: [bosc.hz@cn.bosch.com](mailto:bosc.hz@cn.bosch.com)  
[www.bosch-pt.com.cn](http://www.bosch-pt.com.cn)

#### HK and Macau Special Administrative Regions

Robert Bosch Co. Ltd.  
21st Floor, 625 King's Road  
North Point, Hong Kong  
Customer Service Hotline: +852 2101 0235  
Fax: +852 2590 9762  
E-mail: [info@hk.bosch.com](mailto:info@hk.bosch.com)  
[www.bosch-pt.com.hk](http://www.bosch-pt.com.hk)

#### India

Bosch Service Center  
69, Habibullah Road, (next to PSBB School), T. Nagar  
Chennai-600077  
Phone: (044) 64561816  
Bosch Service Center Rishyamook  
85A, Panchkuin Road  
New Delhi-110001  
Phone: (011) 43166190  
Bosch Service Center 79,  
Crystal Bldg., Dr. Annie Besant Road, Worli  
Mumbai-400018  
Phone: (022) 39569936 / (022) 39569959 /  
(022) 39569967 / (022) 24952071

#### Indonesia

PT Robert Bosch  
Palma Tower 10th Floor  
Jalan RA Kartini II-S Kaveling 6  
Pondok Pinang, Kebayoran Lama  
Jakarta Selatan 12310  
Tel.: (21) 3005-5800  
[www.bosch-pt.co.id](http://www.bosch-pt.co.id)

#### Malaysia

Robert Bosch Sdn. Bhd.(220975-V) PT/SMY  
No. 8A, Jalan 13/6

46200 Petaling Jaya  
Selangor  
Tel.: (03) 79663194  
Toll-Free: 1800 880188  
Fax: (03) 79583838  
E-mail: kiathoe.chong@my.bosch.com  
www.bosch-pt.com.my

#### **Pakistan**

Robert Bosch Middle East FZE – Pakistan Liaison Office  
2nd Floor Plaza # 10, CCA Block, DHA Phase 5  
Lahore, 54810  
Phone: +92(303)4444311  
E-mail: Faisal.Khan@bosch.com

#### **Philippines**

Robert Bosch, Inc.  
28th Floor Fort Legend Towers,  
3rd Avenue corner 31st Street,  
Fort Bonifacio, Global City,  
1634 Taguig City  
Tel.: (632) 8703871  
Fax: (632) 8703870  
www.bosch-pt.com.ph

#### **Singapore**

Powerwell Service Centre Ptd Ltd  
Bosch Authorised Service Centre (Power Tools)  
4012 Ang Mo Kio Ave 10, #01-02 TECHplace  
Singapore 569628  
Tel.: 6452 1770  
Fax: 6452 1760  
E-mail: ask@powerwellsc.com  
www.powerwellsc.com  
www.bosch-pt.com.sg

#### **Thailand**

Robert Bosch Ltd.  
Liberty Square Building  
No. 287, 11 Floor  
Silom Road, Bangrak  
Bangkok 10500  
Tel.: 02 6393111  
Fax: 02 2384783  
Robert Bosch Ltd., P. O. Box 2054  
Bangkok 10501  
www.bosch.co.th  
Bosch Service – Training Centre  
La Salle Tower Ground Floor Unit No.2  
10/11 La Salle Moo 16  
Srinakharin Road  
Bangkaew, Bang Plee  
Samutprakarn 10540  
Tel.: 02 7587555  
Fax: 02 7587525

#### **Vietnam**

Branch of Bosch Vietnam Co., Ltd in HCMC  
14th floor, Deutsches Haus, 33 Le Duan  
Ben Nghe Ward, District 1, Ho Chi Minh City  
Tel.: (028) 6258 3690  
Fax: (028) 6258 3692 - 6258 3694  
Hotline: (028) 6250 8555

E-mail: [tuvankhachhang-pt@vn.bosch.com](mailto:tuvankhachhang-pt@vn.bosch.com)  
[www.bosch-pt.com.vn](http://www.bosch-pt.com.vn)

#### **Armenia, Azerbaijan, Georgia, Kyrgyzstan, Mongolia, Tajikistan, Turkmenistan, Uzbekistan**

TOO "Robert Bosch" Power Tools, After Sales Service  
Rayimbek Ave., 169/1  
050050, Almaty, Kazakhstan  
Service e-mail: [service.pt.ka@bosch.com](mailto:service.pt.ka@bosch.com)  
Official website: [www.bosch.com](http://www.bosch.com), [www.bosch-pt.com](http://www.bosch-pt.com)

#### **Bahrain**

Hatem Al Juffali Technical Equipment Establishment.  
Kingdom of Bahrain, Setra Highway, Al Aker Area  
Phone: +966126971777-311  
Fax: +97317704257  
E-mail: [h.berjas@ejb.com.sa](mailto:h.berjas@ejb.com.sa)

#### **Egypt**

Unimar  
20 Markaz kadmat  
El tagmoa EL Aoul – New Cairo  
Phone: +20 2224 76091-95  
Phone: +20 2224 78072-73  
Fax: +20222478075  
E-mail: [adelzaki@unimaregypt.com](mailto:adelzaki@unimaregypt.com)

#### **Iran**

Robert Bosch Iran  
3rd Floor, No 3, Maadiran Building  
Aftab St., Khodami St., Vanak Sq.  
Tehran 1994834571  
Phone: +9821 86092057

#### **Iraq**

Sahba Technology Group  
Al Muthana airport road  
Baghdad  
Phone: +9647901906953  
Phone Dubai: +97143973851  
E-mail: [bosch@sahbatechnology.com](mailto:bosch@sahbatechnology.com)

#### **Jordan**

Roots Arabia – Jordan  
Nasser Bin Jameel street, Building 37 Al Rabiah  
11194 Amman  
Phone: +962 6 5545778  
E-mail: [bosch@rootsjordan.com](mailto:bosch@rootsjordan.com)

#### **Kuwait**

Al Qurain Automotive Trading Company  
Shuwaikh Industrial Area, Block 1, Plot 16, Street 3rd  
P.O. Box 164 – Safat 13002  
Phone: 24810844  
Fax: 24810879  
E-mail: [josephkr@aaalmutawa.com](mailto:josephkr@aaalmutawa.com)

#### **Lebanon**

Tehini Hana & Co. S.A.R.L.  
P.O. Box 90-449  
Jdeideh  
Dora-Beirut  
Phone: +9611255211  
E-mail: [service-pt@tehini-hana.com](mailto:service-pt@tehini-hana.com)

**Libya**

El Naser for Workshop Tools  
Swanee Road, Alfalah Area  
Tripoli

Phone: +218 21 4811184

**Oman**

Malatan Trading & Contracting LLC  
P.O. Box 131

Ruwi, 112 Sultanate of Oman

Phone: +968 99886794

E-mail: malatanpowertools@malatan.net

**Qatar**

International Construction Solutions W L L

P. O. Box 51,

Doha Phone: +974 40065458

Fax: +974 4453 8585

E-mail: csd@icsdoha.com

**Saudi Arabia**

Juffali Technical Equipment Co. (JTECO)

Kilo 14, Madinah Road, Al Bawadi District

Jeddah 21431

Phone: +966 2 6672222 Ext. 1528

Fax: +966 2 6676308

E-mail: roland@ejab.com.sa

**Syria**

Dallal Establishment for Power Tools

P.O. Box 1030

Aleppo

Phone: +963212116083

E-mail: rita.dallal@hotmail.com

**United Arab Emirates**

Central Motors & Equipment LLC, P.O. Box 1984

Al-Wahda Street – Old Sana Building

Sharjah

Phone: +971 6 593 2777

Fax: +971 6 533 2269

E-mail: powertools@centralmotors.ae

**Yemen**

Abualrejal Trading Corporation

Sana'a Zubairy St. Front to new Parliament Building

Phone: +967-1-202010

Fax: +967-1-279029

E-mail: tech-tools@abualrejal.com

**Ethiopia**

Forever plc

Kebele 2,754, BP 4806,

Addis Ababa

Phone: +251 11 560 600

E-mail: foreverplc@ethionet.et

**Ghana**

C.WOERMANN LTD.

Nsawam Road/Avenor Junction, P.O. Box 1779

Accra Phone: +233 302 225 141

**Kenya**

Robert Bosch East Africa Ltd

Mpaka Road P.O. Box 856

00606 Nairobi

**Nigeria**

Robert Bosch Nigeria Ltd.

52–54 Isaac John Street P.O. Box

GRA Ikeja – Lagos

**Republic of South Africa****Customer service**

Hotline: (011) 6519600

**Gauteng – BSC Service Centre**

35 Roper Street, New Centre

Johannesburg

Tel.: (011) 4939375

Fax: (011) 4930126

E-mail: bsctools@icon.co.za

**KZN – BSC Service Centre**

Unit E, Almar Centre

143 Crompton Street

Pinetown

Tel.: (031) 7012120

Fax: (031) 7012446

E-mail: bsc.dur@za.bosch.com

**Western Cape – BSC Service Centre**

Democracy Way, Prosperity Park

Milnerton

Tel.: (021) 5512577

Fax: (021) 5513223

E-mail: bsc@zsd.co.za

**Bosch Headquarters**

Midrand, Gauteng

Tel.: (011) 6519600

Fax: (011) 6519880

E-mail: rbsa-hq.pts@za.bosch.com

**Tanzania**

Diesel & Autoelectric Service Ltd.

117 Nyerere Rd., P. O. Box 70839

Vingunguti 12109, Dar Es Salaam

Phone: +255 222 861 793/794

**Australia, New Zealand and Pacific Islands**

Robert Bosch Australia Pty. Ltd.

Power Tools

Locked Bag 66

Clayton South VIC 3169

Customer Contact Center

Inside Australia:

Phone: (01300) 307044

Fax: (01300) 307045

Inside New Zealand:

Phone: (0800) 543353

Fax: (0800) 428570

Outside AU and NZ:

Phone: +61 3 95415555

www.bosch-pt.com.au

www.bosch-pt.co.nz

## Disposal

The power tool, accessories and packaging should be recycled in an environmentally friendly manner.



Do not dispose of power tools along with household waste.

# 中文

## 安全规章

### 电动工具通用安全警告

**警告！** 警告！ 阅读所有警告和所有说明！ 不遵照以下警告和说明会导致电击、着火和/或严重伤害。

保存所有警告和说明书以备查阅。

在所有下列的警告中术语“电动工具”指市电驱动（有线）电动工具或电池驱动（无线）电动工具。

#### 工作场地的安全

- ▶ 保持工作场地清洁和明亮。混乱和黑暗的场地会引发事故。
- ▶ 不要在易爆环境，如有易燃液体、气体或粉尘的环境下操作电动工具。电动工具产生的火花会点燃粉尘或气体。
- ▶ 让儿童和旁观者离开后操作电动工具。注意力不集中会使操作者失去对工具的控制。

#### 电气安全

- ▶ 电动工具插头必须与插座相配。绝不能以任何方式改装插头。需接地的电动工具不能使用任何转换插头。未经改装的插头和相配的插座将减少电击危险。
- ▶ 避免人体接触接地表面，如管道、散热片和冰箱。如果你身体接地会增加电击危险。
- ▶ 不得将电动工具暴露在雨中或潮湿环境中。水进入电动工具将增加电击危险。
- ▶ 不得滥用电线。绝不能用电线搬运、拉动电动工具或拔出其插头。使电线远离热源、油、锐边或运动部件。受损或缠绕的软线会增加电击危险。
- ▶ 当在户外使用电动工具时，使用适合户外使用的外接软线。适合户外使用的软线将减少电击危险。
- ▶ 如果在潮湿环境下操作电动工具是不可避免的，应使用剩余电流动作保护器（RCD）。使用RCD可减小电击危险。

#### 人身安全

- ▶ 保持警觉，当操作电动工具时关注所从事的操作并保持清醒。当你感到疲倦，或在有药物、酒精或治疗反应时，不要操作电动工具。在操作电动工具时瞬间的疏忽会导致严重人身伤害。

- ▶ 使用个人防护装置。始终佩戴护目镜。安全装置，诸如适当条件下使用防尘面具、防滑安全鞋、安全帽、听力防护等装置能减少人身伤害。
- ▶ 防止意外起动。确保开关在连接电源和/或电池盒、拿起或搬运工具时处于关断位置。手指放在已接通电源的开关上或开关处于接通时插入插头可能会导致危险。
- ▶ 在电动工具接通之前，拿掉所有调节钥匙或扳手。遗留在电动工具旋转零件上的扳手或钥匙会导致人身伤害。
- ▶ 手不要伸展得太长。时刻注意立足点和身体平衡。这样在意外情况下能很好地控制电动工具。
- ▶ 着装适当。不要穿宽松衣服或佩戴饰品。让衣服、手套和头发远离运动部件。宽松衣服、佩饰或长发可能会卷入运动部件中。
- ▶ 如果提供了与排屑、集尘设备连接的装置，要确保他们连接完好且使用得当。使用这些装置可减少尘屑引起的危险。
- ▶ 即使由于经常使用电动工具而对此非常熟悉，也不要就认为可以高枕无忧而忽略工具的安全规定。粗心大意的行为可能在瞬间就造成严重的伤害。

#### 电动工具使用和注意事项 电动工具使用和注意事项

- ▶ 不要滥用电动工具，根据用途使用适当的电动工具。选用适当设计的电动工具会使你工作更有效、更安全。
- ▶ 如果开关不能接通或关断工具电源，则不能使用该电动工具。如果开关不能接通或关断工具电源，则不能使用该电动工具。
- ▶ 在进行任何调节、更换附件或贮存电动工具之前，必须从电源上拔掉插头和/或使电池盒与工具脱离。这种防护性措施将减少工具意外起动的危险。
- ▶ 将闲置不用的电动工具贮存在儿童所及范围之外，并且不要让不熟悉电动工具或对这些说明不了解的人操作电动工具。电动工具在未经培训的用户手中是危险的。
- ▶ 保养电动工具。检查运动件是否调整到位置或卡住。检查零件破损情况和影响电动工具运行的其他状况。如有损坏，电动工具应在使用前修理好。许多事故由维护不良的电动工具引发。
- ▶ 保持切削刀具锋利和清洁。保养良好的有锋利切削刃的刀具不易卡住而且容易控制。
- ▶ 按照使用说明书，考虑作业条件和进行的作业来使用电动工具、附件和工具的刀头等。将电动工具用于那些与其用途不符的操作可能会导致危险。
- ▶ 保持手柄和握持表面干燥、清洁、无油污。在突发情况下，滑溜的手柄和握持表面无法确保安全地握持和控制工具。

#### 维修

- ▶ 将电动工具用于那些与其用途不符的操作可能会导致危险。这样将确保所维修的电动工具的安全性。

## 针对研磨机的安全规章

- ▶ 工作时要使用双手握紧电动工具并确保站稳。使用双手才能够稳定地操作电动工具。
- ▶ 本电动工具仅可用于干法研磨。水进入电动工具将增加电击危险。
- ▶ 注意火灾危险！应避免磨料和研磨机过热。每次工作休息前都要清空集尘腔。集尘袋、微过滤器、纸袋（或者吸尘器的过滤袋或过滤器）内的磨削粉尘可能会在不良条件下（例如研磨金属时火花飞溅）被点燃。如果磨削粉尘与油漆或聚氨酯残余物或者其他化学原料混合，且磨料在长时间作业后产生高温时，会产生极大危险。
- ▶ 定期清洁电动工具的通风间隙。电动机风扇会将灰尘吸进机壳，过多的金属粉末沉积会导致电气危险。
- ▶ 固定好工件。使用固定装置或老虎钳固定工件，会比用手持握工件更牢固。
- ▶ 等待电动工具完全静止后才能够放下机器。

## 产品和性能说明



请阅读所有安全规章和指示。不遵照以下警告和说明可能导致电击、着火和/或严重伤害。  
请注意本使用说明书开头部分的图示。

### 插图上的机件

机件的编号和电动工具详解图上的编号一致。

- (1) 辅助手柄（绝缘握柄）<sup>A)</sup>

### 技术参数

| 振动磨机                       |      | GSS 230 AVE   | GSS 280 AVE   |
|----------------------------|------|---------------|---------------|
| 物品代码                       |      | 3 601 B92 8.. | 3 601 B92 9.. |
| 集尘盒，包含在供货范围中               |      | ●             | ●             |
| 振动次数预选                     |      | ●             | ●             |
| 额定输入功率                     | 瓦    | 300           | 350           |
| 无负载转速                      | 转/分钟 | 8000-11000    | 8000-11000    |
| 空载轨道速率                     | 转/分钟 | 16000-22000   | 16000-22000   |
| 振动圆直径                      | 毫米   | 2.4           | 2.4           |
| 砂纸尺寸                       |      |               |               |
| - 魔术贴                      | 毫米   | 93 x 185      | 115 x 230     |
| - 夹紧压力                     | 毫米   | 93 x 230      | 115 x 280     |
| 磨板尺寸                       | 毫米   | 92 x 182      | 114 x 226     |
| 重量符合EPTA-Procedure 01:2014 | 千克   | 2.5           | 2.8           |
| 保护等级                       |      | □/II          | □/II          |

所有参数适用于230伏的额定电压[U]，对于其他不同的电压和国际规格，数据有可能不同。

## 安装

- ▶ 在电动工具上进行所有操作之前都必须从插座上拔出电源插头。

- (2) 辅助手柄螺栓<sup>A)</sup>
- (3) 振动次数预选调节轮
- (4) 电源开关
- (5) 电源开关的锁定按钮
- (6) 滤芯（微滤系统）
- (7) 集尘盒总成（微滤系统）
- (8) 后部夹条
- (9) 夹紧杆
- (10) 磨板
- (11) 夹紧杆
- (12) 前部夹条
- (13) 手柄（绝缘握柄）
- (14) 砂纸<sup>A)</sup>
- (15) 穿孔工具<sup>A)</sup>
- (16) 磨板螺栓
- (17) 加长薄磨板<sup>A)</sup>
- (18) 加长砂纸<sup>A)</sup>
- (19) 用于加长磨板的螺栓<sup>A)</sup>
- (20) 三角形砂纸<sup>A)</sup>
- (21) 加长三角形磨板<sup>A)</sup>
- (22) 吸尘器转换接口
- (23) 集尘软管<sup>A)</sup>

<sup>A)</sup> 图表或说明上提到的附件，并不包含在基本的供货范围中。本公司的附件清单中有完整的附件供应项目。

## 吸锯尘/吸锯屑

含铅的颜料以及某些木材、矿物和金属的加工废尘有害健康。机器操作者或者工地附近的人如果接触、吸入这些废尘，可能会有过敏反应或者感染呼吸道疾病。



某些尘埃（例如加工橡木或山毛榉的废尘）可能致癌，特别是和处理木材的添加剂（例如木材的防腐剂等）结合之后。只有经过专业培训的人才能够加工含石棉的物料。

- 尽可能使用适合物料的吸尘装置。
- 工作场所要保持空气流通。
- 最好佩戴P2滤网等级的口罩。

请留心并遵守贵国和加工物料有关的法规。

▶ **避免让工作场所堆积过多的尘垢。** 尘埃容易被点燃。

#### 利用集尘盒自集尘（参见插图I - M）

将集尘盒(7)推到排气孔接头(22)上。此时要拧转集尘盒，让集尘盒的凹陷靠在排气孔接头的突出尖端上，并要确定集尘盒已经正确地卡牢。

可通过一个透明的容器轻松控制集尘盒(7)集尘量。

清空集尘盒(7)时，请将其略微转动向后拔下。

拧上滤芯(6)并将其从集尘盒(7)拉出。倒空集尘盒。轻轻敲击滤芯(6)的硬垫，使灰尘脱落。用一支软刷清洁滤芯(6)膜片。

**提示：**为确保最佳集尘效果，请及时清空集尘盒(7)并定期清洁滤芯(6)。

在垂直的平面上操作电动工具时，必须以集尘盒(7)朝下的方式握持电动工具。

#### 外部集尘（参见插图N）

将集尘软管(23)插到排气孔接头(22)上。连接吸管和接头时（参考插图），不可以堵住排气孔接头侧面上的开孔。如果排气孔接头侧面的开孔能够保持畅通，可以避免电动工具在研磨时紧紧地吸附于工件上，并进而损坏了工件的表面。

将集尘软管(23)与吸尘器连接。在本使用说明书的末尾可以找到各种集尘器的连接概览。

根据工件的物料选择合适的吸尘装置。

吸尘可能危害健康，可能导致癌症或干燥的废尘时，务必使用特殊的吸尘装置。

在垂直的平面上操作电动工具时，必须以吸管朝下的方式握持电动工具。

#### 更换砂纸

装入新砂纸前，用刷子清除磨板(10)上的脏污和灰尘。

注意将砂纸的冲孔与磨板上的孔重叠，以确保最佳的集尘效果。

#### 带魔术贴的砂纸（见图片E）

磨板(10)带有尼龙织物，因此可通过魔术贴快速便捷地固定砂纸。

装入砂纸(14)前，先敲出磨板(10)的尼龙织物，以便实现最佳粘合效果。

将砂纸(14)齐平贴在磨板(10)的一面上，然后将砂纸放到磨板上并压紧。

如需取下砂纸(14)，请抓住尖部，然后从磨板(10)上取下。

#### 不带魔术贴的砂纸（见图片A - B）

向下按压夹紧杆(9)。

将砂纸(14)推到打开的后部夹条(8)下方直至极限位置，然后松开夹紧杆(9)。

打开夹紧杆(11)。

将砂纸(14)紧绷地铺在磨板上。将砂纸(14)的另一端推到打开的前部夹条(12)下方，然后关上夹紧杆(11)以牢牢夹紧砂纸。

无孔砂纸，比如整卷或整米卖的砂纸，可以用穿孔工具(15)为其打孔，以便能够吸尘。为此，请将已安装好砂纸的电动工具压到穿孔工具上（见图片D）。如要取下砂纸(14)，打开夹紧杆(11)并向下按压夹紧杆(9)。抽出砂纸。

#### 选择砂纸

根据工件的物料和希望的物表研磨效果，选择合适的砂纸：

|                        | 目数                   |
|------------------------|----------------------|
| <b>red:Wood</b>        | 40-400               |
| <b>用于加工所有木质材料</b>      |                      |
| 对于初磨，例如粗糙、未刨光的方木和木板    | 粗 40, 60             |
| 平面打磨和磨平轻微的不平整表面        | 中 80, 100, 120       |
| 在硬木上做最后的打磨和精磨工作        | 细 180, 240, 320, 400 |
| <b>white:Paint</b>     | 40-320               |
| <b>加工颜料/漆料或底料、填隙料等</b> |                      |
| 磨除颜料层                  | 粗 40, 60             |
| 打磨底漆                   | 中 80, 100, 120       |
| 上漆前磨平底料                | 细 180, 240, 320      |

**提示：**为避免砂纸撕裂，只能使用目数自80起的砂纸。

#### 更换磨板（见图片F）

可根据需求更换磨板(10)。

小心地旋出6个螺栓(16)，然后取下磨板(10)。装上新磨板(10)，然后重新拧紧螺栓。

#### 非标磨板

可以用作为附件购买的非标磨板替换标配磨板(10)。安装非标磨板的方式与安装标配磨板的方式相同。安装和拆卸相应砂纸的方式可以参照原装砂纸的更换方法。

#### 加长薄磨板，长方形（见图片G）

使用长方形的加长薄磨板(17)可以在难以够到的位置和狭窄空间进行打磨，比如门窗板条、沟槽或暖气片和水管的后面。

安装长方形的加长薄磨板(17)时，请使用配套的螺栓(19)。

#### 三角形的加长磨板（见图片H）

使用三角形的加长磨板(21)可以在边角区域打磨。



### 细磨磨板（无魔术贴）（见图片A-B）

如果您主要使用无魔术贴的标砂纸，建议您使用无魔术贴的细磨磨板。细磨磨板的表面平坦光滑，特别是在进行细磨时能够制造非常好的打磨效果。

### 辅助手柄

辅助手柄(1)可以实现便捷操作和最佳的力分配，尤其是在高研磨率时。

将辅助手柄(1)用螺栓(2)固定到外壳上。

## 操作

### 投入使用

- ▶ **注意电源电压！**电源的电压必须和电动工具铭牌上标示的电压一致。标记为230伏电动工具用220伏的电压可以驱动。

### 接通/关闭

- ▶ **请确保握住手柄时可以开启/关闭开关。**

如要**接通**电动工具，请按压电源开关(4)并按住。

如需**锁定**电源开关(4)，请按住该开关并另外按压锁定按钮(5)。

要**关闭**电动工具，松开电源开关(4)。电源开关(4)锁住时，先按压，然后再松开。

### 预选振动次数

利用振荡次数预选调节轮(3)也可以在运行过程中预选所需的振荡次数。

正确的振荡次数是由工件和工作条件决定，唯有实际操作才能够找出最合适的振荡次数。

### 工作提示

- ▶ **在电动工具上进行所有操作之前都必须从插座上拔出电源插头。**

- ▶ **等待电动工具完全静止后才能够放下机器。**

磨除效率和打磨效果主要由所选择的砂纸、预选的振荡级和操作机器时施压大小决定。

只有完好的砂纸才能够提高研磨功率，并且保护电动工具。

操作机器时要均匀施压，如此才能够提高砂纸的使用寿命。

在机器上过度施压，不仅无法提高研磨功率，反而容易损坏机器并提高砂纸的耗损率。

不可以使用研磨过金属的砂纸研磨其它的物料。

只能使用博世原厂的研磨附件。

## 维修和服务

### 维护和清洁

- ▶ **在电动工具上进行所有操作之前都必须从插座上拔出电源插头。**

- ▶ **电动工具和通气孔必须随时保持清洁，以确保工作效率和工作安全。**

如果必须更换连接线，务必把这项工作交给博世或者经授权的博世电动工具顾客服务执行，以避免危害机器的安全性能。

### 客户服务和应用咨询

本公司顾客服务处负责回答有关本公司产品的修理、维护和备件的问题。备件的分解图和信息也可查看：[www.bosch-pt.com](http://www.bosch-pt.com)  
博世应用咨询团队乐于就我们的产品及其附件问题提供帮助。

[www.powertool-portal.de](http://www.powertool-portal.de)，适合工匠和DIY者的互联网门户网站。

如需查询和订购备件，请务必提供产品型号铭牌上的10位数货号。

### 香港和澳门特别行政区

罗伯特博世有限公司  
香港北角英皇道625号，  
21楼

客户服务热线：+852 2101 0235

传真：+852 2590 9762

电子邮件：[info@hk.bosch.com](mailto:info@hk.bosch.com)

[www.bosch-pt.com.hk](http://www.bosch-pt.com.hk)

### 中国大陆

博世电动工具（中国）有限公司，中国浙江省杭州市  
滨江区滨康路567号

102/1F服务中心

邮政编码：310052

电话：(0571) 8887 5566 / 5588

传真：(0571) 8887 6688 x 5566# / 5588#

电邮：[bsc\\_hz@cn.bosch.com](mailto:bsc_hz@cn.bosch.com)

### 中华人民共和国

### 中国大陆

博世电动工具（中国）有限公司  
博世服务中心

中国浙江省杭州市

滨江区

滨康路567号，

310052

电话：(0571) 8887 5566 / 5588

传真：(0571) 8887 6688 x 5566# / 5588#

电子邮件：[bsc\\_hz@cn.bosch.com](mailto:bsc_hz@cn.bosch.com)

[www.bosch-pt.com.cn](http://www.bosch-pt.com.cn)

### 处理废弃物

必须以符合环保要求的方式回收再利用电动工具、附件和包装材料。



请勿将电动工具扔到生活垃圾中！

## 繁體中文

### 安全注意事項

#### 電動工具一般安全注意事項

**警告** 請詳讀工作臺及電動工具的所有安全警告與使用說明。若不遵照以下列出的指示，將可能導致電擊、著火和/或人員重傷。

保存所有警告和說明書以備查閱。

在所有警告中，「電動工具」此一名詞泛指：以市電驅動的（有線）電動工具或是以電池驅動的（無線）電動工具。

#### 工作場地的安全

- ▶ 保持工作場地清潔和明亮。混亂和黑暗的場地會引發事故。
- ▶ 不要在易爆環境，如有易燃液體、氣體或粉塵的環境下操作電動工具。電動工具產生的火花會點燃粉塵或氣體。
- ▶ 讓兒童和旁觀者離開後操作電動工具。注意力不集中會使您失去對工具的控制。

#### 電氣安全

- ▶ 電動工具插頭必須與插座相配。絕不能以任何方式改裝插頭。需接地的電動工具不能使用任何轉換插頭。未經改裝的插頭和相配的插座將減少電擊危險。
- ▶ 避免人體接觸接地表面，如管道、散熱片和冰箱。如果您身體接地會增加電擊危險。
- ▶ 不得將電動工具暴露在雨中或潮濕環境中。水進入電動工具將增加電擊危險。
- ▶ 不得濫用電線。絕不能用電線搬運、拉動電動工具或拔出其插頭。使電線遠離熱源、油、銳利邊緣或移動零件。受損或纏繞的軟線會增加電擊危險。
- ▶ 當在戶外使用電動工具時，使用適合戶外使用的延長線。適合戶外使用的軟線，將減少電擊危險。
- ▶ 如果在潮濕環境下操作電動工具是不可避免的，應使用剩餘電流動作保護器（RCD）。使用RCD可降低電擊危險。

#### 人身安全

- ▶ 保持警覺，當操作電動工具時關注所從事的操作並保持清醒。當您感到疲倦，或在有藥物、酒精或治療反應時，不要操作電動工具。在操作電動工具時瞬間的疏忽會導致嚴重人身傷害。
- ▶ 使用個人防護裝置。始終佩戴護目鏡。安全裝置，諸如適當條件下使用防塵面具、防滑安全鞋、安全帽、聽力防護等裝置能減少人身傷害。
- ▶ 防止意外起動。確保開關在連接電源和/或電池盒、拿起或搬運工具時處於關閉位置。手指放在已接通電源的開關上或開關處於接通時插入插頭可能會導致危險。

- ▶ 在電動工具接通之前，拿掉所有調節鑰匙或扳手。遺留在電動工具旋轉零件上的扳手或鑰匙會導致人身傷害。
- ▶ 手不要伸展得太長。時刻注意立足點和身體平衡。這樣在意外情況下能很好地控制電動工具。
- ▶ 著裝適當。不要穿寬鬆衣服或佩戴飾品。讓您的衣物及頭髮遠離運動部件。寬鬆衣服、佩飾或長髮可能會捲入運動部件中。
- ▶ 如果提供了與排屑、集塵設備連接用的裝置，要確保他們連接完好且使用得當。使用這些裝置可減少塵屑引起的危險。
- ▶ 切勿因經常使用工具所累積的熟練感而過度自信，輕忽工具的安全守則。任何一個魯莽的舉動都可能瞬間造成人員重傷。

#### 電動工具使用和注意事項

- ▶ 不要濫用電動工具，根據用途使用適當的電動工具。選用適當設計的電動工具會使您工作更有效、更安全。
- ▶ 如果開關不能開啟或關閉工具電源，則不能使用該電動工具。不能用開關來控制的電動工具是危險的且必須進行修理。
- ▶ 在進行任何調整、更換配件或貯存電動工具之前，必須從電源上拔掉插頭並/或取出電池盒。這種防護性措施將減少工具意外起動的危險。
- ▶ 將閒置不用的電動工具貯存在兒童所及範圍之外，並且不要讓不熟悉電動工具或對這些說明不瞭解的人操作電動工具。電動工具在未經培訓的用戶手中是危險的。
- ▶ 保養電動工具與配備。檢查運動件是否調整到位或卡住，檢查零件破損情況和影響電動工具運行的其他狀況。如有損壞，電動工具應在使用前修理好。許多事故由維護不良的電動工具引發。
- ▶ 保持切削刀具鋒利和清潔。保養良好的有鋒利切削刃的刀具不易卡住而且容易控制。
- ▶ 按照使用說明書，考慮作業條件和進行的作業來使用電動工具、配件和工具的刀頭等。將電動工具用於那些與其用途不符的操作可能會導致危險。
- ▶ 把手及握持區應保持乾燥、潔淨，且不得沾染任何油液或油脂。易滑脫的把手及握持區將無法讓您在發生意外狀況時安全地抓緊並控制工具。

#### 檢修

- ▶ 將您的電動工具送交專業維修人員，必須使用同樣的備件進行更換。這樣將確保所維修的電動工具的安全性。

#### 砂磨機安全注意事項

- ▶ 作業期間請用雙手牢牢握緊電動工具並保持穩固。使用雙手才能夠更穩地操作電動工具。
- ▶ 本電動工具僅適用於乾式研磨。水進入電動工具將增加電擊危險。
- ▶ 請注意：有失火之虞！請避免砂磨材料或砂帶機過熱。暫停作業之前請務必清空集塵容器。集塵袋、超微細過濾器、紙袋內（或吸塵器過濾袋/濾材內）的研磨粉塵可能在不利條件下自行點燃，例如研磨金屬時所產生的火花。尤其是當研

磨粉塵若混入殘留的烤漆、聚胺酯或其他化學物質，而且在經過長時間運轉後砂磨材料的溫度又極高時，這種情形特別具危險性。

- ▶ **請定期清潔電動工具的通風口。** 電動機風扇會將灰塵吸進機殼，過多的金屬粉末沉積會導致電氣危險。
- ▶ **固定好工件。** 使用固定裝置或老虎鉗固定工件，會比用手持握工件更牢固。
- ▶ **等待電動工具完全靜止後才能夠放下機器。**

## 產品和功率描述



請詳讀所有安全注意事項和指示。如未遵守安全注意事項與指示，可能導致火災、人員遭受電擊及 / 或重傷。請留意操作說明書中最前面的圖示。

### 插圖上的機件

機件的編號和電動工具詳解圖上的編號一致。

- (1) 輔助手柄 (絕緣握柄)<sup>A)</sup>
- (2) 輔助手柄的螺栓<sup>A)</sup>
- (3) 振蕩次數設定轉鈕
- (4) 起停開關

- (5) 起停開關的鎖止按鍵
- (6) 濾芯 (超微細過濾器系統)
- (7) 集塵盒全套件 (超微細過濾器系統)
- (8) 後方緊固夾
- (9) 夾緊桿
- (10) 磨板
- (11) 夾緊桿
- (12) 前方緊固夾
- (13) 把手 (絕緣握柄)
- (14) 研磨片<sup>A)</sup>
- (15) 打孔器<sup>A)</sup>
- (16) 磨板上的螺栓
- (17) 加長型薄磨板<sup>A)</sup>
- (18) 加長型研磨片<sup>A)</sup>
- (19) 加長型磨板的螺栓<sup>A)</sup>
- (20) 三角研磨片<sup>A)</sup>
- (21) 加長型三角磨板<sup>A)</sup>
- (22) 排放接管
- (23) 吸塵軟管<sup>A)</sup>

A) 圖表或說明上提到的配件，並不包含在基本的供貨範圍中。本公司的配件清單中有完整的配件供應項目。

### 技術性數據

| 平板砂磨機                       |       | GSS 230 AVE   | GSS 280 AVE   |
|-----------------------------|-------|---------------|---------------|
| 零件編號                        |       | 3 601 B92 8.. | 3 601 B92 9.. |
| 供貨範圍包含集塵盒                   |       | ●             | ●             |
| 設定振蕩次數                      |       | ●             | ●             |
| 額定輸入功率                      | W     | 300           | 350           |
| 無負載轉速                       | 次 / 分 | 8000-11000    | 8000-11000    |
| 無負載振蕩次數                     | 次 / 分 | 16000-22000   | 16000-22000   |
| 振蕩繞圈直徑                      | mm    | 2.4           | 2.4           |
| 研磨片尺寸                       |       |               |               |
| - 利用魔鬼氈黏貼固定                 | mm    | 93 x 185      | 115 x 230     |
| - 利用緊固夾繃緊固定                 | mm    | 93 x 230      | 115 x 280     |
| 磨板尺寸                        | mm    | 92 x 182      | 114 x 226     |
| 重量符合 EPTA-Procedure 01:2014 | kg    | 2.5           | 2.8           |
| 絕緣等級                        |       | □/II          | □/II          |

本說明書提供的參數是以 230 伏特為依據，於低電壓地區，此數據有可能不同。

## 安裝

- ▶ **維修電動工具或換裝零、配件之前，務必從插座上拔出插頭。**

### 吸除廢塵 / 料屑

含鉛顏料、部分木材種類、礦石和金屬的加工廢塵有害健康。機器操作者或施工現場附近的人員如果接觸、吸入這些廢塵，可能會引發過敏反應或感染呼吸道疾病。

某些塵埃 (例如加工橡木或山毛櫸的廢塵) 可能致癌，特別是與處理木材的添加劑 (例如木材的防腐劑等) 結合之後。唯有受過專業訓練的人才能夠進行含石棉物料的加工。

- 儘可能使用適合物料的吸塵裝置。
- 工作場所要保持空氣流通。
- 建議佩戴 P2 過濾等級的口罩。

請留意並遵守貴國的物料加工相關法規。

- ▶ **避免讓工作場所堆積過多的塵垢。** 塵埃容易被點燃。

**機器本身的吸塵裝備，含集塵盒（請參考圖 I - M）**  
將集塵盒 (7) 推到排放接管 (22) 上。此時請旋轉集塵盒，讓集塵盒的凹陷處對準排放接管的突出尖端處，並確定集塵盒已正確卡牢。

因為採用的是透明容器，因此很容易掌握集塵盒 (7) 的裝填狀態。

若要清空集塵盒 (7)，請將它輕輕往後旋轉即可拔下。

旋開濾芯 (6)，然後將它從集塵盒 (7) 中卸下。清空集塵盒。

將濾芯 (6) 對著堅硬表面輕敲，讓塵垢震鬆。用柔軟的刷子清潔濾芯 (6) 上的濾網層。

**提示：**為確保最佳吸塵效果，請適時清空集塵盒 (7) 並定期清潔濾芯 (6)。

在垂直平面上操作電動工具時，必須以集塵盒 (7) 朝下的方式握持電動工具。

#### 外接的吸塵裝備（請參考圖 N）

將吸塵管 (23) 插到排放接管 (22) 上。連接吸塵管和排放接管時（參考圖），不可以堵住排放接管側面上的開孔。如果排放接管側面的開孔能夠保持暢通，可避免電動工具在研磨時緊緊地吸附於工件上，進而損壞工件表面。

將吸塵軟管 (23) 與吸塵器連接起來。本手冊的最後面另外刊錄了連接不同類型吸塵器的操作概覽。

根據工件材質選擇合適的吸塵裝置。

吸集可能危害健康、可能致癌或乾燥的廢塵時，務必使用特殊吸塵裝置。

在垂直平面上操作電動工具時，必須以吸塵管朝下的方式握持電動工具。

#### 更換研磨片

裝上新的研磨片之前，請用例如刷子清除磨板 (10) 上的髒污與粉塵。

**請注意：**為確保最佳吸塵效果，研磨片上的沖孔請對準磨板開孔位置。

#### 具有魔鬼氈設計的研磨片（請參考圖 E）

磨板 (10) 上有魔鬼氈設計，可以很便利地快速固定研磨片。

裝上研磨片 (14) 之前，請拍掉磨板 (10) 魔鬼氈上的粉塵，以確保最佳附著力。

放上研磨片 (14) 時，請將它與磨板 (10) 的其中一邊對齊，接著將它研磨片整片鋪到磨板上，並確實壓緊。

若要取下研磨片 (14)，請從尖端處將它從磨板 (10) 上拆下。

#### 無魔鬼氈設計的研磨片（請參考圖 A - B）

將夾緊桿 (9) 往下按壓。

扳開後方緊固夾 (8)，將研磨片 (14) 鋪到其底下，直至最裡面位置，然後放開夾緊桿 (9)。

打開夾緊桿 (11)。

將研磨片 (14) 包覆磨板並繃緊。扳開前方緊固夾 (12)，將另一頭的研磨片 (14) 鋪到其底下，接著讓夾緊桿 (11) 閉合即可將研磨片繃緊固定。

未打孔的研磨片（例如滾滾筒形式或摺捲形式販售之研磨片），只要用打孔器 (15) 先打好孔，即亦可在吸塵時使用。其做法是，直接將已裝上研磨片的電動工具按壓在打孔器上（詳見圖示 D）。

若欲取下研磨片 (14)，請打開夾緊桿 (11)，然後將夾緊桿 (9) 往下按壓。拉出研磨片。

#### 選用研磨片

本公司特別針對欲進行加工之各種材質以及所需之表面磨除效果，推出各式研磨片供您選購：

|                          |   | 粒度                 |
|--------------------------|---|--------------------|
| <b>red:Wood</b>          |   | 40-400             |
| <b>加工任一種木質材料</b>         |   |                    |
| 粗加工研磨，例如未刨平的粗糙木樑及木板      | 粗 | 40, 60             |
| 平面磨整以及整平凹凸不平處            | 中 | 80, 100, 120       |
| 在硬木上進行的最後一道研磨程序與精磨工作     | 細 | 180, 240, 320, 400 |
| <b>White:Paint</b>       |   | 40-320             |
| <b>加工顏料 / 漆料或底料、填隙料等</b> |   |                    |
| 磨除顏料層                    | 粗 | 40, 60             |
| 拋光底色                     | 中 | 80, 100, 120       |
| 磨平底料以方便上漆                | 細 | 180, 240, 320      |

**提示：**為避免研磨片撕破，僅可使用粒度 80 以上的研磨片。

#### 更換磨板（請參考圖 F）

您可視需要更換磨板 (10)。

將 6 顆螺栓 (16) 完全旋出，並取下磨板 (10)。裝上新的磨板 (10)，然後旋緊螺栓。

#### 特殊磨板

您可換下隨貨提供的磨板 (10)，改用以配件形式另外購買的特殊磨板。

特殊磨板的安裝方式與隨貨提供的磨板相同。

特殊研磨片的安裝和拆卸方式可以參照原廠隨附研磨片的更換方法。

#### 加長型四角薄磨板（請參考圖 G）

加長型四角薄磨板 (17) 是用來在難以觸及的位置上及狹窄間隙之間進行研磨，例如門窗上的通風葉片、溝槽，或是暖氣管與水管後方。

安裝加長型四角薄磨板 (17) 時，請使用相配的螺栓 (19)。

#### 加長型三角磨板（請參考圖 H）

加長型三角磨板 (21) 是用來在角落和邊緣處進行研磨。

#### 精磨磨板（無魔鬼氈設計）（請參考圖 A - B）

如果您大多數時候都是使用無魔鬼氈設計的基本型研磨片，本公司建議您使用無魔鬼氈設計的精磨磨



板。精磨磨板的表面平坦光滑，特別是在進行粗磨時能夠製造非常好的研磨效果。

### 輔助手柄

握住輔助手柄 (1) 可讓您操作機器時更加輕鬆，同時也是施工力道最均衡的作業方式（尤其是在研磨去除率較高時）。

利用螺栓 (2) 將輔助手柄 (1) 固定於機殼上。

## 操作

### 操作機器

▶ **請注意電源電壓！** 電源的電壓必須和電動工具銘牌上標示的電壓一致。標示為 230 V 的電動工具亦可接上 220 V 電源。

#### 啟動 / 關閉

▶ **請確定您不用放開把手，就能操作起停開關。**

若要**啟動**電動工具，請按下起停開關 (4) 並按住不放。

若要**固定**起停開關 (4) 的位置，請將它按住不放並同時按壓鎖止按鍵 (5)。

若要**關閉**電動工具，放開起停開關 (4) 即可。起停開關 (4) 的位置若是已被鎖定，請按一下該開關然後放開。

#### 設定振蕩次數

利用振蕩次數設定轉鈕 (3)，即使是在工具運作期間，亦可按照需求設定振蕩次數。

正確的振蕩次數是由加工材質和工作條件決定，唯有實際操作才能夠找出最合適的振蕩次數。

### 作業注意事項

▶ **維修電動工具或換裝零、配件之前，務必從插座上拔出插頭。**

▶ **等待電動工具完全靜止後才能夠放下機器。**

磨除功率和研磨的效果原則上是由所選擇的研磨片、設定的振蕩等級 和操作機器時施壓的大小來決定的。

只有完好的研磨片才能夠提高研磨效率，並且保護電動工具。

操作機器時要均力施壓，如此才能夠提高研磨片的使用壽命。

在機器上施力過度，不僅無法提高研磨效率，機器反而容易損壞並加速研磨片耗損。

不可以使用研磨過金屬的研磨片來研磨其它材質。僅可使用博世原廠研磨配件。

## 維修和服務

### 維修和清潔

▶ **維修電動工具或換裝零、配件之前，務必從插座上拔出插頭。**

▶ **電動工具和通風口都必須保持清潔，這樣才能夠提高工作品質和安全性。**

如果必須更換連接線，請務必交由博世或者經授權的博世電動工具顧客服務執行，以避免危害機器的安全性能。

### 顧客服務處和顧客諮詢中心

本公司顧客服務處負責回答有關本公司產品的維修、維護和備用零件的問題。如需分解圖和備件的資料，請至以下網頁：[www.bosch-pt.com](http://www.bosch-pt.com)  
若對本公司產品及其配件有任何疑問，博世應用諮詢小組很樂意為您提供協助。

工匠與 DIY 玩家網路平台入口：[www.powertool-portal.de](http://www.powertool-portal.de)

當您需要諮詢或訂購備用零件時，請務必提供本產品銘牌上的 10 位零件編號。

#### 台灣

台灣羅伯特博世股份有限公司

建國北路一段90 號6 樓

台北市10491

電話：(02) 2515 5388

傳真：(02) 2516 1176

[www.bosch-pt.com.tw](http://www.bosch-pt.com.tw)

#### 制造商地址：

Robert Bosch Power Tools GmbH

羅伯特· 博世電動工具有限公司

70538 Stuttgart / GERMANY

70538 斯圖加特 / 德國

### 廢棄物處理

必須以符合環保的方式，回收再利用損壞的機器、配件和廢棄的包裝材料。



不可以把電動工具丟入一般的家庭垃圾中。

## 한국어

### 안전 수칙

#### 전동공구 일반 안전 수칙

**⚠ 경고** 본 전동공구와 함께 제공된 모든 안전경고, 지시사항, 그림 및 사양을 숙지하십시오. 다음의 지시 사항을 준수하지 않으면 감전, 화재, 또는 심각한 부상을 초래할 수 있습니다.

**앞으로 참고할 수 있도록 이 안전수칙과 사용 설명서를 잘 보관하십시오.**

다음에서 사용되는 "전동공구"라는 개념은 전원에 연결하여 사용하는 (전선이 있는) 전동 기기나 배터리를 사용하는 (전선이 없는) 전동 기기를 의미합니다.

**작업장 안전**

- ▶ **작업장을 항상 깨끗이 하고 조명을 밝게 하십시오.** 작업장 환경이 어수선하거나 어두우면 사고를 초래할 수 있습니다.
- ▶ **가연성 유체, 가스 또는 분진이 있어 폭발 위험이 있는 환경에서 전동공구를 사용하지 마십시오.** 전동공구는 분진이나 증기에 점화하는 스파크를 일으킬 수 있습니다.
- ▶ **전동공구를 사용할 때 구경꾼이나 어린이 혹은 다른 사람이 작업장에 접근하지 못하게 하십시오.** 다른 사람이 주의를 산만하게 하면 기기에 대한 통제력을 잃기 쉽습니다.

**전기에 관한 안전**

- ▶ **전동공구의 전원 플러그가 전원 콘센트에 잘 맞아야 합니다.** 플러그를 절대 변경시켜서는 안 됩니다. (접지된) 전동공구를 사용할 때 어댑터 플러그를 사용하지 마십시오. 변형되지 않은 플러그와 잘 맞는 콘센트를 사용하면 감전의 위험을 줄일 수 있습니다.
- ▶ **파이프 관, 라디에이터, 레인지, 냉각고와 같은 접지 표면에 물이 닿지 않도록 하십시오.** 몸에 닿을 경우 감전될 위험이 높습니다.
- ▶ **전동공구를 비에 맞지 않게 하고 습기 있는 곳에 두지 마십시오.** 전동공구에 물이 들어가면 감전될 위험이 높습니다.
- ▶ **전원 코드를 잘못 사용하는 일이 없도록 하십시오.** 전원 코드를 잡고 전동공구를 운반해서는 안 되며, 콘센트에서 전원 플러그를 뽑을 때 전원 코드를 잡아당겨서는 절대로 안 됩니다. 전원 코드가 열과 오일에 접촉하는 것을 피하고, 날카로운 모서리나 기기의 가동 부위에 닿지 않도록 주의하십시오. 손상되거나 영킨 전원 코드는 감전을 유발할 수 있습니다.
- ▶ **실외에서 전동공구로 작업할 때는 실외용으로 적당히 연장 전원 코드만을 사용하십시오.** 실외용 연장 전원 코드를 사용하면 감전의 위험을 줄일 수 있습니다.
- ▶ **전동공구를 습기 찬 곳에서 사용해야 할 경우에는 누전 차단기를 사용하십시오.** 누전 차단기를 사용하면 감전 위험을 줄일 수 있습니다.

**사용자 안전**

- ▶ **신중하게 작업하며, 전동공구를 사용할 때 경솔하게 행동하지 마십시오.** 피로한 상태이거나 약물 복용 및 음주한 후에는 전동공구를 사용하지 마십시오. 전동공구를 사용할 때 잠이라도 주의가 산만해지면 중상을 입을 수 있습니다.
- ▶ **작업자 안전을 위한 장치를 사용하십시오. 항상 보안경을 착용하십시오.** 전동공구의 종류와 사용에 따라 먼지 보호 마스크, 미끄러지지 않는 안전화, 안전모 또는 귀마개 등의 안전한 복장을 하면 상해의 위험을 줄일 수 있습니다.
- ▶ **실수로 기기가 작동되지 않도록 주의하십시오.** 전동공구를 전원에 연결하거나 배터리를 끼우기 전에, 혹은 기기를 들거나 운반하기 전에, 전원 스위치가 꺼져 있는지 다시 확인하십시오. 전동공구를

운반할 때 전원 스위치에 손가락을 대거나 전원 스위치가 켜진 상태에서 전원을 연결하면 사고 위험이 높습니다.

- ▶ **전동공구를 사용하기 전에 조절하는 툴이나 키 등을 빼 놓으십시오.** 회전하는 부위에 있는 툴이나 키로 인해 상처를 입을 수 있습니다.
- ▶ **자신을 과신하지 마십시오. 불안정한 자세를 피하고 항상 평형을 이룬 상태로 작업하십시오.** 안정된 자세와 평형한 상태로 작업해야만이 의외의 상황에서도 전동공구를 안전하게 사용할 수 있습니다.
- ▶ **알맞은 작업복을 입으십시오. 헐렁한 복장을 하거나 장신구를 착용하지 마십시오.** 머리카락이 가동하는 기기 부위에 가까이 닿지 않도록 주의하십시오. 헐렁한 복장, 장신구 혹은 긴 머리는 가동 부위에 말려 사고를 초래할 수 있습니다.
- ▶ **분진 추출장치나 수거장치의 조립이 가능한 경우, 이 장치가 연결되어 있는지, 제대로 작동이 되는지 확인하십시오.** 이러한 분진 추출장치를 사용하면 분진으로 인한 사고 위험을 줄일 수 있습니다.
- ▶ **툴을 자주 사용한다고 해서 안주하는 일이 없게 하고 공구의 안전 수칙을 무시하지 않도록 하십시오.** 부주의하게 취급하여 순간적으로 심각한 부상을 입을 수 있습니다.

**전동공구의 올바른 사용과 취급**

- ▶ **기기를 과부하 상태에서 사용하지 마십시오.** 작업할 때 이에 적당한 전동공구를 사용하십시오. 알맞은 전동공구를 사용하면 지정된 성능 한도 내에서 더 효율적으로 안전하게 작업할 수 있습니다.
- ▶ **전원 스위치가 고장 난 전동공구를 사용하지 마십시오.** 전원 스위치가 작동되지 않는 전동공구는 위험하므로, 반드시 수리를 해야 합니다.
- ▶ **전동공구를 조정하거나 액세서리 부품 교환 혹은 공구를 보관할 때, 항상 전원 콘센트에서 플러그를 미리 빼어 놓거나 배터리를 분리하십시오.** 이러한 조치는 실수로 전동공구가 작동하게 되는 것을 예방합니다.
- ▶ **사용하지 않는 전동공구는 어린이 손이 닿지 않는 곳에 보관하고, 전동공구 사용에 익숙지 않거나 이 사용 설명서를 읽지 않은 사람은 기기를 사용해서는 안 됩니다.** 경험이 없는 사람이 전동공구를 사용하면 위험합니다.
- ▶ **전동공구 및 액세서리를 조심스럽게 관리하십시오.** 가동 부위가 하자 없이 정상적인 기능을 하는지, 걸리는 부위가 있는지, 혹은 전동공구의 기능에 중요한 부품이 손상되지 않았는지 확인하십시오. 손상된 기기의 부품은 전동공구를 다시 사용하기 전에 반드시 수리를 맡기십시오. 제대로 관리하지 않은 전동공구의 경우 많은 사고를 유발합니다.
- ▶ **절단 공구를 날카롭고 깨끗하게 관리하십시오.** 날카로운 절단면이 있고 잘 관리된 절단공구는 걸리는 경우가 드물고 조절하기도 쉽습니다.
- ▶ **전동공구, 액세서리, 장착하는 공구 등을 사용할 때, 이 지시 사항과 특별히 기종 별로 나와있는 사용 방법을 준수하십시오.** 이때 작업 조건과 실시하려는 작업 내용을 고려하십시오. 원래 사용 분야가 아

닌 다른 작업에 전동공구를 사용할 경우 위험한 상황을 초래할 수 있습니다.

- ▶ **손잡이 및 잡는 면을 건조하게 유지하고, 오일 및 그리스 가 묻어 있지 않도록 깨끗하게 하십시오.** 손잡이 또는 잡는 면이 미끄러우면 예상치 못한 상황에서 안전한 취급 및 제어가 어려워집니다.

**서비스**

- ▶ **전동공구 수리는 반드시 전문 인력에게 맡기고, 수리 정비 시 보쉬 순정 부품만을 사용하십시오.** 그렇게 함으로써 기기의 안전성을 오래 유지할 수 있습니다.

**그라인더 관련 안전 수칙**

- ▶ **전동 공구를 양손으로 꼭 잡고 안전한 자세로 작업 하십시오.** 전동공구를 양손으로 잡고 움직이면 더 안전합니다.
- ▶ **본 전동공구는 건식 작업에만 사용하십시오.** 전동 공구에 물이 들어가면 감전될 위험이 높습니다.
- ▶ **주의 화재위험! 가공물과 그라인더가 과열되지 않도록 하십시오.** 작업을 중단하기 전에 항상 먼지 용기를 비우십시오. 먼지백, 마이크로 필터, 종이백 (또는 필터 주머니 또는 집진기의 필터)에 있는 그라인딩 분진은 금속 그라인딩 작업 시 불꽃을 발생 시키거나 자체적으로 점화될 수 있습니다. 특히 그라인딩 분진이 페인트 잔여물, 폴리우레탄 잔여물 또는 기타 화학물질과 섞이고, 오랜 작업 후 가공물이 뜨거워진 상황에서는 훨씬 위험합니다.
- ▶ **전동공구의 통풍구를 정기적으로 깨끗이 닦으십시오.** 모터 팬이 하우징 안으로 분진을 끌어들이며, 금속 분진이 많이 쌓이면 전기적인 위험을 야기할 수 있습니다.
- ▶ **작업물을 잘 고정하십시오.** 고정장치나 기계 바이스에 끼워서 작업하면 손으로 잡는 것보다 더 안전합니다.
- ▶ **전동공구를 내려놓기 전에 기기가 완전히 멈추었는지 확인하십시오.**

**제품 및 성능 설명**



**모든 안전 수칙과 지침을 숙지하십시오.** 다음의 안전 수칙과 지침을 준수하지 않으면 화재 위험이 있으며 감전 혹은 중상을 입을 수 있습니다.

사용 설명서 앞 부분에 제시된 그림을 확인하십시오.

**제품의 주요 명칭**

제품의 주요 명칭에 표기되어 있는 번호는 기기 그림이 나와있는 면을 참고하십시오.

- (1) 보조 손잡이(절연된 손잡이면)<sup>A)</sup>
- (2) 보조 손잡이용 나사<sup>A)</sup>
- (3) 진동수 사전 선택 조정 휠
- (4) 전원스위치
- (5) 전원스위치 잠금 버튼
- (6) 필터부위(Microfilter System)
- (7) 분진박스 세트(Microfilter System)
- (8) 뒤쪽 고정장치 받침대
- (9) 클램핑 레버
- (10) 샌딩판
- (11) 클램핑 레버
- (12) 앞쪽 고정장치 받침대
- (13) 손잡이(절연된 손잡이 부위)
- (14) 샌딩 페이퍼<sup>A)</sup>
- (15) 구멍 펀칭기<sup>A)</sup>
- (16) 샌딩판용 나사
- (17) 얇은 샌딩판, 익스텐션<sup>A)</sup>
- (18) 샌딩 페이퍼, 익스텐션<sup>A)</sup>
- (19) 익스텐션 샌딩판용 나사<sup>A)</sup>
- (20) 샌딩 페이퍼, 삼각형<sup>A)</sup>
- (21) 삼각형 샌딩판, 익스텐션<sup>A)</sup>
- (22) 연결 부위
- (23) 흡입 호스<sup>A)</sup>

A) 도면이나 설명서에 나와있는 액세서리는 표준 공급부품에 속하지 않습니다. 전체 액세서리는 저희 액세서리 프로그램을 참고하십시오.

**제품 사양**

| 오비탈 샌더    |     | GSS 230 AVE   | GSS 280 AVE   |
|-----------|-----|---------------|---------------|
| 제품 번호     |     | 3 601 B92 8.. | 3 601 B92 9.. |
| 분진 박스 포함  |     | ●             | ●             |
| 진동수 선택    |     | ●             | ●             |
| 소비 전력     | W   | 300           | 350           |
| 무부하 속도    | rpm | 8000-11000    | 8000-11000    |
| 무부하 진동수   | rpm | 16000-22000   | 16000-22000   |
| 진동 직경     | mm  | 2.4           | 2.4           |
| 샌딩 페이퍼 크기 |     |               |               |
| - 접착 방식   | mm  | 93 x 185      | 115 x 230     |



| 오비탈 샌더                         |    | GSS 230 AVE | GSS 280 AVE |
|--------------------------------|----|-------------|-------------|
| - 클램핑                          | mm | 93 x 230    | 115 x 280   |
| 샌딩판 크기                         | mm | 92 x 182    | 114 x 226   |
| EPTA-Procedure 01:2014 에 따른 중량 | kg | 2.5         | 2.8         |
| 보호 등급                          |    | □/II        | □/II        |

자료는 정격 전압 [U] 230V를 기준으로 한 것입니다. 전압이 다른 경우 및 국가별 사양에 따라 변동이 있을 수 있습니다.

## 조립

- ▶ 전동공구를 보수 정비하기 전에 반드시 콘센트에서 전원 플러그를 빼십시오.

### 분진 및 톱밥 추출장치

납 성분을 포함한 페인트나 몇몇 나무 종류, 또는 광물 성분 그리고 철과 같은 재료의 분진은 건강을 해칠 수 있습니다. 이 분진을 만지거나 호흡할 경우, 사용자나 주변 사람들이 알레르기 반응이나 호흡기 장애를 일으킬 수 있습니다.

떡갈나무나 너도밤나무와 같은 특정한 분진은 암을 유발시키며, 특히 목재 처리용으로 사용되는 부가 원료(크로마트, 목재 보호제)와 혼합되면 암을 유발시키게 됩니다. 석면 성분을 포함한 재료는 전문가만 작업할 수 있습니다.

- 가능하면 작업을 소재에 적당한 분진 추출장치를 사용하십시오.
- 작업장의 통풍이 잘 되도록 하십시오.
- 필터등급 P2가 장착된 호흡 마스크를 사용하십시오.

작업용 재료에 관해 국가가 지정한 규정을 고려하십시오.

- ▶ 작업장에 분진이 쌓이지 않도록 하십시오. 분진이 쉽게 발화할 수 있습니다.

### 분진 박스를 통한 자체 분진 처리(그림 I-M 참조)

분진 박스 세트 (7) 를 연결 부위 (22) 쪽으로 미십시오. 장착 시 분진 박스의 파여진 부위와 연결 부위의 뾰족한 부위에 완전히 체결되어 분진 박스가 확실하게 걸릴 때까지 돌리십시오.

분진 박스 (7) 가 투명한 용기로 되어있어 분진의 수위 상태를 쉽게 확인할 수 있습니다.

분진 박스 (7) 를 비우려면 박스를 뒤쪽으로 약간 돌려 빼내십시오.

필터 (6) 의 나사를 풀어 분진 박스에서 (7) 필터를 빼내십시오. 분진 박스를 비워내십시오.

필터 (6) 를 단단한 바닥에 가볍게 두드려 분진을 털어 내십시오. 필터 (6) 의 걸면을 부드러운 솔로 깨끗이 닦으십시오.

**지침:** 효과적으로 분진을 제거하기 위해서는 분진 박스 (7) 를 적시에 비워주고 정기적으로 필터 (6) 를 깨끗이 청소해 주어야 합니다.

수직면에 작업할 때 분진 박스 (7) 가 아래로 향하도록 전동공구를 잡으십시오.

### 외부 분진 처리(그림 N 참조)

흡입 호스 (23) 를 연결 부위에 (22) 끼우십시오. 그림과 같이 연결 부위의 측면 구멍이 비워 있도록 흡입 호

스를 연결 부위 위로 밀어 끼우십시오. 이는 전동공구가 샌딩작업 중에 작업물에 빨려 들어가는 것과 작업물 표면 상태가 손상되는 것을 방지합니다.

흡입 호스 (23) 를 진공 청소기에 연결하십시오. 다양한 진공 청소기 연결에 관한 정보는 본 설명서의 마지막 부분에서 확인할 수 있습니다.

진공 청소기는 작업하는 소재에 적당한 것이어야 합니다.

특히 건강에 유해한 발암성 혹은 건조한 분진을 처리해야 할 경우에는 특수한 청소기를 사용해야 합니다. 수직면에 작업할 때 흡입 호스가 아래로 향하도록 전동공구를 잡으십시오.

### 샌딩 페이퍼 교환하기

새로운 샌딩 페이퍼를 끼우기 전에 브러시 등을 이용해 샌딩판 (10) 의 이물질 및 분진을 제거하십시오. 효과적으로 분진을 제거하기 위해서는 샌딩 페이퍼의 구멍과 샌딩판의 구멍이 일치해야 합니다.

### 접착식 샌딩 페이퍼(그림 E 참조)

샌딩판 (10) 의 표면은 벨크로 조직으로 되어있어 샌딩 페이퍼를 쉽고 간단히 고정할 수 있습니다.

최적으로 접착되도록 하려면 샌딩 페이퍼 (14) 를 끼우기 전에 샌딩판 (10) 의 벨크로 받침판을 살짝 두드려 찌꺼기 등을 제거하여 주십시오.

샌딩 페이퍼 (14) 를 샌딩판 (10) 한쪽 면의 가장자리에 맞춰 샌딩판 위에 놓은 후 잘 눌러 주십시오.

샌딩 페이퍼 (14) 를 분리하려면, 샌딩판 (10) 에서 페이퍼 한쪽 끝을 잡고 당겨 빼십시오.

### 비접착식 샌딩 페이퍼(그림 A-B 참조)

잠금 레버 (9) 를 아래쪽으로 미십시오.

샌딩판 (14) 을 열려 있는 뒤쪽 고정 장치 받침대 (8) 아래쪽으로 끝까지 끼운 후 클램핑 레버 (9) 에서 손을 떼십시오.

잠금 레버 (11) 를 푸십시오.

샌딩 페이퍼 (14) 를 팽팽한 상태로 샌딩판 주변에 놓으십시오. 샌딩 페이퍼 (14) 의 다른쪽 끝을 열려 있는 앞쪽 고정 장치 받침대 (12) 아래쪽으로 끼운 후 클램핑 레버 (11) 를 닫아 샌딩 페이퍼를 단단히 고정시키십시오.

말려 있는 제품 또는 미터로 파는 제품 등의 구멍이 없는 샌딩 페이퍼를 분진 흡입을 위해 구멍 펀칭기 (15) 를 사용하여 구멍을 뚫을 수 있습니다. 이를 위해 샌딩 페이퍼가 장착된 전동공구를 구멍 펀칭기 쪽으로 누르십시오(그림 D 참조).

샌딩 페이퍼 (14) 를 분리하려면 클램핑 레버 (11) 를 풀고 클램핑 레버 (9) 를 아래쪽으로 미십시오. 샌딩 페이퍼를 완전히 빼십시오.

**샌딩 페이퍼의 선택**

작업하려는 소재와 표면의 깎임 정도에 따라 다양한 샌딩 페이퍼가 있습니다:

|   |    | 입자 크기              |  |
|---|----|--------------------|--|
| <b>red:Wood</b>                         |    | 40-400             |  |
| <b>전체 목재 작업용</b>                        |    |                    |  |
| 거칠고 대패질하지 않은 각목이 나 판자에 초벌연마 작업할 때       | 기본 | 40, 60             |  |
| 작고 고르지 않은 부위에 매끄럽게 연마하거나 고르게 연마 작업할 때   | 중간 | 80, 100, 120       |  |
| 경질 목재에 최종 미세 연마 작업할 때                   | 미세 | 180, 240, 320, 400 |  |
| <b>white:Paint</b>                      |    | 40-320             |  |
| <b>페인트/에나멜 도장 표면, 초벌칠, 혼합재 등에 작업할 때</b> |    |                    |  |
| 페인트에 연마 작업할 때                           | 기본 | 40, 60             |  |
| 초벌칠에 초벌연마 작업할 때                         | 중간 | 80, 100, 120       |  |
| 도장하기 전에 초벌칠에 최종 연마 작업할 때                | 미세 | 180, 240, 320      |  |

**페인트/에나멜 도장 표면, 초벌칠, 혼합재 등에 작업할 때**

|                          |    |               |
|--------------------------|----|---------------|
| 페인트에 연마 작업할 때            | 기본 | 40, 60        |
| 초벌칠에 초벌연마 작업할 때          | 중간 | 80, 100, 120  |
| 도장하기 전에 초벌칠에 최종 연마 작업할 때 | 미세 | 180, 240, 320 |

**지침:** 샌딩 페이퍼가 찢어지지 않도록 입자 크기가 80 이상인 샌딩 페이퍼만 사용하십시오.

**샌딩판 교체하기(그림 F 참고)**

샌딩판 (10) 은 필요에 따라 교환이 가능합니다. 6개의 볼트 (16) 를 돌려 완전히 풀고 샌딩판 (10) 을 분리하십시오. 새로운 샌딩판 (10) 을 설치하고 나사를 다시 조이십시오.

**특수 샌딩판**

함께 공급된 샌딩판 (10) 은 액세서리로 제공되는 특수 샌딩판으로 교체 가능합니다.

특수 샌딩판의 조립 방법은 함께 공급되는 샌딩판을 교환하는 것과 같습니다.

각각의 샌딩 페이퍼를 끼우고 빼는 작업은 오리지널 샌딩 페이퍼를 교환하는 것과 같은 방법으로 하면 됩니다.

**익스텐션 샌딩판, 직사각형, 박판(그림 G 참조)**

사각형의 얇은 익스텐션 샌딩판 (17) 을 사용하면 접근하기 힘든 곳과 창문 틈 및 문틈 또는 뒤쪽 라디에이터 판 및 송수관 등의 좁은 틈에서 샌딩 작업할 수 있습니다.

사각형의 얇은 익스텐션 샌딩판 (17) 을 조립하려면 해당되는 나사 (19) 를 사용하십시오.

**익스텐션 샌딩판, 삼각형(그림 H 참조)**

삼각형의 익스텐션 샌딩판 (21) 을 사용하면 모서리 및 코너에서 샌딩 작업할 수 있습니다.

**미세 샌딩판(비접착식)(그림 A-B 참조)**

비접착식 일반 샌딩 페이퍼를 주로 사용하는 경우라면 비접착식 미세 샌딩판을 사용하는 것이 좋습니다.

평평한 샌딩판 표면으로 인해 특히 미세 연마 시 훌륭한 작업결과를 달성할 수 있습니다.

**보조 손잡이**

보조 손잡이 (1) 를 사용하면 기기의 취급이 수월하고 특히 샌딩 양이 많은 경우 힘이 풀고루 분산됩니다. 보조 손잡이 (1) 를 나사 (2) 를 사용하여 하우징에 고정합니다.

**작동****기계 시동**

▶ **전원의 전압에 유의하십시오! 공급되는 전원은 전압은 전동공구의 명판에 표기된 전압과 동일해야 합니다. 230 로 표시된 전동공구는 220 V에서도 작동이 가능합니다.**

**전원 스위치 작동**

▶ **손잡이에서 손을 떼지 않고 전원 스위치를 작동할 수 있는지 확인하십시오.**

전동공구를 **켜려면** 전원 스위치 (4) 를 누른 상태로 유지하십시오.

전원 스위치 (4) 를 누른 상태로 **고정하려면** 잠금 버튼 (5) 을 위로 누릅니다.

전동공구의 **전원을 끄려면** 전원 스위치 (4) 에서 손을 떼십시오. 전원 스위치 (4) 가 잠긴 상태에서는 먼저 전원 스위치를 눌렀다가 손을 떼십시오.

**진동수 선택하기**

기기가 작동 중에도 진동수 선택 섬뿔 (3) 로 필요한 진동수를 선택할 수 있습니다.

필요한 진동수는 작업하려는 소재와 작업 조건에 따라 달라지므로 직접 시험을 통해 결정할 수 있습니다.

**사용 방법**

▶ **전동공구를 보수 정비하기 전에 반드시 콘센트에서 전원 플러그를 빼십시오.**

▶ **전동공구를 내려놓기 전에 기기가 완전히 멈추었는지 확인하십시오.**

연마 작업의 성공 여부와 결과는 대체로 샌딩 페이퍼의 선택, 설정한 진동 단계 그리고 누르는 힘에 따라 좌우됩니다.

아무런 하자가 없는 샌딩 페이퍼를 사용해야 훌륭한 샌딩 작업 결과를 얻을 수 있고 전동공구를 보호할 수 있습니다.

일정한 압력으로 작업을 하면 샌딩 페이퍼의 수명을 연장할 수 있습니다.

지나치게 눌러 작업을 하면, 샌딩 효과가 좋아지는 것이 아니라 전동공구와 샌딩 페이퍼가 더 빨리 소모됩니다.

금속 소재에 사용했던 샌딩 페이퍼를 다른 소재에 사용해서는 안 됩니다.

보쉬 순정 샌딩 액세서리만 사용하십시오.

## 보수 정비 및 서비스

### 보수 정비 및 유지

- ▶ **전동공구를 보수 정비하기 전에 반드시 콘센트에서 전원 플러그를 빼십시오.**
- ▶ **안전하고 올바른 작동을 위하여 전동공구와 전동공구의 통풍구를 항상 깨끗이 하십시오.**

연결코드를 교환해야 할 경우 안전을 기하기 위해 보쉬사나 보쉬 지정 전동공구 서비스 센터에 맡겨야 합니다.

### AS 센터 및 사용 문의

AS 센터에서는 귀하 제품의 수리 및 보수정비, 그리고 부품에 관한 문의를 받고 있습니다. 대체 부품에 관한 분해 조립도 및 정보는 인터넷에서도 찾아 볼 수 있습니다 - [www.bosch-pt.com](http://www.bosch-pt.com)

보쉬 사용 문의 팀에서는 보쉬의 제품 및 해당 액세서리에 관한 질문에 기꺼이 답변 드릴 것입니다. 전문 작업자 및 개인 작업자를 위한 인터넷 포털 [www.powertool-portal.de](http://www.powertool-portal.de)도 참조할 수 있습니다.

문의나 대체 부품 주문 시에는 반드시 제품 네임 플레이트에 있는 10자리의 부품번호를 알려 주십시오.

콜센터  
080-955-0909

### 처리

기기와 액세서리 및 포장 등은 환경 친화적인 방법으로 재활용 할 수 있도록 분류하십시오.



전동공구를 가정용 쓰레기로 처리하지 마십시오!

## ไทย

### คำเตือนเพื่อความปลอดภัย

#### คำเตือนเพื่อความปลอดภัยทั่วไปสำหรับเครื่องมือไฟฟ้า

**คำเตือน** อ่านคำเตือนเพื่อความปลอดภัย คำแนะนำ ภาพประกอบ และข้อมูล

จำเพาะทั้งหมดที่จัดส่งมาพร้อมกับเครื่องมือไฟฟ้า การไม่ปฏิบัติตามคำแนะนำทั้งหมดที่ระบุไว้ด้านล่างนี้อาจทำให้เกิดไฟฟ้าดูด เกิดไฟไหม้ และ/หรือได้รับบาดเจ็บอย่างร้ายแรง

**เก็บรักษาคำเตือนและคำสั่งทั้งหมดสำหรับเปิดอ่านในภายหลัง**

คำว่า "เครื่องมือไฟฟ้า" ในคำเตือนหมายถึง เครื่องมือไฟฟ้าของท่านที่ทำงานด้วยพลังงานไฟฟ้าจากแหล่งจ่ายไฟหลัก (มีสายไฟฟ้า) และเครื่องมือไฟฟ้าที่ทำงานด้วยพลังงานไฟฟ้าจากแบตเตอรี่ (ไร้สาย)

#### ความปลอดภัยในสถานที่ทำงาน

- ▶ **รักษาสถานที่ทำงานให้สะอาดและมีไฟส่องสว่างดี** สถานที่ที่มีมืดหรือรกรุงรังนำมาซึ่งอุบัติเหตุ
- ▶ **อย่าใช้เครื่องมือไฟฟ้าทำงานในสภาพบรรยากาศที่จุดติดไฟได้** เช่น ในที่ที่มีของเหลวไวไฟ ก๊าซ หรือฝุ่น เมื่อใช้เครื่องมือไฟฟ้าจะเกิดประกายไฟซึ่งอาจจุดฝุ่นหรือไอให้ลุกเป็นไฟได้
- ▶ **ขณะใช้เครื่องมือไฟฟ้าทำงาน ต้องกั้นเด็กและผู้ยืนดูให้ออกห่าง** การหันเหความสนใจอาจทำให้ท่านขาดการควบคุมเครื่องได้

#### ความปลอดภัยเกี่ยวกับไฟฟ้า

- ▶ **ปลั๊กของเครื่องมือไฟฟ้าต้องเหมาะสมพอดีกับเต้าเสียบ** อย่าคิดแปลงปลั๊กไม่ว่าในลักษณะใดๆ อย่างเด็ดขาด อย่าใช้ปลั๊กพ่วงต่อใดๆ กับเครื่องมือไฟฟ้าที่มีสายดิน ปลั๊กที่ไม่ตัดแปลงและเต้าเสียบที่เข้ากันช่วยลดความเสี่ยงจากการถูกไฟฟ้าดูด
- ▶ **หลีกเลี่ยงอย่าให้ร่างกายสัมผัสกับพื้นผิวที่ต่อสายดินหรือลงกราวด์ไว** เช่น ท่อ เครื่องทำความร้อน เต้า และตู้เย็น จะเสี่ยงอันตรายจากการถูกไฟฟ้าดูดมากขึ้นหากกระแสไฟฟ้าวิ่งผ่านร่างกายของท่านลงดิน
- ▶ **อย่าให้เครื่องมือไฟฟ้าถูกฝนหรืออยู่ในสภาพเปียกชื้น** หากน้ำเข้าในเครื่องมือไฟฟ้า จะเพิ่มความเสี่ยงจากการถูกไฟฟ้าดูด
- ▶ **อย่าใช้สายไฟฟ้าในทางที่ผิด** อย่าใช้สายไฟฟ้าเพื่อยก ดึง หรือถอดปลั๊กเครื่องมือไฟฟ้า กั้นสายไฟฟ้าออกจากความร้อน น้ำมัน ขอบแหลมคม หรือชิ้นส่วนที่เคลื่อนที่ สายไฟฟ้าที่ชำรุดหรือพันกันยุ่งเพิ่มความเสียหายจากการถูกไฟฟ้าดูด
- ▶ **เมื่อใช้เครื่องมือไฟฟ้าทำงานกลางแจ้ง ให้ใช้สายไฟต่อที่เหมาะสมสำหรับการใช้งานกลางแจ้ง** การใช้สายไฟต่อที่เหมาะสมสำหรับงานกลางแจ้ง ช่วยลดอันตรายจากการถูกไฟฟ้าดูด
- ▶ **หากไม่สามารถหลีกเลี่ยงการใช้เครื่องมือไฟฟ้าทำงานในสถานที่เปียกชื้นได้ ให้ใช้สวิตช์ตัดวงจรเมื่อเกิดการรั่วไหลของไฟฟ้าจากสายดิน (RCD)** การใช้สวิตช์ตัดวงจรเมื่อเกิดการรั่วไหลของไฟฟ้าจากสายดินช่วยลดความเสี่ยงต่อการถูกไฟฟ้าดูด

#### ความปลอดภัยของบุคคล

- ▶ **ท่านต้องอยู่ในสภาพเตรียมพร้อม ระมัดระวังในสิ่งที่ท่านกำลังทำอยู่ และมีสติขณะใช้เครื่องมือไฟฟ้าทำงาน** อย่าใช้เครื่องมือไฟฟ้าขณะที่ท่านกำลังเหนื่อย หรืออยู่ภายใต้การครอบงำของฤทธิ์ของยาเสพติด แอลกอฮอล์ และยา เมื่อใช้เครื่องมือไฟฟ้าทำงานในช่วงเวลาที่ท่านขาดความเอาใจใส่อาจทำให้บุคคลบาดเจ็บอย่างรุนแรงได้
- ▶ **ใช้อุปกรณ์ปกป้องร่างกาย สวมแว่นตาป้องกันเสมอ** อุปกรณ์ปกป้อง เช่น หน้ากากกันฝุ่น รองเทากันลื่น หมวกแข็ง หรือประภทกันเสียงดังที่ใช่ตามความเหมาะสมกับสภาพการทำงาน จะลดการบาดเจ็บทางร่างกาย
- ▶ **ป้องกันการใช้เครื่องมือโดยไม่ตั้งใจ ตรวจสอบให้แน่ใจว่าสวิตช์อยู่ในตำแหน่งปิดก่อนเชื่อมต่อเข้ากับแหล่ง**

- จ่ายไฟ และ/หรือแบตเตอรี่แพ็ค ยกหรือถือเครื่องมือ การถือเครื่องโดยใช้นิ้วที่สวิตช์ หรือเสียบปลั๊กไฟพาขณะสวิตช์เปิดอยู่ อาจนำไปสู่อุบัติเหตุที่ร้ายแรงได้
- ▶ **นำเครื่องมือปรับแต่งหรือประแจปากตายออกก่อนเปิดสวิตช์เครื่องมือไฟฟ้า** เครื่องมือหรือประแจปากตายที่วางอยู่กับส่วนของเครื่องที่กำลังหมุนจะทำให้บุคคลบาดเจ็บได้
  - ▶ **อย่าเอื้อมไกลเกินไป** ตั้งทำยีนที่มั่นคงและวางน้ำหนักให้สมดุลตลอดเวลา ในลักษณะนี้ท่านสามารถควบคุมเครื่องมือไฟฟ้าในสถานการณ์ที่ไม่คาดคิดได้ดีกว่า
  - ▶ **แต่งกายอย่างเหมาะสม** อย่าใส่เสื้อผ้าหลวมหรือสวมเครื่องประดับ เหน็บผมและเสี้ยวออกจากชิ้นส่วนที่เคลื่อนที่ เสื้อผ้าหลวม เครื่องประดับ และผมยาวอาจเข้าไปติดในชิ้นส่วนที่เคลื่อนที่
  - ▶ **หากเครื่องมือไฟฟ้ามีข้อเชื่อมต่อกับเครื่องดูดฝุ่นหรือเครื่องเก็บผง** ให้ตรวจสอบให้แน่ใจว่าได้เชื่อมต่อและใช้งานอย่างถูกต้อง การไขอุปกรณ์ดูดฝุ่นช่วยลดอันตรายที่เกิดจากฝุ่นได้
  - ▶ **เมื่อใช้งานเครื่องบ่อยครั้งจะเกิดความคุ้นเคย** อย่าให้ความคุ้นเคยทำให้ท่านเกิดความชะล่าใจและละเลยกฎเกณฑ์ด้านความปลอดภัยในการใช้งานเครื่อง การทำงานอย่างไม่มีระดับระวังอาจทำให้เกิดการบาดเจ็บอย่างร้ายแรงภายในเสี้ยววินาที

#### การใช้และการดูแลรักษาเครื่องมือไฟฟ้า

- ▶ **อย่างสันกำลังเครื่องมือไฟฟ้า ใช้เครื่องมือไฟฟ้าที่ถูกตั้งตรงตามลักษณะงานของท่าน** เครื่องมือไฟฟ้าที่ถูกตั้งจะทำงานได้ดีกว่าและปลอดภัยกว่าในระดับสมรรถภาพที่ออกแบบไว้
- ▶ **อย่าใช้เครื่องมือไฟฟ้าถ้าสวิตช์ไม่สามารถเปิดปิดได้** เครื่องมือไฟฟ้าที่ไม่สามารถควบคุมการเปิดปิดด้วยสวิตช์ได้ เป็นเครื่องมือไฟฟ้าที่ไม่ปลอดภัยและต้องส่งซ่อมแซม
- ▶ **ก่อนปรับแต่งเครื่อง เปลี่ยนอุปกรณ์ประกอบ หรือเก็บเครื่องเข้าที่** ต้องถอดปลั๊กออกจากแหล่งจ่ายไฟ และ/หรือถอดแบตเตอรี่แพ็คออกจากเครื่องมือไฟฟ้าหากถอดออกได้
- ▶ **มาตรฐานป้องกันเพื่อความปลอดภัยนี้ช่วยลดความเสี่ยงจากการติดเครื่องโดยไม่ตั้งใจ**
- ▶ **เมื่อเลิกใช้งานเครื่องมือไฟฟ้า ให้เก็บเครื่องไว้ในที่ที่เด็กหยิบไม่ถึง และ** ให้อนุญาตให้บุคคลที่ไม่คุ้นเคยกับเครื่องหรือบุคคลที่ไม่ได้อ่านคำแนะนำนำเหล่านี้ใช้เครื่องมือไฟฟ้าเป็นของอันตรายหากตกอยู่ในมือของผู้ใช้ที่ไม่ได้รับการฝึกฝน
- ▶ **บำรุงรักษาเครื่องมือไฟฟ้าและอุปกรณ์ประกอบ** ตรวจสอบชิ้นส่วนที่เคลื่อนที่ว่ามีตรงแนวหรือติดขัดหรือไม่ ตรวจสอบการแตกหักของชิ้นส่วนและสภาพอื่นใดที่อาจมีผลต่อการทำงานของเครื่องมือไฟฟ้า หากชำรุดต้องส่งเครื่องมือไฟฟ้าไปซ่อมแซมก่อนใช้งาน อุปกรณ์เหล่านี้จะก่อให้เกิดขึ้นเนื่องจากดูแลรักษาเครื่องไม่ดีพอ
- ▶ **รักษาเครื่องมือตัดให้คมและสะอาด** หากบำรุงรักษาเครื่องมือที่มีขอบตัดแหลมคมอย่างถูกต้อง จะสามารถตัดได้ลื่นไม่ติดขัดและควบคุมได้ง่ายกว่า
- ▶ **ใช้เครื่องมือไฟฟ้า อุปกรณ์ประกอบ เครื่องมือ และอุปกรณ์อื่นๆ** ตรงตามคำแนะนำเหล่านี้ โดยคำนึงถึง

เงื่อนไขการทำงานและงานที่จะทำ การใช้เครื่องมือไฟฟ้าทำงานที่ต่างไปจากวัตถุประสงค์การใช้งานของเครื่อง อาจนำไปสู่สถานการณ์ที่เป็นอันตรายได้

- ▶ **ดูแลด้ามจับและพื้นผิวจับให้แห้ง สะอาด และปราศจากคราบน้ำมันและจาระบี** ตามจับและพื้นผิวจับที่ลื่นทำให้หยิบจับได้ไม่ปลอดภัย และไม่สามารถควบคุมเครื่องมือในสถานการณ์ที่ไม่คาดคิด

#### การบริการ

- ▶ **ส่งเครื่องมือไฟฟ้าของท่านเข้ารับบริการจากช่างซ่อมที่มีคุณสมบัติเหมาะสม โดยใช้ช่องไหลที่เหมือนกันเท่านั้น** ในลักษณะนี้ท่านจะแน่ใจได้ว่าเครื่องมือไฟฟ้าอยู่ในสภาพที่ปลอดภัย

#### คำเตือนเพื่อความปลอดภัยสำหรับเครื่องขัด

- ▶ **จับเครื่องมือไฟฟ้าให้แน่นด้วยมือทั้งสองข้างและตั้งทำยีนให้มั่นคงขณะทำงาน** ท่านจะสามารถนำทางเครื่องมือไฟฟ้าได้ปลอดภัยกว่าเมื่อจับเครื่องด้วยมือทั้งสองข้าง
- ▶ **ใช้เครื่องมือไฟฟ้าสำหรับการขัดเท่านั้น** หากนำเข้าไปในเครื่องมือไฟฟ้า จะเพิ่มความเสี่ยงต่อการลื่นหลุด
- ▶ **ระวังอันตรายจากไฟไหม้!** หลีกเลี่ยงการทำให้วัสดุชิ้นงานและเครื่องขัดร้อนเกินไป ปล่อยผงออกจากกล่องเก็บผงก่อนพักงานทุกครั้ง ในสถานการณ์ที่ไม่เหมาะสม ต. ย. เช่น เมื่อเกิดประกายไฟขณะขัดโลหะ เศษผงที่ได้ออกจากการขัดที่อยู่ในถุงเก็บผง เครื่องกรองไมโคร หรือถุงกระดาษ (หรือในถุงกรอง หรือตัวกรองของเครื่องดูดฝุ่น) อาจจุดลุกเป็นไฟขึ้นเองได้ จะเป็นอันตรายอย่างยิ่งเมื่อเมื่อเศษผงผสมปนกับเศษสารเคลือบเงา เศษโพลีเอทิลีนหรือเศษวัสดุเคมีอื่นๆ และเมื่อเศษผงขัดเกิดการร้อนขึ้นหลังจากใช้เครื่องทำงานเป็นเวลานาน
- ▶ **ทำความสะอาดช่องระบายอากาศของเครื่องมือไฟฟ้าอย่างสม่ำเสมอ** ฟิล์มของมอเตอร์จะดูดผงฝุ่นเข้าในหม้อครอบ และผงโลหะที่พอกสะสมกันมากๆ อาจทำให้เกิดอันตรายจากไฟฟ้าได้
- ▶ **ยึดชิ้นงานให้แน่น** การยึดชิ้นงานด้วยเครื่องมือหนีบหรือแท่นจับจะมั่นคงกว่าการยึดด้วยมือ
- ▶ **รอให้เครื่องมือไฟฟ้าหยุดนิ่งอยู่กับที่ทุกครั้ง** ก่อนวางเครื่องลงบนพื้น

#### รายละเอียดผลิตภัณฑ์และข้อมูล

##### จำเพาะ



**อ่านคำเตือนเพื่อความปลอดภัยและคำแนะนำทั้งหมด** การไม่ปฏิบัติตามคำเตือนและคำสั่งอาจเป็นสาเหตุใหญ่ถูกไฟฟ้ดูด เกิดไฟไหม้และ/หรือได้รับบาดเจ็บอย่างร้ายแรง

กรุณาดูภาพประกอบในส่วนหน้าของคู่มือการใช้งาน

##### ส่วนประกอบที่แสดงภาพ

ลำดับเลขของส่วนประกอบผลิตภัณฑ์อ้างอิงส่วนประกอบของเครื่องที่แสดงในหน้าภาพประกอบ

- (1) ด้ามจับเพิ่ม (พื้นผิวจับหมุนวน)<sup>A)</sup>
- (2) สกรูสำหรับด้ามจับเพิ่ม<sup>A)</sup>
- (3) สวิตช์ตั้งอัตราแกว่งสั้นสะเทือนล่วงหน้า

- (4) สวิตช์เปิด-ปิด
- (5) ปุ่มล๊อคให้สวิตช์เปิด-ปิดทำงาน
- (6) ตัวกรอง (Microfilter System)
- (7) ถังเก็บผง สมบูรณ์แบบ (Microfilter System)
- (8) ก้านหนีบท้าย
- (9) คันหนีบ
- (10) แผ่นฐานขัด
- (11) คันหนีบ
- (12) ก้านหนีบนหน้า
- (13) ด้ามจับ (พื้นผิวจับหุ้มฉนวน)
- (14) กระดาษทราย<sup>A)</sup>

- (15) เครื่องมือเจาะรู<sup>A)</sup>
- (16) สกรูสำหรับแผ่นฐานขัด
- (17) แผ่นฐานขัด ชนิดบาง แบบต่อขยาย<sup>A)</sup>
- (18) กระดาษทราย แบบต่อขยาย<sup>A)</sup>
- (19) สกรูสำหรับแผ่นฐานขัดแบบต่อขยาย<sup>A)</sup>
- (20) กระดาษทราย รูปสามเหลี่ยม<sup>A)</sup>
- (21) แผ่นฐานขัด รูปสามเหลี่ยม แบบต่อขยาย<sup>A)</sup>
- (22) ทอระบายออก
- (23) ทอดูดฝุ่น<sup>A)</sup>

A) อุปกรณ์ประกอบที่แสดงภาพหรืออธิบายไม่รวมอยู่ในการจัดส่งมาตรฐาน กฎหมายอุปกรณ์ประกอบทั้งหมดในรายการแสดงอุปกรณ์ประกอบของเรา

## ข้อมูลทางเทคนิค

| เครื่องขัดเส้นสะเทือน                       |          | GSS 230 AVE   | GSS 280 AVE   |
|---|----------|---------------|---------------|
| หมายเลขสินค้า                               |          | 3 601 B92 8.. | 3 601 B92 9.. |
| กล่องเก็บผงรวมอยู่ในการจัดส่ง               |          | ●             | ●             |
| การตั้งอัตราแกว่งเส้นสะเทือนล่วงหน้า        |          | ●             | ●             |
| กำลังไฟฟ้าเข้ากำหนด                         | วัตต์    | 300           | 350           |
| ความเร็วรอบเดินตัวเปล่า                     | รอบ/นาที | 8000-11000    | 8000-11000    |
| อัตราแกว่งเส้นสะเทือนเดินตัวเปล่า           | รอบ/นาที | 16000-22000   | 16000-22000   |
| ระยะเหวี่ยง                                 | มม.      | 2.4           | 2.4           |
| ขนาดกระดาษทราย                              |          |               |               |
| - ติดด้วยตีนตุ๊กแก                          | มม.      | 93 x 185      | 115 x 230     |
| - ติดด้วยการหนีบ                            | มม.      | 93 x 230      | 115 x 280     |
| ขนาดแผ่นฐานขัด                              | มม.      | 92 x 182      | 114 x 226     |
| น้ำหนักตามระเบียบการ-EPTA-Procedure 01:2014 | กก.      | 2.5           | 2.8           |
| ระดับความปลอดภัย                            |          | □ / II        | □ / II        |

ค่าที่ให้นำมาใช้ได้กับแรงดันไฟฟ้าอันนิโวล [U] 230 โวลต์ค่าเหล่านี้อาจเปลี่ยนแปลงไปสำหรับแรงดันไฟฟ้าที่แตกต่างกันและโมเดลที่ผลิตสำหรับเฉพาะประเทศ

## การติดตั้ง

### ▶ ดึงปลั๊กไฟออกจากเต้าเสียบก่อนปรับแต่งเครื่อง

### การดูดฝุ่น/ซีลื้อย

- ฝุ่นที่ได้จากวัสดุ เช่น เคลือบผิวที่มีสารตะกั่ว ไม้บางประเภท แร่ธาตุ และโลหะ อาจเป็นอันตรายต่อสุขภาพ การสัมผัสหรือการหายใจเอาฝุ่นเข้าไปอาจทำให้เกิดปฏิกิริยาแพ้ฝุ่น และ/หรือนำมาซึ่งโรคติดเชื้อระบบหายใจแก่ผู้ใช้เครื่องหรือผู้ที่ยืนอยู่ใกล้เคียง
- ฝุ่นบางประเภท เช่น ฝุ่นไม้โอ๊ก หรือไม้บีช นับเป็นสารที่ทำให้เกิดมะเร็ง โดยเฉพาะอย่างยิ่งเมื่อผสมกับสารเติมแต่งเพื่อบำบัดไม้ (โครเมียม ฟอสฟอรัสหรือซิลิกอน) สำหรับวัสดุที่มีแอสเบสทอสตองใหญ่เชี่ยวชาญทำงานเท่านั้น
- ใช้ระบบดูดฝุ่นออกที่เหมาะสมกับประเภทวัสดุ มากเท่าที่จะทำได้
  - จัดสถานที่ทำงานให้มีการระบายอากาศที่ดี
  - ขอแนะนำให้สวมหน้ากากป้องกันกาติดตั้งที่มีระดับ-ไลกรอง P2

ปฏิบัติตามกฎข้อบังคับสำคัญอื่นๆ ที่เกี่ยวกับวัสดุชิ้นงานที่บังคับใช้ในประเทศของท่าน

### ▶ ป้องกันการสะสมของฝุ่นในสถานที่ทำงาน

ฝุ่นสามารถถูกไหม้อย่างง่ายดาย

### การดูดฝุ่นในตัวพร้อมกล่องเก็บผง (ดูภาพประกอบ I-M)

ติดตั้งกล่องเก็บผง (7) เข้าบนทอระบายออก (22) ทุมนกล่องเก็บผงในลักษณะให้ช่องเว้าหันเข้าหาส่วนปลายนทอระบายออกและกล่องเก็บผงสามารถขบเขาล็อคได้

ท่านสามารถตรวจสอบระดับเต็มผงของกล่องเก็บผง (7) ผ่านภาพระบุบรรจุนิตไปร่องใส่ได้อย่างง่ายดาย

เมื่อต้องการถ่ายผงออกจากกล่องเก็บผง (7) ให้ดึงกล่องออกไปทางด้านหลังโดยบิดเล็กน้อย

ขันตัวกรอง (6) ออก และดึงตัวกรองออกจากกล่องเก็บผง

(7) ถ่ายผงออกจากกล่องเก็บผง

เมื่อต้องการคลายผงออก ให้ตีหรือเคาะตัวกรอง (6) เบาๆ บนพื้นผิวแข็งๆ ไขแปรงขนอนทำความสะอาดครึ่งของตัวกรอง (6)



**หมายเหตุ:** เพื่อการดูดฝุ่นออกอย่างมีประสิทธิภาพ ต้องถ่ายผงออกจากกล่องเก็บผง (7) ไท่ทันทีที่ และทำความสะอาดตัวกรอง (6) ตามช่วงเวลาเป็นประจำ

เมื่อทำงานบนพื้นผิวตามแนวตั้ง ต้องจับเครื่องมือไฟฟ้าในลักษณะที่กล่องเก็บผง (7) หันลงข้างล่าง

#### การดูดฝุ่นด้วยเครื่องดูดฝุ่นภายนอก (รูปภาพประกอบ N)

ติดตั้งท่อดูดฝุ่น (23) เข้าบนท่อระบายออก (22) ติดตั้งท่อดูดฝุ่นเข้าบนท่อระบายออก (ดังแสดงในภาพประกอบ) ในลักษณะให้ช่องด้านข้างบนท่อระบายออกเปิดวางอยู่ในลักษณะนี้จะช่วยป้องกันเครื่องมือไฟฟ้าไม่ให้ติดอยู่กับชิ้นงานขณะขัด และคุณภาพพื้นผิวของชิ้นงานจะไม่ลดลง

ต่อท่อดูดฝุ่น (23) เข้ากับเครื่องดูดฝุ่น กรุณาคุณภาพรวมการเชื่อมต่อกับเครื่องดูดฝุ่นต่างๆ ในตอนท้ายของคู่มือการใช้งาน เครื่องดูดฝุ่นต้องมีลักษณะการใช้งานที่เหมาะสมกับประเภทวัสดุชิ้นงาน

ในกรณีดูดฝุ่นแห้งที่เป็นอันตรายต่อสุขภาพอย่างยิ่งหรืออาจก่อให้เกิดมะเร็งได้ ให้ใช้เครื่องดูดฝุ่นพิเศษ เมื่อทำงานบนพื้นผิวตามแนวตั้ง ต้องจับเครื่องมือไฟฟ้าในลักษณะให้ท่อดูดฝุ่นหันลงข้างล่าง

#### การเปลี่ยนกระดาษทราย

ก่อนใส่กระดาษทรายแผ่นใหม่ ให้เอาสิ่งสกปรกและฝุ่นออกจากแผ่นฐาน (10) ต. ย. เช่น โดยใช้แปรงขัด เพื่อดูดฝุ่นออกให้ได้ดีที่สุด ต้องเอาใจใส่ดูให้รูจะในกระดาษทรายตรงกับรูในแผ่นฐานขัด

#### กระดาษทรายที่มีตีนตุ๊กแก (รูปภาพประกอบ E)

แผ่นฐานขัด (10) มีตีนตุ๊กแกเสริมอยู่ ทั้งนี้เพื่อให้ติดกระดาษทรายที่มีตีนตุ๊กแกได้สะดวกและรวดเร็ว

เกาะตีนตุ๊กแกของแผ่นฐานขัด (10) ก่อนติดกระดาษทราย (14) เพื่อให้ยึดเกาะได้ดีที่สุด

ทาบกระดาษทราย (14) ให้เสมอกับขอบด้านหนึ่งของแผ่นฐานขัด (10) จากนั้นจึงปูกกระดาษทรายไปบนแผ่นฐานขัดและกดให้แน่น

เมื่อต้องการถอดกระดาษทราย (14) ออก ให้จับตรงปลายด้านใดด้านหนึ่งของกระดาษทรายและดึงกระดาษทรายออกจากแผ่นฐานขัด (10)

#### กระดาษทรายที่ไม่มีตีนตุ๊กแก (รูปภาพประกอบ A-B)

กดคันทึบ (9) ลงด้านล่าง

สอดกระดาษทราย (14) เข้าใต้คันทึบท้าย (8) ที่เปิดอยู่จุดสุดท้าย แล้วจึงปล่อยนิ้วจากคันทึบ (9)

เปิดคันทึบ (11)

ทาบกระดาษทราย (14) ให้ตั้งบนแผ่นฐานขัด สอดปลายอีกด้านหนึ่งของกระดาษทราย (14) เข้าใต้คันทึบหน้า (12) ที่เปิดอยู่ และหนีบกระดาษทรายโดยยึดคันทึบ (11) ให้แน่น

ท่านสามารถนำกระดาษทรายที่ไม่มีรู ต. ย. เช่น กระดาษทรายที่จำหน่ายเป็นม้วนหรือเป็นเมตรมาเจาะรูด้วยเครื่องมือเจาะรู (15) เพื่อดูดฝุ่นออกสำหรับการเจาะรู ให้จับเครื่องมือไฟฟ้าที่ประกอบกระดาษทรายแล้วกดลงบนเครื่องมือเจาะรู (รูปภาพประกอบ D)

เมื่อต้องการถอดกระดาษทราย (14) ออก ให้เปิดคันทึบ (11) และดันคันทึบ (9) ลงด้านล่าง ดึงกระดาษทรายออก

#### การเลือกกระดาษทราย

ท่านสามารถเลือกใช้กระดาษทรายชนิดต่างๆ กัน ตามประเภทวัสดุชิ้นงาน และตามความหนาบางของพื้นผิวที่ต้องการขัดออก:

#### ขนาดเม็ดทราย

### red:Wood

40-400

#### สำหรับขัดวัสดุที่ทำจากไม้ทั้งหมด

สำหรับขัดหยาบ ต. ย. เช่น ไม้คาน หยาบ และแผ่นกระดานที่ขรุขระ ไม่ราบเรียบ

สำหรับขัดแต่งพื้นหน้าและปรับผิว ปาน ขรุขระเล็กน้อยให้เรียบ

สำหรับขัดสำเร็จและขัดละเอียดไม้ ละเอียด เนื้อแข็ง

### White:Paint

40-320

#### สำหรับขัดสี/ผิวเคลือบเงา หรือวัสดุรองพื้น และวัสดุอุด

สำหรับขัดสีออก หยาบ

สำหรับขัดสีรองพื้น ปาน กลาง

สำหรับขัดสีรองพื้นชั้นสุดท้ายก่อนเคลือบเงา ละเอียด

**หมายเหตุ:** เพื่อหลีกเลี่ยงการฉีกขาดของกระดาษทราย ให้ใช้เฉพาะกระดาษทรายที่มีเม็ดทรายขนาด 80 หรือมากกว่าเท่านั้น

#### การเปลี่ยนแผ่นฐาน (รูปภาพประกอบ F)

ท่านสามารถเปลี่ยนแผ่นฐาน (10) ได้ หากจำเป็น ถอดสกรู 6 ตัว (16) ออกทั้งหมดและเอาแผ่นฐานขัด (10) ออกใส่แผ่นฐานขัดแผ่นใหม่ (10) และขันสกรูกลับเข้าที่ใหม่

#### แผ่นฐานขัดชนิดพิเศษ

ท่านสามารถเปลี่ยนแผ่นฐานขัดที่จัดส่งมา (10) ออก และนำแผ่นฐานขัดชนิดพิเศษมาใช้แทน ซึ่งเป็นอุปกรณ์ประกอบที่หาซื้อได้

ติดตั้งแผ่นฐานขัดชนิดพิเศษในลักษณะเดียวกับแผ่นฐานขัดที่จัดส่งมา

ใส่และถอดกระดาษทรายที่ใช้ในลักษณะเดียวกับการเปลี่ยนกระดาษทรายแบบเดิม

#### แผ่นฐานขัดแบบต่อขยาย รูปลีเหลี่ยมผืนผ้า ชนิดบาง (รูปภาพประกอบ G)

การใช้แผ่นฐานขัดแบบต่อขยายรูปลีเหลี่ยมผืนผ้าชนิดบาง (17) ทำให้สามารถขัดตรงตำแหน่งที่เข้าถึงยากและช่องแคบๆ ได้ ต. ย. เช่น บนขั้วประตูดและหน้าต่าง ร่องต่างๆ หรือบริเวณด้านหลังเครื่องทำความร้อนหรือท่อ

ติดตั้งแผ่นฐานขัดแบบต่อขยายรูปลีเหลี่ยมผืนผ้าชนิดบาง (17) เข้าด้วยสกรูที่เขาสุดกัน (19)

### แผ่นฐานขัดแบบต่อขยาย รูปสามเหลี่ยม (ดูภาพประกอบ H)

การใช้แผ่นฐานขัดแบบต่อขยายรูปสามเหลี่ยม (21) ทำให้สามารถขัดในซอกมุมและขัดขอบได้

### แผ่นฐานขัดสำเร็จ (ไม่มีตีนตุ๊กแก) (ดูภาพประกอบ A–B)

หากใช้กระดาษทรายมาตรฐานที่ไม่มีตีนตุ๊กแกทำงานเป็นส่วนใหญ่ ขอแนะนำให้ใช้แผ่นฐานขัดสำเร็จที่ไม่มีตีนตุ๊กแก เนื่องจากแผ่นฐานขัดมีพื้นผิวขัดที่ราบแบน จึงให้ผลการขัดที่ดีที่สุด โดยเฉพาะอย่างยิ่งเมื่อขัดสำเร็จ

### ด้ามจับเพิ่ม

ด้ามจับเพิ่ม (1) ทำให้จับเครื่องได้สะดวกและกระจายกำลังได้ดีที่สุด โดยเฉพาะอย่างยิ่งเมื่อต้องการขัดออกมาก  
ยึดด้ามจับเพิ่ม (1) เข้ากับครอบเครื่องด้วยสลกรู (2)

## การปฏิบัติงาน

### การเริ่มต้นปฏิบัติงาน

- ▶ **ให้สังเกตแรงดันไฟฟ้า! แรงดันไฟฟ้าจากแหล่งจ่ายไฟฟ้าต้องมีค่าตรงกับค่าแรงดันไฟฟ้าที่ระบุไว้บนแผ่นป้ายที่ติดเครื่อง เครื่องมือไฟฟ้าที่มีเครื่องหมาย 230 โวลท์ สามารถใช้งานได้กับ 220 โวลท์ ได้ด้วย**

### การเปิด-ปิดเครื่อง

- ▶ **ตรวจสอบให้แน่ใจว่าท่านสามารถใช้งานสวิตช์เปิด-ปิดได้โดยไม่ต้องปล่อยตามจับ**

**เปิดสวิตช์** เครื่องมือไฟฟ้าโดยกดสวิตช์เปิด-ปิด (4) และกดค้างไว้

**ล็อคสวิตช์เปิด-ปิด (4)** โดยกดสวิตช์เปิด-ปิดค้างไว้ และกดปุ่มล็อคสวิตช์เปิด-ปิด (5) เพิ่ม

**ปิดสวิตช์** เครื่องมือไฟฟ้าโดยปล่อยนิ้วจากสวิตช์เปิด-ปิด (4) ในกรณีที่สวิตช์เปิด-ปิด (4) ถูกล็อคอยู่ ให้กดสวิตช์เปิด-ปิดก่อนและปล่อยนิ้ว

### การตั้งอัตราแกว้างสันสะท้อนล่วงหน้า

ท่านสามารถเลือกอัตราแกว้างสันสะท้อนที่ต้องการไว้ล่วงหน้าได้ด้วยสวิตช์ตั้งอัตราแกว้างสันสะท้อนล่วงหน้า (3) ปรับตั้งได้แม้ขณะเครื่องกำลังทำงานอยู่

อัตราแกว้างสันสะท้อนที่ต้องการขึ้นอยู่กับประเภทวัสดุชิ้นงานและเงื่อนไขการทำงาน และสามารถกำหนดได้จากการทำงานทดลองฝึกปฏิบัติ

### ข้อแนะนำในการทำงาน

- ▶ **ดึงปลั๊กไฟออกจากเต้าเสียบก่อนปรับแต่งเครื่อง**
- ▶ **รอให้เครื่องมือไฟฟ้าหยุดนิ่งอยู่กับที่ทุกครั้งก่อนวางเครื่องลงบนพื้น**

ชนิดของกระดาษทรายที่เลือกใช้ ระดับแกว้างสันสะท้อนที่ตั้งไว้ล่วงหน้า และแรงกดการขัด คือปัจจัยหลักที่กำหนดความสามารถในการขัดออกและรูปแบบการขัด  
กระดาษทรายสภาพดีเท่านั้นที่จะขัดได้ดีมีประสิทธิภาพและช่วยยืดอายุการใช้งานของเครื่องมือไฟฟ้า  
เอาใจใส่กับเครื่องลงบนชิ้นงานด้วยแรงกดที่ราบเรียบเสมอกันเพื่อยืดอายุการใช้งานของกระดาษทราย

การใช้แรงกดลงมากเกินไปไม่ช่วยเพิ่มประสิทธิภาพการขัด แต่จะทำให้เครื่องมือไฟฟ้าและกระดาษทรายสึกหรอมากขึ้น  
กระดาษทรายที่ขัดโลหะไปแล้ว ไม่ควรนำมาขัดวัสดุประเภทอื่น  
ใช้เฉพาะอุปกรณ์ขัดของแท้ของ บอช เท่านั้น

## การบำรุงรักษาและการบริการ

### การบำรุงรักษาและการทำความสะอาด

- ▶ **ดึงปลั๊กไฟออกจากเต้าเสียบก่อนปรับแต่งเครื่อง**
- ▶ **เพื่อให้ทำงานได้อย่างถูกต้องและปลอดภัย ต้องรักษาเครื่องและช่องระบายอากาศให้สะอาดอยู่เสมอ**

เมื่อจำเป็นต้องเปลี่ยนสายไฟฟ้า ให้ส่งเครื่องให้บริษัท บอช หรือศูนย์บริการลูกค้าสำหรับเครื่องมือไฟฟ้า บอช ที่ได้รับมอบหมายทำการเปลี่ยนไฟ เพื่อหลีกเลี่ยงอันตรายด้านความปลอดภัย

### การบริการหลังการขายและการให้คำปรึกษาการใช้งาน

ศูนย์บริการหลังการขายของเรายินดีตอบคำถามของท่านที่เกี่ยวกับการบำรุงรักษาและการซ่อมแซมผลิตภัณฑ์รวมทั้งเรื่องอะไหล่ ภาพแยกชิ้นและข้อมูลเกี่ยวกับอะไหล่ยังสามารถดูได้ที่: [www.bosch-pt.com](http://www.bosch-pt.com)

ทีมงานที่ปรึกษาของ บอช ยินดีให้ข้อมูลเกี่ยวกับผลิตภัณฑ์ของเราและอุปกรณ์ประกอบต่างๆ  
[www.powertool-portal.de](http://www.powertool-portal.de) เว็บไซต์สำหรับช่างฝีมือและช่างสมัครเล่น

เมื่อต้องการสอบถามและสั่งซื้ออะไหล่ กรุณาแจ้งหมายเลขสินค้า 10 หลักบนแผ่นป้ายรุ่นของผลิตภัณฑ์ทุกครั้ง

### ไทย

ไทย บริษัท โรเบิร์ต บอช จำกัด  
เอฟวายไอ เซ็นเตอร์ อาคาร 1 ชั้น 5  
เลขที่ 2525 ถนนพระราม 4  
แขวงคลองเตย เขตคลองเตย  
กรุงเทพฯ 10110  
โทร: +66 2012 8888  
แฟกซ์: +66 2064 5800  
[www.bosch.co.th](http://www.bosch.co.th)

ศูนย์บริการซ่อมและฝึกอบรม บอช  
อาคาร ลานศาลทาวเวอร์ ชั้น G ห้องเลขที่ 2  
บ้านเลขที่ 10/1/1 หมู่ 16  
ถนนศรีนครินทร์  
ตำบลบางแก้ว อำเภอบางพลี  
จังหวัดสมุทรปราการ 10540  
ประเทศไทย  
โทรศัพท์ 02 7587555  
โทรสาร 02 7587525

### การกำจัดขยะ

เครื่องมือไฟฟ้า อุปกรณ์ประกอบ และหีบห่อ ต้องนำไปแยกประเภทวัสดุเพื่อการรีไซเคิลที่เป็นมิตรต่อสิ่งแวดล้อม



อย่าทิ้งเครื่องมือไฟฟ้าลงในขยะครัวเรือน!



## Bahasa Indonesia

### Petunjuk Keselamatan

#### Petunjuk keselamatan umum untuk perkakas listrik

##### **⚠ PERINGATAN** Baca semua peringatan, petunjuk, ilustrasi, dan spesifikasi

keselamatan yang diberikan bersama perkakas listrik ini. Kesalahan dalam menjalankan petunjuk di bawah ini dapat mengakibatkan sengatan listrik, kebakaran, dan/atau cedera serius.

##### **Simpanlah semua peringatan dan petunjuk untuk penggunaan di masa mendatang.**

Istilah "perkakas listrik" dalam peringatan mengacu pada perkakas listrik yang dioperasikan dengan listrik (menggunakan kabel) atau perkakas listrik yang dioperasikan dengan baterai (tanpa kabel).

#### Keamanan tempat kerja

- ▶ **Jaga kebersihan dan pencahayaan area kerja.** Area yang berantakan atau gelap dapat memicu kecelakaan.
- ▶ **Jangan mengoperasikan perkakas listrik di lingkungan yang dapat memicu ledakan, seperti adanya cairan, gas, atau debu yang mudah terbakar.** Perkakas listrik dapat memancarkan bunga api yang kemudian mengakibatkan debu atau uap terbakar.
- ▶ **Jauhkan dari jangkauan anak-anak dan pengamat saat mengoperasikan perkakas listrik.** Gangguan dapat menyebabkan hilangnya kendali.

#### Keamanan listrik

- ▶ **Steker perkakas listrik harus sesuai dengan stopkontak. Jangan pernah memodifikasi steker. Jangan menggunakan steker adaptor bersama dengan perkakas listrik yang terhubung dengan sistem grounding.** Steker yang tidak dimodifikasi dan stopkontak yang cocok akan mengurangi risiko sengatan listrik.
- ▶ **Hindari kontak badan dengan permukaan yang terhubung dengan sistem grounding, seperti pipa, radiator, kompor, dan lemari es.** Terdapat peningkatan risiko terjadinya sengatan listrik jika badan Anda terhubung dengan sistem grounding.
- ▶ **Perkakas listrik tidak boleh terpapar hujan atau basah.** Air yang masuk ke dalam perkakas listrik menambah risiko terjadinya sengatan listrik.
- ▶ **Jangan menyalahgunakan kabel. Jangan gunakan kabel untuk membawa, menarik, atau melepas steker perkakas listrik. Jauhkan kabel dari panas, minyak, tepi yang tajam, atau komponen yang bergerak.** Kabel listrik yang rusak atau tersangkut menambah risiko terjadinya sengatan listrik.
- ▶ **Saat mengoperasikan perkakas listrik di luar ruangan, gunakan kabel ekstensi yang sesuai untuk penggunaan di luar ruangan.** Penggunaan kabel yang

cocok untuk pemakaian di luar ruangan mengurangi risiko terjadinya sengatan listrik.

- ▶ **Jika perkakas listrik memang harus dioperasikan di tempat yang lembap, gunakan pemutus arus listrik residu (RCD).** Penggunaan RCD akan mengurangi risiko terjadinya sengatan listrik.

#### Keselamatan personel

- ▶ **Tetap waspada, perhatikan aktivitas yang sedang dikerjakan dan gunakan akal sehat saat mengoperasikan perkakas listrik. Jangan gunakan perkakas listrik saat mengalami kelelahan atau di bawah pengaruh narkoba, alkohol, atau obat-obatan.** Jika perkakas listrik dioperasikan dengan daya konsentrasi yang rendah, hal tersebut dapat menyebabkan cedera serius.
- ▶ **Gunakan peralatan pelindung diri. Selalu kenakan pelindung mata.** Penggunaan perlengkapan pelindung seperti penutup telinga, helm, sepatu anti licin, dan masker debu akan mengurangi cedera.
- ▶ **Hindari start yang tidak disengaja. Pastikan switch berada di posisi off sebelum perkakas listrik dihubungkan ke sumber daya listrik dan/atau baterai, diangkat, atau dibawa.** Membawa perkakas listrik dengan jari menempel pada tombol atau perkakas listrik dalam keadaan hidup dapat memicu kecelakaan.
- ▶ **Singkirkan kunci penyetel atau kunci pas sebelum menghidupkan perkakas listrik.** Perkakas atau kunci pas yang masih menempel pada komponen perkakas listrik yang berputar dapat menyebabkan cedera.
- ▶ **Jangan melampaui batas. Berdirilah secara mantap dan selalu jaga keseimbangan.** Hal ini akan memberikan kontrol yang lebih baik terhadap perkakas listrik pada situasi yang tak terduga.
- ▶ **Kenakan pakaian dengan wajar. Jangan mengenakan perhiasan atau pakaian yang longgar. Jauhkan rambut dan pakaian dari komponen yang bergerak.** Pakaian yang longgar, rambut panjang, atau perhiasan dapat tersangkut dalam komponen yang bergerak.
- ▶ **Jika disediakan perangkat untuk sumpungan pengisapan debu dan alat pengumpulan, pastikan perangkat tersebut terhubung dan digunakan dengan benar.** Penggunaan alat pengumpulan dapat mengurangi bahaya yang disebabkan oleh debu.
- ▶ **Jangan berpuas diri dan mengabaikan prinsip keselamatan karena terbiasa mengoperasikan perkakas.** Tindakan yang kurang hati-hati dapat mengakibatkan cedera serius dalam waktu sepersekian detik.

#### Penggunaan dan pemeliharaan perkakas listrik

- ▶ **Jangan memaksakan perkakas listrik. Gunakan perkakas listrik yang sesuai untuk pekerjaan yang dilakukan.** Perkakas listrik yang sesuai akan bekerja dengan lebih baik dan aman sesuai tujuan penggunaan.
- ▶ **Jangan gunakan perkakas listrik dengan switch yang tidak dapat dioperasikan.** Perkakas listrik yang

switchnya yang tidak berfungsi dapat menimbulkan bahaya dan harus diperbaiki.

- ▶ **Lepaskan steker dari sumber listrik dan/atau lepas baterai, jika dapat dilepaskan dari perkakas listrik sebelum menyetel, mengganti aksesoris, atau menyimpan perkakas listrik.** Tindakan preventif akan mengurangi risiko menghidupkan perkakas listrik secara tidak disengaja.
- ▶ **Jauhkan dan simpan perkakas listrik dari jangkauan anak-anak dan jangan biarkan orang-orang yang tidak mengetahui cara menggunakan perkakas listrik, mengoperasikan perkakas listrik.** Perkakas listrik dapat membahayakan jika digunakan oleh orang-orang yang tidak terlatih.
- ▶ **Lakukan pemeliharaan perkakas listrik dan aksesoris. Periksa komponen yang bergerak apabila tidak lurus atau terikat, kerusakan komponen, dan kondisi lain yang dapat mengganggu pengoperasian perkakas listrik. Apabila rusak, perbaiki perkakas listrik sebelum digunakan.** Kecelakaan sering terjadi karena perkakas listrik tidak dirawat dengan baik.
- ▶ **Jaga ketajaman dan kebersihan alat.** Alat pemotong dengan pisau pemotong yang tajam dan dirawat dengan baik tidak akan mudah tersangkut dan lebih mudah dikendalikan.
- ▶ **Gunakan perkakas listrik, aksesoris, dan komponen perkakas dll sesuai dengan petunjuk ini, dengan mempertimbangkan kondisi kerja dan pekerjaan yang akan dilakukan.** Penggunaan perkakas listrik untuk tujuan berbeda dari fungsinya dapat menyebabkan situasi yang berbahaya.
- ▶ **Jaga gagang dan permukaan genggam agar tetap kering, bersih, dan bebas dari minyak dan lemak.** Gagang dan permukaan genggam yang licin tidak menjamin keamanan kerja dan kontrol alat yang baik pada situasi yang tidak terduga.

#### Servis

- ▶ **Minta teknisi berkualifikasi untuk menyervis perkakas listrik dengan hanya menggunakan suku cadang yang identik.** Dengan demikian, hal ini akan memastikan keamanan perkakas listrik.

#### Petunjuk keselamatan untuk gerinda

- ▶ **Pegang erat perkakas listrik dengan kedua tangan selama mengoperasikannya dan pastikan Anda berdiri di posisi aman.** Gunakan perkakas listrik dengan kedua tangan secara hati-hati.
- ▶ **Hanya gunakan perkakas listrik untuk melakukan penggerindaan kering.** Air yang masuk ke dalam perkakas listrik menambah risiko terjadinya kontak listrik.
- ▶ **Waspada terhadap risiko terbakar! Hindari benda kerja dan gerinda agar tidak menjadi terlalu panas. Kosongkan kontainer debu sebelum Anda menghentikan pekerjaan sementara.** Debu penggerindaan pada kantong debu, microfilter, kantong kertas (atau pada kantong filter atau filter pengisap debu)

dapat terbakar dengan sendirinya pada kondisi tertentu, misalnya akibat percikan api saat menggerinda logam. Khususnya, terdapat bahaya jika debu penggerindaan tercampur dengan sisa cat, sisa poliuretan, atau bahan kimia lainnya dan benda kerja dalam keadaan panas setelah penggerindaan dalam waktu yang lama.

- ▶ **Bersihkan lubang ventilasi pada perkakas listrik secara rutin.** Kipas angin motor menarik debu ke dalam rumahan dan debu logam dalam jumlah yang besar dan listrik bisa mengakibatkan bahaya.
- ▶ **Gunakan alat kerja dengan aman.** Benda yang ditahan dalam alat pemegang atau basis lebih aman daripada benda yang dipegang dengan tangan.
- ▶ **Tunggu perkakas listrik hingga berhenti sebelum meletakkannya.**

## Spesifikasi produk dan performa



**Bacalah semua petunjuk keselamatan dan petunjuk penggunaan.** Kesalahan dalam menjalankan petunjuk keselamatan dan petunjuk penggunaan dapat mengakibatkan kontak listrik, kebakaran, dan/atau luka-luka

yang berat.

Perhatikan ilustrasi yang terdapat pada sisi sampul panduan pengoperasian.

#### Ilustrasi komponen

Nomor-nomor dari bagian-bagian perkakas pada gambar sesuai dengan gambar perkakas listrik pada halaman bergambar.

- (1) Gagang tambahan (genggaman isolator)<sup>A)</sup>
- (2) Baut untuk gagang tambahan<sup>A)</sup>
- (3) Roda penyetel pemilihan awal jumlah getaran
- (4) Tombol on/off
- (5) Tombol pengunci untuk tombol on/off
- (6) Elemen filter (Microfilter System)
- (7) Kotak debu lengkap (Microfilter System)
- (8) Jepitan belakang
- (9) Tuas penjepit
- (10) Alas ampelas
- (11) Tuas penjepit
- (12) Jepitan depan
- (13) Gagang (genggaman isolator)
- (14) Kertas ampelas<sup>A)</sup>
- (15) Alat perforasi<sup>A)</sup>
- (16) Baut-baut untuk alas ampelas
- (17) Bantalan ampelas tipis, tambahan<sup>A)</sup>
- (18) Kertas ampelas, tambahan<sup>A)</sup>
- (19) Baut untuk kertas ampelas tambahan<sup>A)</sup>
- (20) Kertas ampelas, bentuk tiga sudut<sup>A)</sup>
- (21) Bantalan ampelas tiga sudut, tambahan<sup>A)</sup>

**(22)** Saluran pembuangan**(23)** Slang pengisap<sup>A)</sup>

A) **Aksesori yang ada pada gambar atau yang dijelaskan tidak termasuk dalam lingkup pengiriman standar. Semua aksesori yang ada dapat Anda lihat dalam program aksesori kami.**

**Data teknis**

| Mesin ampelas orbital                      |                   | GSS 230 AVE          | GSS 280 AVE          |
|--|-------------------|----------------------|----------------------|
| Nomor seri                                 |                   | <b>3 601 B92 8..</b> | <b>3 601 B92 9..</b> |
| Kotak debu yang termasuk pasokan           |                   | ●                    | ●                    |
| Pemilihan awal jumlah getaran              |                   | ●                    | ●                    |
| Input daya nominal                         | W                 | 300                  | 350                  |
| Kecepatan idle                             | min <sup>-1</sup> | 8000–11000           | 8000–11000           |
| Jumlah getaran kecepatan idle              | min <sup>-1</sup> | 16000–22000          | 16000–22000          |
| Diameter orbit                             | mm                | 2,4                  | 2,4                  |
| Ukuran daun ampelas                        |                   |                      |                      |
| – Kain perekat                             | mm                | 93 x 185             | 115 x 230            |
| – Tegangan jepit                           | mm                | 93 x 230             | 115 x 280            |
| Ukuran alas ampelas                        | mm                | 92 x 182             | 114 x 226            |
| Berat sesuai dengan EPTA-Procedure 01:2014 | kg                | 2,5                  | 2,8                  |
| Klasifikasi keamanan                       |                   | □/II                 | □/II                 |

Data-data berlaku untuk tegangan nominal [U] 230 V. Pada tegangan yang lebih rendah dan pada model khusus mancanegara data-data ini bisa berlainan.

**Cara memasang**

- ▶ **Sebelum mulai dengan pekerjaan pada perkakas listrik, tariklah steker dari stopkontak.**

**Pengisapan debu/serbuk**

Debu dari bahan-bahan seperti cat yang mengandung timbal, beberapa jenis kayu, bahan mineral dan logam dapat berbahaya bagi kesehatan. Menyentuh atau menghirup debu tersebut dapat mengakibatkan reaksi alergi dan/atau penyakit saluran pernapasan bagi pengguna atau orang yang berada di dekatnya.

Beberapa debu tertentu seperti misalnya debu kayu pohon ek atau pohon fagus silvatica dianggap dapat mengakibatkan penyakit kanker, terutama dalam campuran dengan bahan-bahan tambahan untuk pengolahan kayu (kromat, obat pengawet kayu). Bahan-bahan yang mengandung asbes hanya boleh dikerjakan oleh orang-orang yang ahli.

- Gunakanlah hanya pengisap debu yang cocok untuk mengisap bahan yang dikerjakan.
- Pastikan terdapat ventilasi udara yang baik di tempat kerja.
- Dianjurkan untuk memakai masker anti debu dengan filter kelas P2.

Taatilah peraturan-peraturan untuk bahan-bahan yang dikerjakan yang berlaku di negara Anda.

- ▶ **Hindari debu yang banyak terkumpul di tempat kerja.** Debu dapat tersulut dengan mudah.

**Ekstraksi otomatis dengan kotak debu (lihat gambar I–M)**

Dorong kotak debu **(7)** ke saluran pembuangan **(22)**. Putar kotak debu hingga celah kotak debu berada di ujung saluran pembuangan dan kotak debu terkunci.

Tingkat pengisian kotak debu **(7)** dapat dengan mudah dikontrol melalui wadah transparan.

Tarik **(7)** perlahan ke belakang dengan diputar untuk mengosongkan kotak debu.

Buka elemen filter **(6)** dan tarik keluar dari kotak debu **(7)**. Kosongkan kotak debu.

Ketuk ringan elemen filter **(6)** pada dasar yang kuat untuk menghilangkan debu. Bersihkan sirip elemen filter **(6)** dengan sikat lembut.

**Catatan:** Untuk menjamin ekstraksi debu yang optimal, kosongkan kotak debu **(7)** di waktu yang tepat dan bersihkan elemen filter **(6)** secara teratur.

Saat bekerja pada permukaan yang vertikal, pegang perkakas listrik sedemikian rupa sehingga kotak debu **(7)** menghadap ke bawah.

**Ekstraksi debu eksternal (lihat gambar N)**

Pasang slang pengisapan **(23)** pada saluran pembuangan **(22)**. Dorong (seperti terlihat pada gambar) slang pengisapan pada saluran pembuangan sehingga lubang samping pada saluran pembuangan tidak tertutup. Hal ini mencegah perkakas listrik terjatuh pada benda kerja selama pengerjaan dan memengaruhi kualitas permukaan benda kerja.

Sambungkan slang pengisap **(23)** dengan pengisap debu. Ikhtisar untuk menyambungkan berbagai pengisap debu dapat dilihat di bagian akhir panduan ini.

Mesin pengisap debu harus sesuai dengan bahan yang dikerjakan.

Gunakanlah mesin pengisap khusus saat mengisap debu yang sangat berbahaya bagi kesehatan, pemicu kanker, atau debu yang sangat kering.

Saat bekerja pada permukaan yang vertikal, pegang perkakas listrik sedemikian rupa sehingga slang pengisap menghadap ke bawah.

### Mengganti daun ampelas

Bersihkan kotoran dan debu pada bantalan ampelas **(10)** dengan sikat sebelum memasang kertas ampelas yang baru. Untuk menjamin ekstraksi debu yang optimal, pastikan lubang pada kertas ampelas sesuai dengan lubang bor pada bantalan ampelas.

#### Kertas ampelas dengan kain perekat (lihat gambar E)

Bantalan ampelas **(10)** dilengkapi dengan kain perekat sehingga kertas ampelas dapat dilekatkan dengan cepat dan mudah.

Tepuk kain perekat bantalan ampelas **(10)** sebelum memasang kertas ampelas **(14)** guna memungkinkan perekatan yang optimal.

Pasang kertas ampelas **(14)** pada sisi bantalan ampelas **(10)** secara merata, letakkan kertas ampelas di atas bantalan ampelas dan tekan dengan kuat.

Untuk melepas kertas ampelas **(14)** pegang kertas ampelas di satu titik dan tarik kertas ampelas dari bantalan ampelas **(10)**.

#### Kertas ampelas tanpa kain perekat (lihat gambar A-B)

Tekan tuas penjepit **(9)** ke bawah.

Gerakkan kertas ampelas **(14)** hingga maksimal di bawah jepitan belakang **(8)** yang terbuka dan lepaskan tuas penjepit **(9)**.

Buka tuas penjepit **(11)**.

Pasang kertas ampelas **(14)** dengan kencang ke bantalan ampelas. Arahkan ujung kertas ampelas **(14)** lainnya di bawah jepitan depan **(12)** yang terbuka dan tahan kertas ampelas dengan menutup tuas penjepit **(11)** dengan kencang.

Kertas ampelas yang tidak berlubang seperti seperti material gulungan atau meteran dapat dilubangi dengan alat perforasi **(15)** untuk membersihkan debu. Tekan alat perkakas dengan kertas ampelas yang terpasang pada alat perforasi (lihat gambar D).

Untuk melepas kertas ampelas **(14)**, buka tuas penjepit **(11)** dan tekan tuas penjepit **(9)** ke bawah. Tarikkan daun ampelas ke luar.

#### Memilih kertas ampelas

Tersedia berbagai jenis kertas ampelas menyesuaikan material yang dikerjakan dan penghalusan permukaan yang diinginkan :

| Butiran         |               |
|-----------------|---------------|
| <b>red:Wood</b> | <b>40-400</b> |

#### Pada pengerjaan semua bahan berbasis kayu

|  |       |        |
|--|-------|--------|
| Untuk mengampelas awal, misalnya balok dan papan yang kasar dan tidak rata | kasar | 40, 60 |
|--|-------|--------|

|   |        |              |
|---|--------|--------------|
| Untuk pengampelasan permukaan dan untuk meratakan permukaan yang tidak rata | sedang | 80, 100, 120 |
|---|--------|--------------|

|   |       |                    |
|---|-------|--------------------|
| Untuk mengampelas halus sampai selesai dan mengampelas halus kayu-kayu yang keras | halus | 180, 240, 320, 400 |
|---|-------|--------------------|

| Butiran            |               |
|--------------------|---------------|
| <b>white:Paint</b> | <b>40-320</b> |

#### Untuk mengerjakan lapisan cat/cat duko atau lapisan dasar seperti dempul cair dan dempul

|                         |       |        |
|-------------------------|-------|--------|
| Untuk mengikis cat lama | kasar | 40, 60 |
|-------------------------|-------|--------|

|                             |        |              |
|-----------------------------|--------|--------------|
| Untuk mengampelas cat dasar | sedang | 80, 100, 120 |
|-----------------------------|--------|--------------|

|  |       |               |
|--|-------|---------------|
| Untuk mengampelas halus cat dasar, sebelum mengecat lapisan terakhir | halus | 180, 240, 320 |
|--|-------|---------------|

**Catatan:** Untuk mencegah kertas ampelas rusak, gunakan hanya kertas ampelas dengan jumlah butiran mulai 80.

### Mengganti bantalan ampelas (lihat gambar F)

Bantalan ampelas **(10)** dapat diganti sesuai keperluan. Putar keenam baut **(16)** sepenuhnya dan lepaskan bantalan ampelas **(10)**. Pasang bantalan ampelas baru **(10)** dan kencangkan baut kembali.

### Alas ampelas yang khusus

Bantalan ampelas **(10)** yang disertakan dapat diganti dengan bantalan ampelas khusus yang tersedia sebagai aksesoris.

Cara memasang alas ampelas yang khusus adalah seperti cara mengganti alas ampelas yang dipasok bersama perkakas listrik.

Cara memasang dan melepaskan masing-masing daun ampelas adalah seperti cara mengganti daun ampelas yang asli.

#### Bantalan aksesoris tambahan, rectangular, tipis (lihat gambar G)

Penggunaan bantalan ampelas **(17)** tambahan rectangular, tipis memungkinkan proses pengampelasan di area yang sulit dijangkau dan pada celah ruang yang sempit seperti kisi jendela, kisi pintu, baut, atau selang radiator dan selang air. Untuk memasang bantalan ampelas **(17)** tambahan, rectangular, tipis, gunakan sekrup **(19)** yang sesuai.

**Bantalan ampelas tambahan, tiga sudut (lihat gambar H)**

Penggunaan bantalan ampelas (21) tambahan tiga sudut, memungkinkan proses pengampelasan di berbagai sudut dan tepi.

**Kertas ampelas halus (tanpa kain perekat) (lihat gambar A-B)**

Jika kebanyakan digunakan daun ampelas standar tanpa kait-kaitan, kami anjurkan supaya digunakan alas ampelas halus tanpa kait-kaitan. Berhubung permukaan alas ampelas halus adalah sangat datar, terutama pada pengampelasan halus dicapai hasil kerja yang sangat bagus.

**Gagang tambahan**

Gagang tambahan (1) memungkinkan penggunaan yang nyaman dan pembagian kekuatan yang merata, terutama pada proses pengampelasan yang berat.

Pasang gagang tambahan (1) dengan baut (2) pada housing.

**Penggunaan****Cara penggunaan**

- ▶ **Perhatikan tegangan listrik! Tegangan jaringan listrik harus sesuai dengan tegangan listrik yang tercantum pada label tipe perkakas listrik. Perkakas listrik dengan daya sebesar 230 V seperti yang diindikasikan pada label dapat juga dioperasikan pada daya 220 V.**

**Menghidupkan/mematikan perkakas listrik**

- ▶ **Pastikan bahwa Anda dapat mengoperasikan tombol untuk menghidupkan dan mematikan tanpa perlu melepaskan handle.**

Untuk **menyalakan** perkakas listrik, tekanlah switch on/off (4) dan tahan.

Untuk **mengunci** tombol on/off (4), tekan dan tahan tombol lalu tekan tombol kunci (5).

Untuk **menonaktifkan** perkakas listrik, lepaskan tombol on/off (4). Jika tombol on/off terkunci (4), tekan terlebih dahulu tombol tersebut, kemudian lepaskan.

**Penyetelan awal jumlah getaran**

Dengan roda penyetelan awal jumlah getaran (3), jumlah getaran yang diperlukan juga dapat disetel selama pengoperasian.

Banyaknya getaran yang diperlukan tergantung pada bahan yang dikerjakan dan syarat-syarat kerja dan dapat ditentukan dengan melakukan uji coba sebelumnya.

**Petunjuk pengoperasian**

- ▶ **Sebelum mulai dengan pekerjaan pada perkakas listrik, tariklah steker dari stopkontak.**
- ▶ **Tunggu perkakas listrik hingga berhenti sebelum meletakkannya.**

Pengikisan dan pola pengampelasan ditentukan oleh pemilihan kertas ampelas, tingkat jumlah getaran yang dipilih sebelumnya dan daya tekan.

Hanya kertas ampelas yang baik yang menghasilkan kinerja pengampelasan yang sempurna dan memelihara fungsi perkakas listrik.

Pastikan daya tekan selalu merata agar meningkatkan masa pakai kertas ampelas.

Menambah daya tekan tidak akan meningkatkan kinerja pengampelasan, melainkan hanya membuat perkakas listrik dan kertas ampelas menjadi aus.

Kertas ampelas yang telah digunakan untuk mengerjakan logam, tidak boleh digunakan untuk mengerjakan bahan-bahan lainnya.

Hanya gunakan aksesoris asli dari Bosch.

**Perawatan dan servis****Perawatan dan pembersihan**

- ▶ **Sebelum mulai dengan pekerjaan pada perkakas listrik, tariklah steker dari stopkontak.**
- ▶ **Perkakas listrik dan lubang ventilasi harus selalu dibersihkan agar perkakas dapat digunakan dengan baik dan aman.**

Jika kabel listrik harus diganti, pekerjaan ini harus dilakukan oleh Bosch atau Service Center untuk perkakas listrik Bosch yang resmi, agar keselamatan kerja selalu terjamin.

**Layanan pelanggan dan konsultasi penggunaan**

Layanan pelanggan Bosch menjawab semua pertanyaan Anda tentang reparasi dan perawatan serta tentang suku cadang produk ini. Gambaran teknis (exploded view) dan informasi mengenai suku cadang dapat ditemukan di:

**[www.bosch-pt.com](http://www.bosch-pt.com)**

Tim konsultasi penggunaan Bosch akan membantu Anda menjawab pertanyaan seputar produk kami beserta aksesorinya.

**[www.powertool-portal.de](http://www.powertool-portal.de)**, portal internet untuk perajin dan tukang.

Jika Anda hendak menanyakan sesuatu atau memesan suku cadang, selalu sebutkan nomor model yang terdiri atas 10 angka dan tercantum pada label tipe produk.

**Indonesia**

PT Robert Bosch  
Palma Tower 10th Floor  
Jalan RA Kartini II-S Kaveling 6  
Pondok Pinang, Kebayoran Lama  
Jakarta Selatan 12310  
Tel.: (021) 3005 5800  
Fax: (021) 3005 5801  
E-Mail: [boschpowertools@id.bosch.com](mailto:boschpowertools@id.bosch.com)  
[www.bosch-pt.co.id](http://www.bosch-pt.co.id)

**Cara membuang**

Perkakas listrik, aksesoris, dan kemasan sebaiknya didaur ulang secara ramah lingkungan.



Jangan membuang perkakas listrik ke dalam sampah rumah tangga!

## Tiếng Việt

### Hướng dẫn an toàn

#### Hướng dẫn an toàn chung cho dụng cụ điện

**⚠ CẢNH BÁO** Hãy đọc toàn bộ các cảnh báo an toàn, hướng dẫn, hình ảnh và thông số kỹ thuật được cung cấp cho dụng cụ điện cầm tay này. Không tuân thủ mọi hướng dẫn được liệt kê dưới đây có thể bị điện giật, gây cháy và /hay bị thương tật nghiêm trọng. **Hãy giữ tất cả tài liệu về cảnh báo và hướng dẫn để tham khảo về sau.**

Thuật ngữ "dụng cụ điện cầm tay" trong phần cảnh báo là để cập đến sự sử dụng dụng cụ điện cầm tay của bạn, loại sử dụng điện nguồn (có dây cắm điện) hay vận hành bằng pin (không dây cắm điện).

#### Khu vực làm việc an toàn

- ▶ **Giữ nơi làm việc sạch và đủ ánh sáng.** Nơi làm việc bừa bộn và tối tăm dễ gây ra tai nạn.
- ▶ **Không vận hành dụng cụ điện cầm tay trong môi trường dễ gây nổ, chẳng hạn như nơi có chất lỏng dễ cháy, khí đốt hay rác.** Dụng cụ điện cầm tay tạo ra các tia lửa nên có thể làm rác bén cháy hay bốc khói.
- ▶ **Không để trẻ em hay người đến xem đứng gần khi vận hành dụng cụ điện cầm tay.** Sự phân tâm có thể gây ra sự mất điều khiển.

#### An toàn về điện

- ▶ **Phích cắm của dụng cụ điện cầm tay phải thích hợp với ổ cắm.** Không bao giờ được cải biến lại phích cắm dưới mọi hình thức. Không được sử dụng phích tiếp hợp nối tiếp đất (dây mát). Phích cắm nguyên bản và ổ cắm đúng loại sẽ làm giảm nguy cơ bị điện giật.
- ▶ **Tránh không để thân thể tiếp xúc với đất hay các vật có bề mặt tiếp đất như đường ống, lò sưởi, hàng rào và tủ lạnh.** Có nhiều nguy cơ bị điện giật hơn nếu cơ thể bạn bị tiếp hay nối đất.
- ▶ **Không được để dụng cụ điện cầm tay ngoài mưa hay ở tình trạng ẩm ướt.** Nước vào máy sẽ làm tăng nguy cơ bị điện giật.
- ▶ **Không được lạm dụng dây dẫn điện.** Không bao giờ được nắm dây dẫn để xách, kéo hay rút phích cắm dụng cụ điện cầm tay. Không để dây gần nơi có nhiệt độ cao, dầu nhớt, vật nhọn bén và bộ phận chuyển động. Làm hỏng hay cuộn rối dây dẫn làm tăng nguy cơ bị điện giật.
- ▶ **Khi sử dụng dụng cụ điện cầm tay ngoài trời, dùng dây nối thích hợp cho việc sử dụng ngoài trời.** Sử dụng dây nối thích hợp cho việc sử dụng ngoài trời làm giảm nguy cơ bị điện giật.

- ▶ **Nếu việc sử dụng dụng cụ điện cầm tay ở nơi ẩm ướt là không thể tránh được, dùng thiết bị ngắt mạch tự động (RCD) bảo vệ nguồn.** Sử dụng thiết bị ngắt mạch tự động RCD làm giảm nguy cơ bị điện giật.

#### An toàn cá nhân

- ▶ **Hãy tỉnh táo, biết rõ mình đang làm gì và hãy sử dụng ý thức khi vận hành dụng cụ điện cầm tay.** Không sử dụng dụng cụ điện cầm tay khi đang mệt mỏi hay đang bị tác động do chất gây nghiện, rượu hay dược phẩm gây ra. Một thoáng mất tập trung khi đang vận hành dụng cụ điện cầm tay có thể gây thương tích nghiêm trọng cho bản thân.
  - ▶ **Sử dụng trang bị bảo hộ cá nhân.** Luôn luôn đeo kính bảo vệ mắt. Trang bị bảo hộ như khẩu trang, giày chống trượt, nón bảo hộ, hay dụng cụ bảo vệ tai khi được sử dụng đúng nơi đúng chỗ sẽ làm giảm nguy cơ thương tật cho bản thân.
  - ▶ **Phòng tránh máy khởi động bất ngờ.** Bảo đảm công tắc máy ở vị trí tắt trước khi cắm vào nguồn điện và/hay lắp pin vào, khi nhấn máy lên hay khi mang xách máy. Ngáng ngón tay vào công tắc máy để xách hay kích hoạt dụng cụ điện cầm tay khi công tắc ở vị trí mở dễ dẫn đến tai nạn.
  - ▶ **Lấy mọi chìa hay khóa điều chỉnh ra trước khi mở điện dụng cụ điện cầm tay.** Khóa hay chìa còn gắn dính vào bộ phận quay của dụng cụ điện cầm tay có thể gây thương tích cho bản thân.
  - ▶ **Không rướn người.** Luôn luôn giữ tư thế đứng thích hợp và thăng bằng. Điều này tạo cho việc điều khiển dụng cụ điện cầm tay tốt hơn trong mọi tình huống bất ngờ.
  - ▶ **Trang phục thích hợp.** Không mặc quần áo rộng thùng thình hay mang trang sức. Giữ tóc và quần áo xa khỏi các bộ phận chuyển động. Quần áo rộng thùng thình, đồ trang sức hay tóc dài có thể bị cuốn vào các bộ phận chuyển động.
  - ▶ **Nếu có các thiết bị đi kèm để nối máy hút bụi và các phụ kiện khác, bảo đảm các thiết bị này được nối và sử dụng tốt.** Việc sử dụng các thiết bị gom hút bụi có thể làm giảm các độc hại liên quan đến bụi gây ra.
  - ▶ **Không để thói quen do sử dụng thường xuyên dụng cụ khiến bạn trở nên chủ quan và bỏ qua các quy định an toàn dụng cụ.** Một hành vi bất cẩn có thể gây ra thương tích nghiêm trọng chỉ trong tích tắc.
- Sử dụng và bảo dưỡng dụng cụ điện cầm tay**
- ▶ **Không được ép máy.** Sử dụng dụng cụ điện cầm tay đúng loại theo đúng ứng dụng của bạn. Dụng cụ điện cầm tay đúng chức năng sẽ



làm việc tốt và an toàn hơn theo đúng tiến độ mà máy được thiết kế.

- ▶ **Không sử dụng dụng cụ điện cầm tay nếu như công tắc không tắt và mở được.** Bất kỳ dụng cụ điện cầm tay nào mà không thể điều khiển được bằng công tắc là nguy hiểm và phải được sửa chữa.
- ▶ **Rút phích cắm ra khỏi nguồn điện và/hay pin ra khỏi dụng cụ điện cầm tay nếu có thể tháo được, trước khi tiến hành bất kỳ điều chỉnh nào, thay phụ kiện, hay cất dụng cụ điện cầm tay.** Các biện pháp ngăn ngừa như vậy làm giảm nguy cơ dụng cụ điện cầm tay khởi động bất ngờ.
- ▶ **Cất giữ dụng cụ điện cầm tay không dùng tới nơi trẻ em không lấy được và không cho người chưa từng biết dụng cụ điện cầm tay hay các hướng dẫn này sử dụng dụng cụ điện cầm tay.** Dụng cụ điện cầm tay nguy hiểm khi ở trong tay người chưa được chỉ cách sử dụng.
- ▶ **Bảo quản dụng cụ điện cầm tay và các phụ kiện.** Kiểm tra xem các bộ phận chuyển động có bị sai lệch hay kẹt, các bộ phận bị rạn nứt và các tình trạng khác có thể ảnh hưởng đến sự vận hành của máy. Nếu bị hư hỏng, phải sửa chữa máy trước khi sử dụng. Nhiều tai nạn xảy ra do bảo quản dụng cụ điện cầm tay tồi.
- ▶ **Giữ các dụng cụ cất bện và sạch.** Bảo quản đúng cách các dụng cụ cất có cạnh cất bện làm giảm khả năng bị kẹt và dễ điều khiển hơn.
- ▶ **Sử dụng dụng cụ điện cầm tay, phụ kiện, đầu cài v. v., đúng theo các chỉ dẫn này, hãy lưu ý đến điều kiện làm việc và công việc phải thực hiện.** Sự sử dụng dụng cụ điện cầm tay khác với mục đích thiết kế có thể tạo nên tình huống nguy hiểm.
- ▶ **Giữ tay cầm và bề mặt nắm luôn khô ráo, sạch sẽ và không dính dầu mỡ.** Tay cầm và bề mặt nắm trơn trượt không đem lại thao tác an toàn và kiểm soát dụng cụ trong các tình huống bất ngờ.

#### Bảo dưỡng

- ▶ **Đưa dụng cụ điện cầm tay của bạn đến thợ chuyên môn để bảo dưỡng, chỉ sử dụng phụ tùng đúng chủng loại để thay.** Điều này sẽ đảm bảo sự an toàn của máy được giữ nguyên.

#### Các hướng dẫn an toàn cho máy mài

- ▶ **Giữ máy thật chắc bằng cả hai tay trong khi làm việc và luôn luôn giữ tư thế đứng cho thích hợp và cân bằng.** Dùng hai tay để điều khiển máy thì an toàn hơn.
- ▶ **Chỉ sử dụng dụng cụ điện để mài khô.** Nước vào máy sẽ làm tăng nguy cơ bị điện giật.

- ▶ **Chú ý nguy cơ cháy! Tránh quá nhiệt vật liệu mài và máy mài. Luôn xả rỗng thùng chứa bụi trước khi tạm dừng làm việc.** Bụi mài trong túi chứa bụi, bộ vi lọc, túi giấy (hoặc trong bộ lọc kiểu túi hoặc bộ lọc của máy hút bụi) có thể tự đánh lửa dưới các điều kiện không phù hợp, như tia lửa điện bay ra khi mài kim loại. Có nguy hiểm đặc biệt, nếu bụi mài trộn với các cặn sơn, cặn polyurethane hoặc những chất hóa học khác và vật liệu mài nóng lên sau thời gian dài hoạt động.
- ▶ **Thường xuyên làm sạch các khe thông gió của dụng cụ điện.** Quạt gió mô tơ sẽ kéo bụi nằm trong vỏ máy ra và sự tích tụ quá nhiều bột kim loại có thể gây nên các nguy hiểm về điện.
- ▶ **Kẹp chặt vật gia công.** Vật gia công được kẹp bằng một thiết bị kẹp hay bằng ê-tô thì vững chắc hơn giữ bằng tay.
- ▶ **Luôn luôn đợi cho máy hoàn toàn ngừng hẳn trước khi đặt xuống.**

## Mô Tả Sản Phẩm và Đặc Tính Kỹ Thuật



**Đọc kỹ mọi cảnh báo an toàn và mọi hướng dẫn.** Không tuân thủ mọi cảnh báo và hướng dẫn được liệt kê dưới đây có thể bị điện giật, gây cháy và / hay bị thương tật nghiêm trọng.

Xin lưu ý các hình minh hoạt trong phần trước của hướng dẫn vận hành.

#### Các bộ phận được minh họa

Sự đánh số các biểu trưng của sản phẩm là để tham khảo hình minh họa của máy trên trang hình ảnh.

- (1) Tay nắm phụ (có bề mặt nắm cách điện)<sup>A)</sup>
- (2) Vít của tay nắm phụ<sup>A)</sup>
- (3) Núm vận hành dùng chọn trước tần suất xoay tròn
- (4) Công tắc Tắt/Mở
- (5) Nút khoá giữ chế độ tự-chạy của công tắc Tắt/Mở
- (6) Bộ phận lọc (Microfilter System)
- (7) Hộp chứa bụi, nguyên bộ (Microfilter System)
- (8) Gọng kẹp sau
- (9) Cần khóa giữ cố định
- (10) Đế chà
- (11) Cần khóa giữ cố định
- (12) Gọng kẹp trước
- (13) Tay nắm (bề mặt nắm cách điện)
- (14) Giấy nhám<sup>A)</sup>
- (15) Dụng cụ đục lỗ<sup>A)</sup>
- (16) Vít vận đế chà
- (17) Đế chà mỏng, kéo dài<sup>A)</sup>



- (18) Giấy nhám, kéo dài <sup>A)</sup>
- (19) Vít dùng cho đế chà kéo dài <sup>A)</sup>
- (20) Giấy nhám, hình tam giác <sup>A)</sup>
- (21) Đế chà hình tam giác, kéo dài <sup>A)</sup>
- (22) Lỗ thoát

- (23) Ống hút <sup>A)</sup>

A) Phụ tùng được trình bày hay mô tả không phải là một phần của tiêu chuẩn hàng hóa được giao kèm theo sản phẩm. Bạn có thể tham khảo tổng thể các loại phụ tùng, phụ kiện trong chương trình phụ tùng của chúng tôi.

## Thông số kỹ thuật

| Máy chà nhám xoay                                 |                   | GSS 230 AVE   | GSS 280 AVE   |
|---|-------------------|---------------|---------------|
| Mã số máy   |                   | 3 601 B92 8.. | 3 601 B92 9.. |
| Hàng được giao bao gồm hộp đựng bụi               |                   | ●             | ●             |
| Sự chọn trước tốc độ của hành trình xoay tròn     |                   | ●             | ●             |
| Công suất vào danh định                           | W                 | 300           | 350           |
| Tốc độ không tải                                  | min <sup>-1</sup> | 8000–11000    | 8000–11000    |
| Tần suất vòng xoay                                | min <sup>-1</sup> | 16000–22000   | 16000–22000   |
| Đường kính mạch dao động                          | mm                | 2,4           | 2,4           |
| Kích cỡ giấy nhám                                 |                   |               |               |
| – Khóa dán  | mm                | 93 x 185      | 115 x 230     |
| – Điện áp đầu cuối                                | mm                | 93 x 230      | 115 x 280     |
| Kích cỡ đế chà                                    | mm                | 92 x 182      | 114 x 226     |
| Trọng lượng theo Quy trình EPTA-Procedure 01:2014 | kg                | 2,5           | 2,8           |
| Cấp độ bảo vệ                                     |                   | □/ II         | □/ II         |

Các giá trị đã cho có hiệu lực cho điện thế danh định [U] 230 V. Đối với điện thế thấp hơn và các loại máy dành riêng cho một số quốc gia, các giá trị này có thể thay đổi.

## Sự lắp vào

- ▶ Trước khi tiến hành bất cứ việc gì trên máy, kéo phích cắm điện nguồn ra.

### Hút Dăm/Bụi

Mạt bụi từ các vật liệu được sơn phủ ngoài có chứa chì trên một số loại gỗ, khoáng vật và kim loại có thể gây nguy hại đến sức khỏe con người. Đụng chạm hay hít thở các bụi này có thể làm người sử dụng hay đứng gần bị dị ứng và/hoặc gây nhiễm trùng hệ hô hấp.

Một số hạt bụi cụ thể, ví dụ như bụi gỗ sồi hay đậu, được xem là chất gây ung thư, đặc biệt là có liên quan đến các chất phụ gia dùng xử lý gỗ (chất cromat, chất bảo quản gỗ). Có thể chỉ nên để thợ chuyên môn gia công các loại vật liệu có chứa amiăng.

- Cách xa ở mức có thể được, sử dụng hệ thống hút thích hợp cho loại vật liệu.
- Tạo không khí thông thoáng nơi làm việc.
- Khuyến nghị nên mang mặt nạ phòng độc có bộ lọc cấp P2.

Tuân thủ các qui định của quốc gia bạn liên quan đến loại vật liệu gia công.

- ▶ **Tránh không để rác tích tụ tại nơi làm việc.**  
Rác có thể dễ dàng bắt lửa.

### Hệ Thống Hút Bụi Tích Hợp có hộp đựng bụi (xem hình ảnh I–M)

Vặn hộp đựng bụi (7) vào vòi xả (22). Xoay hộp chứa bụi theo cách sao cho các phần lõm vào của hộp chứa bụi áp mặt vào đầu miệng lỗ thoát thải, và nhận biết được khi hộp chứa bụi được lắp vào ăn khớp.

Mức đầy của hộp đựng bụi (7) có thể được kiểm tra dễ dàng bằng bình chứa trong suốt.

Để xả rỗng hộp đựng bụi (7) hãy xoay nhẹ về phía sau.

Hãy xoay ruột bộ lọc (6) lên và rút ra khỏi hộp đựng bụi (7). Làm sạch hộp đựng bụi.

Gõ nhẹ vào ruột bộ lọc (6) trên một giá đỡ cố định, để loại bỏ bụi. Hãy vệ sinh các bản mỏng của ruột bộ lọc (6) bằng bàn chải mềm.

**Hướng dẫn:** Để đảm bảo hút bụi tối ưu, hãy xả rỗng hộp đựng bụi (7) đúng lúc và vệ sinh thường xuyên ruột bộ lọc (6).

Khí gia công bề mặt thẳng đứng, nắm dụng cụ điện cách sao cho hộp đựng bụi (7) hướng xuống.

### Hút bụi bên ngoài (xem hình N)

Cắm ống hút (23) vào vòi xả (22). Gắn vòi hút vào trên lỗ thoát thải (như trình bày trong hình) cách sao cho phần trống bên của lỗ thoát vẫn được giữ nguyên. Điều này giữ cho dụng cụ điện không bị hút

chặt vào vật gia công trong lúc chà nhám và chất lượng bề mặt vật gia công không bị làm hư hại.

Nối ống hút (23) với một chiếc máy hút bụi. Ở phần cuối của tài liệu hướng dẫn này bạn sẽ tìm thấy phần tổng quan về việc kết nối ở các máy hút bụi khác nhau.

Máy hút bụi phải thích hợp dành cho loại vật liệu đang gia công.

Khi hút bụi khô loại đặc biệt gây nguy hại đến sức khỏe hoặc gây ra ung thư, hãy sử dụng máy hút bụi loại chuyên dụng.

Khi gia công bề mặt thẳng đứng, nắm dụng cụ điện cách sao cho vòi hút hướng xuống.

### Thay Giấy Nhám

Trước khi dùng một tờ giấy nhám mới, hãy loại bỏ bụi bẩn khỏi giấy nhám (10), ví dụ bằng bàn chải.

Để đảm bảo hút bụi tối ưu, hãy lưu ý rằng lỗ đột trên giấy nhám phải khớp với các lỗ khoan trên đế chà.

#### Giấy nhám có khóa dán (xem hình E)

Đế chà (10) được trang bị một sợi băng dán xe, để bạn có thể gắn giấy nhám có khóa dán một cách nhanh chóng và dễ dàng.

Hãy gỡ nhẹ sợi băng dán của đế chà (10) trước khi đặt giấy nhám (14), để tạo độ bám tối ưu.

Hãy đặt chính xác giấy nhám (14) trên một mặt của đế chà (10), sau đó cố định giấy nhám lên đế chà và ấn chặt xuống.

Để gỡ giấy nhám (14) hãy cầm vào đầu nhọn và kéo ra khỏi đế chà (10).

#### Giấy nhám không có khóa dán (xem Hình A–B)

Ấn cần khóa giữ cố định (9) xuống.

Luồn giấy nhám (14) xuống bên dưới gong kẹp sau đã mở đến khi chạm cỡ chặn (8) và nhả cần khóa giữ cố định (9).

Mở cần khóa giữ cố định (11).

Đặt giấy nhám (14) lên đế chà sao cho thật căng.

Luồn đầu kia của giấy nhám (14) xuống bên dưới gong kẹp trước đã mở (12) và căng giấy nhám bằng cách đóng cần khóa giữ cố định (11).

Bạn có thể đục lỗ cho các loại giấy nhám không có lỗ, ví dụ như loại tấm hoặc cuộn bằng dụng cụ đục lỗ (15) để hút bụi. Ấn dụng cụ điện đã lắp giấy nhám vào dụng cụ đục lỗ (xem Hình D).

Để gỡ giấy nhám (14), hãy mở cần khóa giữ cố định (11) và ấn cần khóa (9) xuống. Kéo giấy nhám ra.

#### Chọn Loại Giấy Nhám

Tùy theo loại vật liệu được gia công và yêu cầu về khả năng chà bề mặt, có thể mua ngoài thị trường nhiều loại giấy nhám khác nhau:

#### Kích Cỡ Hạt

**red:Wood**

40–400

#### Kích Cỡ Hạt

##### Đế gia công tất cả các loại vật liệu gỗ

|  |            |                    |
|--|------------|--------------------|
| Để mài sơ bộ, ví dụ mài các thanh và tấm ván thô | thô        | 40, 60             |
| Để mài bề mặt và làm phẳng những chỗ gỗ ghe nhỏ  | trung bình | 80, 100, 120       |
| Chà hoàn thiện và chà tinh các loại gỗ cứng      | tinh       | 180, 240, 320, 400 |

##### White:Paint

40–320

##### Để thao tác với sơn/lớp men hay sơn lót và chất trám

|  |            |               |
|--|------------|---------------|
| Chà cho bong tróc sơn                    | thô        | 40, 60        |
| Chà sơn lót                              | trung bình | 80, 100, 120  |
| Chà hoàn thiện sơn lót trước khi sơn phủ | tinh       | 180, 240, 320 |

**Lưu ý:** Để tránh làm rách giấy nhám, chỉ sử dụng loại giấy nhám có kích cỡ hạt là 80.

### Thay đế chà (xem Hình F)

Có thể thay đế chà (10) nếu cần.

Tháo hẳn 6 vít (16) và nhấc đế chà ra (10). Đặt đế chà mới (10) vào và xiết chặt các vít lại.

### Đế Chà Chuyên Biệt

Bạn có thể thay các đế chà đi kèm (10) bằng đế chà chuyên biệt được cung cấp dưới dạng phụ kiện.

Đế chà chuyên biệt được lắp ráp cùng một cách thức như loại đế chà được cung cấp.

Lắp hay tháo giấy nhám cùng một cách thức như khi thay loại giấy nhám nguyên bản.

#### Đế chà kéo dài, hình chữ nhật, mỏng (xem hình G)

Sử dụng đế chà chữ nhật, mỏng, kéo dài (17) cho phép bạn chà được các vị trí khó tiếp cận và những khe hẹp, ví dụ như chớp cửa hoặc chớp cửa sổ, rãnh hoặc ống lò sưởi và ống nước.

Để lắp đế chà chữ nhật, mỏng, kéo dài (17), hãy sử dụng vít đi kèm (19).

#### Đế chà kéo dài, hình tam giác (xem Hình H)

Sử dụng đế chà kéo dài hình tam giác (21) cho phép bạn chà được ở góc và cạnh.

#### Đế chà dùng để hoàn thiện (không có khóa dán) (xem Hình A–B)

Khi vận hành chủ yếu với các loại giấy nhám tiêu chuẩn không khóa dán, xin khuyến nghị nên sử dụng đế chà dùng để hoàn thiện, loại không khóa dán. Nhờ bề mặt của đế chà phẳng nên đạt được hiệu quả gia công tốt nhất, đặc biệt là đế chà hoàn thiện.

## Tay nắm phụ

Tay nắm phụ (1) cho phép thao tác thuận tiện và phân bố lực tối ưu, đặc biệt là khi có nhiều mảnh vụn.

Hãy gắn chặt tay nắm phụ (1) vào vỏ bằng vít (2).

## Vận Hành

### Bắt Đầu Vận Hành

- ▶ **Hãy cẩn thận với nguồn điện! Điện thế nguồn phải đúng với điện thế đã ghi rõ trên nhãn máy. Dụng cụ điện được ghi 230 V cũng có thể được vận hành ở 220 V.**

### Bật Mở và Tắt

- ▶ **Hãy đảm bảo rằng, bạn có thể nhấn Công tắc bật/tắt, mà không cần nhả tay nắm.**

Để **Bật** dụng cụ điện, hãy bấm công tắc Tắt/Mở (4) và vừa bấm vừa giữ.

Để **khóa** công tắc bật/tắt (4) hãy nhấn giữ nó và nhấn thêm nút khóa giữ chế độ tự-chạy (5).

Để **tắt** dụng cụ điện cầm tay hãy nhả công tắc bật/tắt (4). Khi công tắc bật/tắt bị khóa (4) hãy nhấn nó và sau đó nhả ra.

### Chọn trước tốc độ của hành trình xoay tròn

Với núm vặn khóa dùng chọn trước tần suất xoay tròn (3) bạn có thể chọn trước tốc độ của hành trình xoay tròn cần thiết trong khi vận hành.

Tốc độ của hành trình xoay tròn theo yêu cầu tùy thuộc vào loại vật liệu và điều kiện gia công và có thể xác định được thông qua thực tế thử nghiệm.

### Hướng Dẫn Sử Dụng

- ▶ **Trước khi tiến hành bất cứ việc gì trên máy, kéo phích cắm điện nguồn ra.**
- ▶ **Luôn luôn đợi cho máy hoàn toàn ngừng hẳn trước khi đặt xuống.**

Tốc độ gia công chà và cách thức chà được quyết định từ việc lựa chọn giấy nhám, sự chính đặt trước mức chuyển động qua lại và lực áp dụng.

Chỉ có giấy nhám không bị hư hỏng mới cho năng suất chà nhám tốt và kéo dài tuổi thọ của máy.

Hãy lưu ý việc đặt lực áp lên máy để chà phải đồng đều; điều này làm tăng độ bền của giấy nhám.

Tạo lực đè thật mạnh lên máy để chà không làm tăng năng suất chà, nhưng lại làm tăng sự hao mòn của máy và giấy nhám.

Giấy nhám đã được dùng để chà kim loại không nên sử dụng để chà các loại vật liệu khác.

Chỉ nên sử dụng các phụ kiện chà nhám chính hãng Bosch.

## Bảo Dưỡng và Bảo Quản

### Bảo Dưỡng Và Làm Sạch

- ▶ **Trước khi tiến hành bất cứ việc gì trên máy, kéo phích cắm điện nguồn ra.**
- ▶ **Để được an toàn và máy hoạt động đúng chức năng, luôn luôn giữ máy và các khe thông gió được sạch.**

Nếu như cần phải thay dây dẫn điện thì công việc này phải do hãng Bosch, hay một đại lý được Bosch ủy nhiệm thực hiện để tránh gặp sự nguy hiểm do mất an toàn.

### Dịch vụ hỗ trợ khách hàng và tư vấn sử dụng

Bộ phận phục vụ hàng sau khi bán của chúng tôi trả lời các câu hỏi liên quan đến việc bảo dưỡng và sửa chữa các sản phẩm cũng như phụ tùng thay thế của bạn. Sơ đồ mô tả và thông tin về phụ tùng thay thế cũng có thể tra cứu theo dưới đây:

[www.bosch-pt.com](http://www.bosch-pt.com)

Đội ngũ tư vấn sử dụng của Bosch sẽ giúp bạn giải đáp các thắc mắc về sản phẩm và phụ kiện.

[www.powertool-portal.de](http://www.powertool-portal.de), cổng thông tin điện tử cho thợ thủ công và người làm việc vặt.

Trong tất cả các phản hồi và đơn đặt phụ tùng, xin vui lòng luôn luôn nhập số hàng hóa 10 chữ số theo nhãn của hàng hóa.

### Việt Nam

CN CÔNG TY TNHH BOSCH VIỆT NAM TẠI TP.HCM

Tầng 14, Ngôi Nhà Đức, 33 Lê Duẩn

Phường Bến Nghé, Quận 1, Thành Phố Hồ Chí Minh

Tel.: (028) 6258 3690

Fax: (028) 6258 3692 - 6258 3694

Hotline: (028) 6250 8555

Email: [tuvankhachhang-pt@vn.bosch.com](mailto:tuvankhachhang-pt@vn.bosch.com)

[www.bosch-pt.com.vn](http://www.bosch-pt.com.vn)

[www.baohanhbosch-pt.com.vn](http://www.baohanhbosch-pt.com.vn)

### Campuchia

Công ty TNHH Robert Bosch (Campuchia)

Đơn nguyên 8BC, GT Tower, Tầng 08,

Đường 169, Tiệp Khắc Blvd, Sangkat Veal Vong,

Khan 7 Makara, Phnom Penh

VAT TIN: 100 169 511

Tel.: +855 23 900 685

Tel.: +855 23 900 660

[www.bosch.com.kh](http://www.bosch.com.kh)

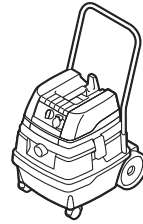
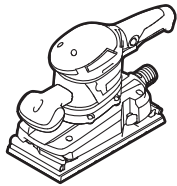
### Sự thải bỏ

Máy, linh kiện và bao bì phải được phân loại để tái chế theo hướng thân thiện với môi trường.



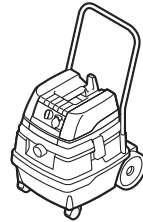
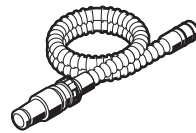
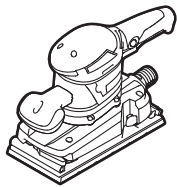
Không được thải bỏ dụng cụ điện vào chung với rác sinh hoạt!





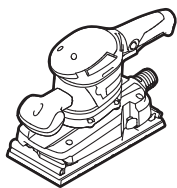
Ø 19 mm  
 3 m 2 607 002 161  
 5 m 2 607 002 162

GAS 25  
 GAS 50  
 GAS 50 M



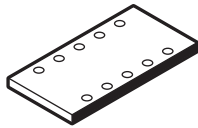
Ø 19 mm  
 3 m 2 600 793 009  
 5 m 1 610 793 002

GAS 25  
 GAS 50  
 GAS 50 M



GAS 15 L





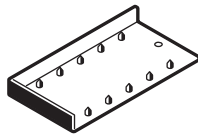
**GSS 230:**  
2 608 000 213

**GSS 280:**  
2 608 000 215



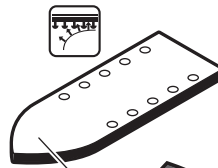
**GSS 230:**  
2 608 000 202

**GSS 280:**  
2 608 000 204



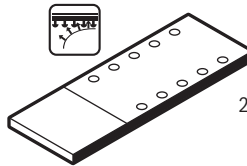
**GSS 230:**  
2 608 190 016

**GSS 280:**  
2 608 190 017

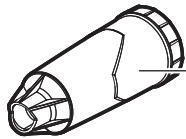


**GSS 230:**  
2 608 000 189

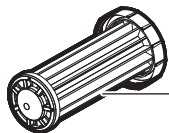
P 40 – P 400



2 608 000 190



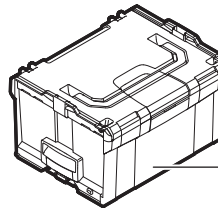
2 605 411 233



2 605 190 930



2 602 026 177



**L-BOXX ...**  
2 608 438 693