

1

2

3

4

5

6

A

A

B

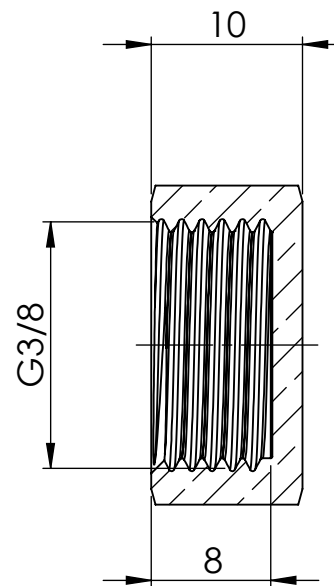
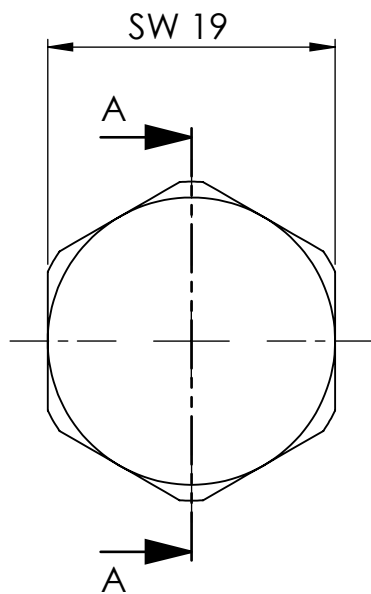
B

C

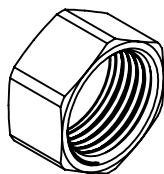
C

D

D



SCHNITT A-A



| | | | | | |
|--|--|-------------------------------|--|-------------------|--------|
| | | Maßstab / Scale: 2:1 | | Gewicht / Weight: | |
| | | Material: CW 614N (CuZn39Pb3) | | | |
| | | Benennung / Designation: | | | |
| | | Verschlusskappe | | | |
| | | Closing cap | | | |
| | | Artikelnummer / item number: | | Status | Format |
| | | 137893 | | 1 | A4 |
| | | | | | |



1

2

3

4

5

6